

ELECTRONIC ACTUATOR

STEP-TOP ELECTRONIC ACTUATOR

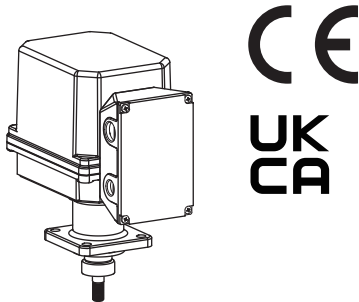
(Linear type with Auto-setup function; Modbus communication)

Functions & Features

- Equipped stepping motor for drive motor.
- High-speed operation control (1/1000 high resolution)
- Auto set-up
- Both Modbus-RTU communication and analog signal can use
- USB (CONFIG-Type-C), PU-2x jack, and DIP switches
- Disc spring with buffer for both upper/lower end incorporated
- Equipped terminal box standardly (LEDs can be visually checked from outside)

Typical Applications

- Actuator for automatic control valve in various plants and industries
- Electronic actuator for fuel cell system and refrigerating machines



MODEL: PSP20-[1][2][3]-[4]CR[5]

ORDERING INFORMATION

- Code number: PSP20-[1][2][3]-[4]CR[5]
- Specify a code from below for each of [1] through [5]. (e.g. PSP20-A1A-ACR/Q)
- Specify the specification for option code /Q (e.g. /C03/SET)

■ FACTORY DEFAULT SETTING

ITEM	SETTING
Action	Reverse
Input signal	4 - 20 mA DC
Output signal	4 - 20 mA DC
Action control	Input 20 mA DC, output stem stops at the upper-stop position
Operation at abnormally low input	Stop
Upper-stop position (mm) [inch.]	0.00 [0.00]
Lower-stop position (mm) [inch.]	60.00 [2.36]
Deadband (%)	0.2
Restart limiting timer (sec.)	0.6
Retract/UP signal position (%)	98.0
Extend/DOWN signal position (%)	2.0
Input	Analog input
Operating Time (sec./60mm)	for 3000 N : Code C for 5000 N : Code F

OUTPUT STEM OPERATION DISTANCE

60mm [2.36"] (adjustable to 40mm [1.57"])
Max. stroke ≤ 60.0mm [2.36"]

[1] OPERATION TIME, THRUST, THRUST AT LOCK

■ WITH COIL FOR 3000N

CODE	Sec./ 60 mm [2.36"]	Sec./ 40 mm [1.57"]	THRUST (AUTO-SETUP)	THRUST AT LOCK
A	19 sec.	14 sec.	2400 N	4000 N
B	24 sec.	17 sec.		
C	33 sec.	23 sec.		

■ WITH COIL FOR 5000N

CODE	Sec./ 60 mm [2.36"]	Sec./ 40 mm [1.57"]	THRUST (AUTO-SETUP)	THRUST AT LOCK
D	19 sec.	14 sec.	3700 N	7000 N
E	24 sec.	17 sec.		
F	33 sec.	23 sec.		

Note. Code A, B, and C incorporate a spring for 3000 N, code D, E, and F incorporate a spring for 5000 N.
Operation time can be changed by PC configurator software or PU-2x after purchase.
However, changing the coil from 3000 N to 5000N, or 5000 N to 3000 N after purchase is impossible.

[2] OUTPUT STEM TYPE

- 1: M14 male screw, pitch 1.5 (fine screw)
- 2: Stem button

[3] INPUT

Current

A: 4 - 20 mA DC (Input resistance 250 Ω)

Voltage

6: 1 - 5 V DC (Input resistance 200 kΩ min.)

[4] OUTPUT

Current

A: 4 - 20 mA DC (Load resistance 300 Ω max.)

Voltage

6: 1 - 5 V DC (Load resistance 5 kΩ min.)

CE & UKCA MARKING

C: With

POWER SUPPLY VOLTAGE

DC Power

R: 24 V DC

(Operational voltage range 24 V ±10 %, ripple 10 %p-p max.)

[5] OPTIONS

blank: none

/Q: With options (specify the specification)

SPECIFICATIONS OF OPTION: Q (multiple selections)

COATING (For the detail, refer to our web site.)

/C03: Rubber coating

EX-FACTORY SETTING

/SET: Preset according to the Ordering Information Sheet
(No. ESU-4894)

RELATED PRODUCTS

- PC configurator software (model: STCFG)
- Programming Unit (model: PU-2x)

GENERAL SPECIFICATIONS

Degree of protection: IP66

Action: "Reverse" action (switchable with DIP switch to "direct" action.)

Operation at low input:

(selectable with DIP switches)

- Move downward
- Move upward
- Stop

Low input signal level

• Current input: ≤ 1.48 (±0.2) mA DC

• Voltage input: ≤ 0.37 (±0.05) V DC

Wiring conduits: G 1/2 female thread and G 3/4 female thread (total four)

Terminal block: 7.62 mm pitch; M3 screw terminals (torque 0.5 N·m)

Screw terminal: Nickel-plated brass (not magnet)

Housing material: Diecast aluminum (AC4A)

Coating: Thermosetting acrylic resin

Coating: Silver color

Drive: Stepping motor

Insulation class: E

Position detection: Conductive potentiometer

Deadband adjustment: 0.1 - 0.5 % (1/1000 to 1/200)

Restart limiting timer adjustment: 0.1 - 5.0 sec.

Isolation: Power voltage or I/O signal to retract/UP signal position to extend/DOWN signal position to alarm signal to Modbus communication to metallic housing

Protective functions

- Automatically stops when thrust at lock (abnormal thrust increase)
- Automatically stops when surface temperature of the stepping motor is over 100°C (212°F) and automatically restarts under 95°C (203°F).
- Automatically heats to +2°C (35.6°F) when surface temperature is under 0°C (32°F). The motor continues to run.

Status Indicator LED

- POWER: Green LED turns on when the power voltage is ON
- INPUT: Green LED turns on with normal input signal
- AUTO-SETUP: Green LED blinks while auto-setup
- MOVING UP/CCW: Green LED turns on while moving upward
- MOVING DOWN/CW: Green LED turns on while moving downward
- COM: Green LED turns ON while Modbus communication
- ALARM: Red LED turns ON or blinks when abnormal operation

(For details, refer to users manual)

User-configurable items:

Configurable with DIP switch

- Stem operation at low input
- Switching direct/reverse
- Switching signal output
- Set full-open (upper-end) position
- Set full-closed (lower-end) position
- Auto-setup

Configurable with PC or PU-2x

- Set full-open (upper-end) position
- Set full-closed (lower-end) position
- Deadband
- Restart limiting timer
- Retract/UP signal position
- Extend/DOWN signal position
- Operation speed
- Auto-setup (start/cancel)
 - Upper side contraction (distance)
 - Lower side contraction (distance)
- Specified stroke distance

Configurable with Modbus communication

- Input
 - Node address
 - Baud rate
 - Parity bit
 - Stop bit length
 - Internal terminating resistor
 - Loss of Modbus communication detection time
- Action: Switching range of reverse/direct (following table)
- Increasing input signal, output stem moves upward (reverse)
 - Increasing input signal, output stem moves downwards (direct)

● REVERSE

INPUT SIGNAL (CURRENT/VOLTAGE)	OUTPUT STEM POSITION	OUTPUT SIGNAL (CURRENT/VOLTAGE)
4 mA DC / 1 V DC	Move downward	4 mA DC / 1 V DC 20 mA DC / 5 V DC
20 mA DC / 5 V DC	Move upward	20 mA DC / 5 V DC 4 mA DC / 1 V DC

● DIRECT

INPUT SIGNAL (CURRENT/VOLTAGE)	OUTPUT STEM POSITION	OUTPUT SIGNAL (CURRENT/VOLTAGE)
20 mA DC / 5 V DC	Move downward	20 mA DC / 5 V DC 4 mA DC / 1 V DC
4 mA DC / 1 V DC	Move upward	20 mA DC / 5 V DC 4 mA DC / 1 V DC

MODBUS COMMUNICATION

Communication: Half-duplex, asynchronous, no procedure

Standard: TIA/EIA-485-A compatible

Transmission distance: 500 meters max.

Baud rate: 4800, 9600, 19200, 38400 bps
(ex-factory setting: 38400 bps)

Protocol: Modbus RTU

Node address: 1 to 247 (ex-factory setting: 1)

Parity: None, Odd, Even

Stop bit: 1, 2

Max. number of nodes: 31 (excluding master)

Transmission media: Shielded twisted-pair cable (CPEV-S 0.9 dia.)

Internal terminating resistor: 120 Ω

OUTPUT SPECIFICATIONS

■ Output signal

- 4-20 mA DC or 20-4 mA DC (non-isolated)
Load resistance: 300 Ω max.
- 1-5 V DC or 5-1 V DC (non-isolated)
Load resistance: 5 kΩ min.

■ Alarm output (triggered when the output stem is locked)

- Output type: Photo MOSFET relay
- Rated load: 160 V 150 mA AC/DC at peak
- ON resistance: 8 Ω max.
- Leakage current during opening/closing: 2 μA max.

STROKE RATE

Duty cycle = Within 50 %

The unit must operate at an average duty cycle of 50% (ratio of operating time to standby time) or less.

Operation rate: Less than 13 strokes / min. (excepting momentary peak stroke rate)

INSTALLATION (POWER VOLTAGE: @ 24 V DC)

Operating temperature: -15 to +66°C (5 to 150.8°F) (No direct sunlight, radiant heat or heat transfer.)

Storage temperature: -29 to +70°C (-20.2 to 158°F)

Operating humidity: 30 to 90 %RH (non-condensing)

Vibration resistance:

- Sweep endurance test (IEC 61298-3 compliant)
- Acceleration: 19.6 m/s² (2 G)
- Frequency: 10 to 1000 Hz
- Cycle: 20 cycles
- Sweep rate: 1 oct./min.
- Testing time: approx. 4 hr. 30 min.
- Direction: X, Y, Z

Mounting orientation:

DO NOT mount upside-down

Weight: Approx. 9 kg (19.8 lb)

CURRENT VALUE (OPERATION TIME, THRUST, AND THRUST AT LOCK) (@ 24V DC)

CODE	CURRENT AT NO LOAD	MAXIMUM CURRENT (During a retry when the rotor is locked)	STANDBY CURRENT VALUE
A	1.9 A	4.5 A	0.1 A
B	1.7 A	4 A	
C	1.5 A	4.5 A	
D	2.3 A	4 A	
E	1.9 A	4.5 A	
F	1.5 A	4 A	

· Current in standby or non-operating state at - 15°C: 1 A

· Current at no load at - 15°C: 4.5 A

PERFORMANCE

Resolution: 0.1 mm (1/500 at 60 mm setting: 0.2%)

Hysteresis: 0.6%

Linear characteristic: 0.6%

Backlash: 0.5 mm

Insulation resistance: ≥ 100 MΩ with 500 V DC

(Power voltage or I/O signal to retract/UP signal to extend/DOWN signal to alarm signal to Modbus communication to metallic housing)

Dielectric strength: 500 V AC @ 1 minute (or 600 V AC @ 1

second)

(Power voltage or I/O signal to retract/UP signal to extend/DOWN signal to alarm signal to communication to metallic housing)

STANDARDS & APPROVALS

■ EU conformity (CE marking)

• EMC Directive

EMI EN 61000-6-4

EMS EN 61000-6-2

RoHS Directive

EN IEC 63000

■ UK conformity (UKCA marking)

The UK legislations and designated standards equivalent to the applicable EU directives.

TERMINOLOGY

• Auto-setup Function

A function that automatically set the position that keeps constant thrust load at lower-end (closed) and upper-end (open) with a single operation.

Auto-setup can be performed by following 3 types:

Switching DIP SW, PU-2x, and PC configurator software (USB -Type-C).

Even if a leak occurs, the closed position can be changed in 0.1 mm.

• Modbus communication

Operation status of the actuator can be monitored during normal operation for ensuring safe operation of the product and supporting equipment maintenance.

Via Modbus communication, the following data can be monitored to grasp the operation status of the actuator.

- No. of times of start actions of the stepping motor
- No. of times of reverse actions of the stepping motor
- Accumulated operating time of the stepping motor
- Accumulated operation distance of the output stem
- No. of times of restart when an excessive thrust error occurs
- Excessive thrust error

• Excessive thrust monitoring

Function to stop the stepping motor when an excessive thrust is detected. Specifically, the unit constantly monitors the position of the output stem while the stepping motor is driven. When the unit detects that the output stem is not following the position detecting value of the potentiometer, tries to operate with max value of set thrust. If the output stem does not follow the motor after two times, an error of excessive thrust occurs and the stepping motor is stopped (alarm signal). To release the alarm signal, turn off the

power voltage.

• Deadband

Linear resolution

• Hysteresis

The output stem reciprocates i.e. moves up and down according to the input signal.

Hysteresis is the difference between the two curves of ascending and descending directions, which is expressed in percentage.

• Linear Characteristics

The output stem reciprocates i.e. moves up and down according to the input signal. In theory, the output stem moves by a distance proportional to the input signal. In the case of PSP, the difference between the theoretical value and the actual distance that the output stem actually moved is expressed in percentage.

• Restart Limiting Timer

This function prevents the output stem operates frequently when the input signal is unstable.

To prevent the output stem operates frequently, it does not operate at the moment the input signal changes, but after a set period of time.

• Thrust buffering spring

Thrust buffering spring is incorporated in the unit (output stem position).

Disc springs are used for thrust buffering spring.

Elasticity of the springs buffer thrust that affects to the valve stem.

When the operation is stopped, the spring reaction force keeps the thrust that pushes the valve stem up.

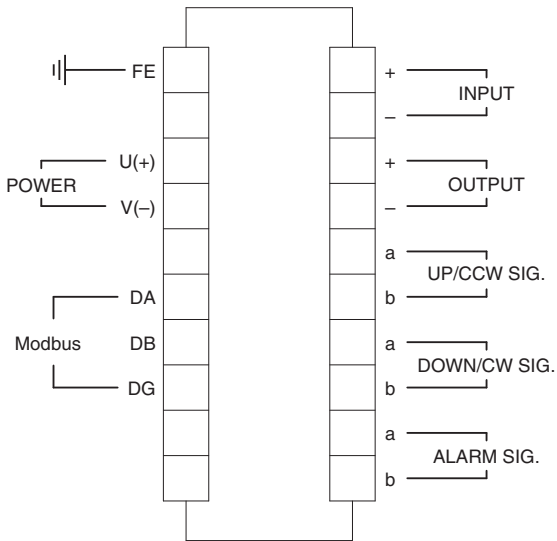
• Output stem operation distance

Maximum stroke is 60 mm. (impossible to set over 60 mm)

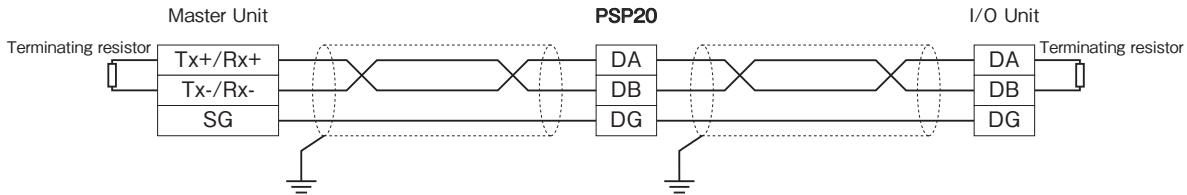
Minimum stroke is adjustable to 40 mm.

The valve closing position is basically set automatically by the auto-setup function. No fine adjustment of the valve seat stop position is required.

TERMINAL CONNECTIONS

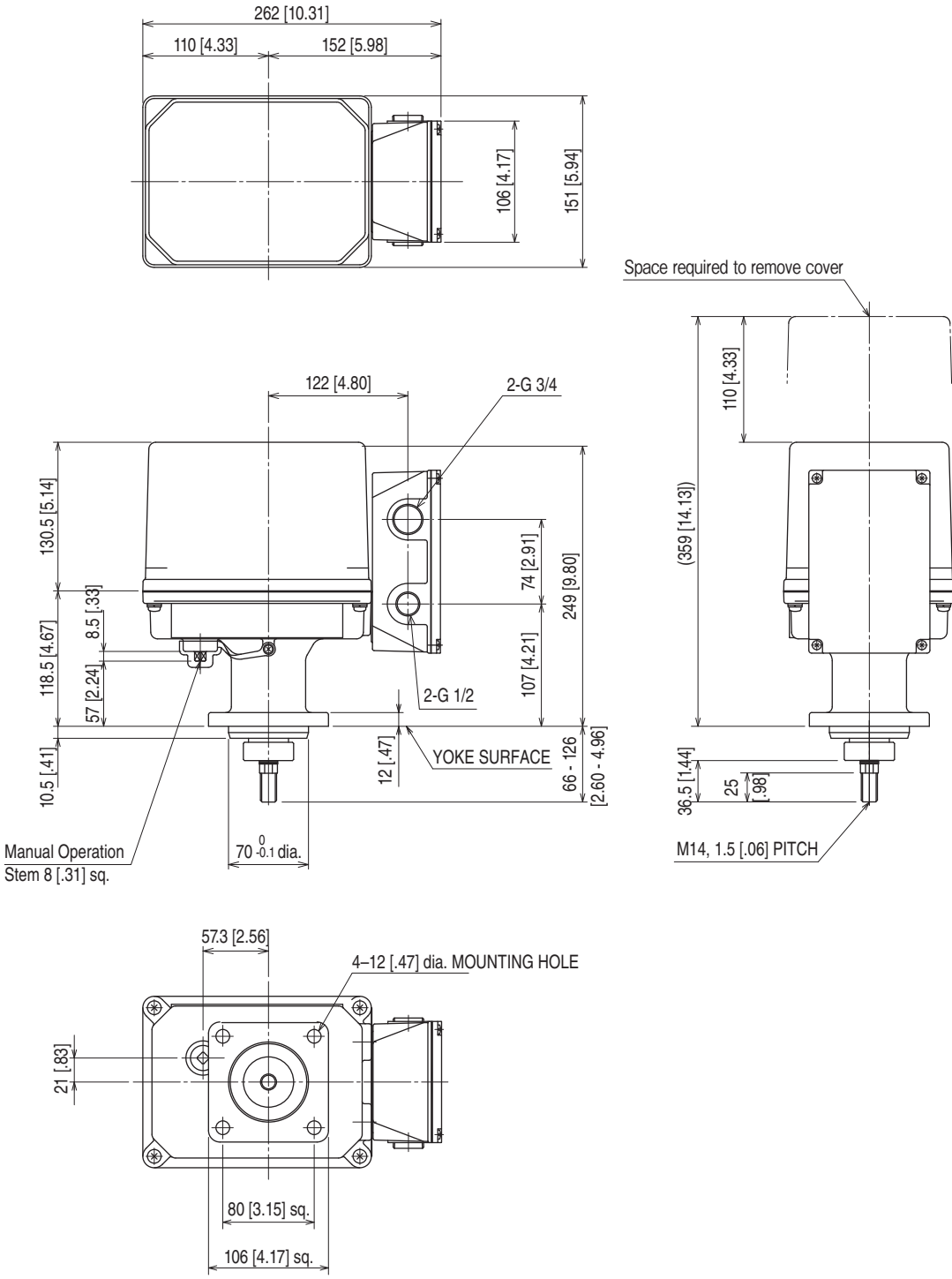


COMMUNICATION CABLE CONNECTIONS

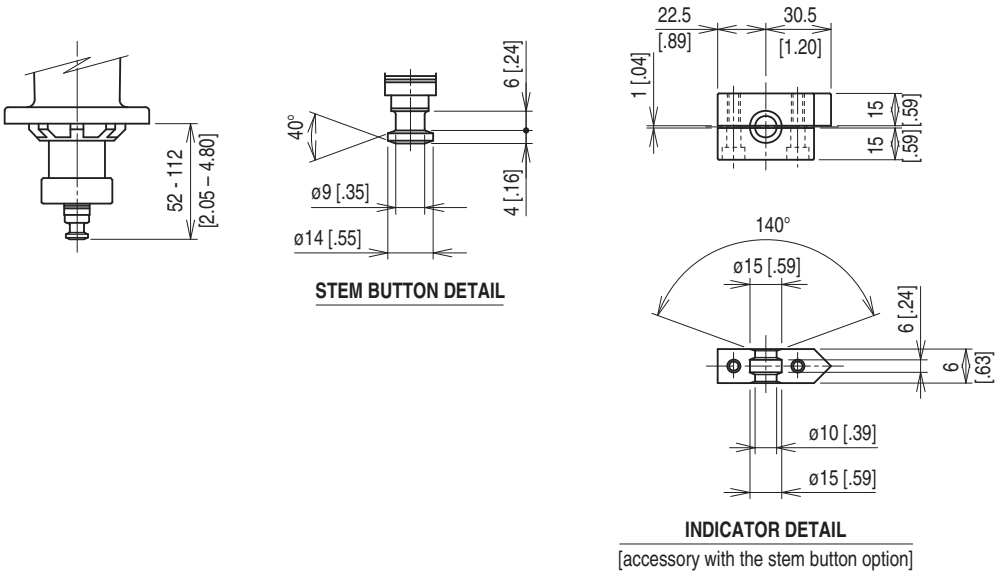


Terminating resistors can be turned ON/OFF on the PC configurator software (model: STCFG) or programming unit (model: PU-2x).

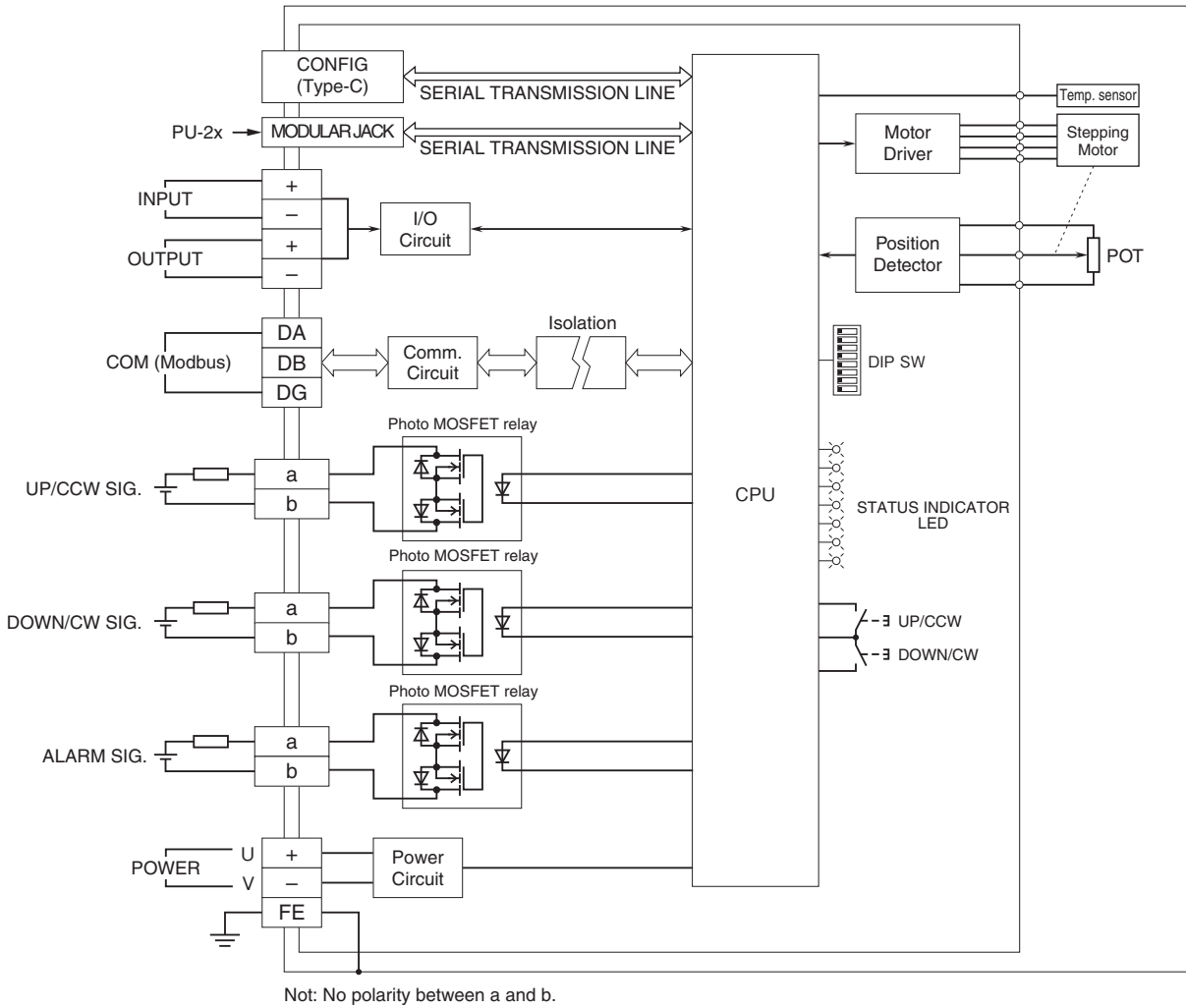
EXTERNAL DIMENSIONS unit: mm [inch]



• Output Stem Detail with Stem Button Option



SCHEMATIC CIRCUITRY & CONNECTION DIAGRAM





Specifications are subject to change without notice.