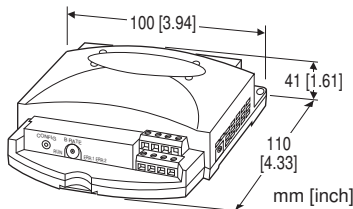


R2K Series

RS-232-C/RS-485 CONVERTER

Functions & Features

- Bidirectional converter between RS-232-C and RS-485 used when connecting Modbus RS-485 devices to a PC



MODEL: R2K-1-[1]

ORDERING INFORMATION

- Code number: R2K-1-R
- Consult Factory for AC power input.

[1] POWER INPUT

DC Power
R: 24 V DC
 (Operational voltage range 24 V \pm 10 %, ripple 10 %p-p max.)

GENERAL SPECIFICATIONS

Connection

RS-232-C: 9-pin D-sub connector (male, lock screw No. 4-40 UNC); A 'Straight' type cable connecting to the PC is to be prepared by the user.

RS-485, power input: Euro type connector terminal

Isolation: RS-232-C to RS-485 or power

Data, parity & stop bit setting: DIP switches at the bottom

Baud rate setting: Front rotary switch

RUN indicator LED: Green light blinks in normal conditions.

ERR.1 indicator: Red LED blinks with RS-232-C overrun error; ON with parity framing error.

ERR.2 indicator: Red LED blinks with RS-485 overrun error; ON with parity framing error.

COMMUNICATION

Baud rate: 300, 600, 1200, 2400, 4800, 9600, 14.4 k, 19.2 k, 28.8 k, 38.4 k, 57.6 k, 76.8 k (bps)

Data bit: 7 or 8 bits

Parity: Odd, even or none

Stop bit: 1 or 2 bits

Communication: Half-duplex, asynchronous, no procedure

Data delay time: 300 microseconds

■ RS-232-C

Standard: Conforms to RS-232-C, EIA

Transmission distance: 10 meters max.

■ RS-485

Standard: Conforms to TIA/EIA-485-A

Transmission distance: 500 meters max.

Transmission media: Shielded twisted-pair cable (CPEV-S 0.9 dia.)

INSTALLATION

Power consumption

- DC: Approx. 2 W

Operating temperature: -5 to +60°C (23 to 140°F)

Operating humidity: 30 to 90 %RH (non-condensing)

Mounting: Surface or DIN rail

Weight: 150 g (0.33 lb)

PERFORMANCE

Insulation resistance: \geq 100 M Ω with 500 V DC

Dielectric strength: 500 V AC @ 1 minute
 (RS-232-C to RS-485 or power)

STANDARDS & APPROVALS

EU conformity:

EMC Directive

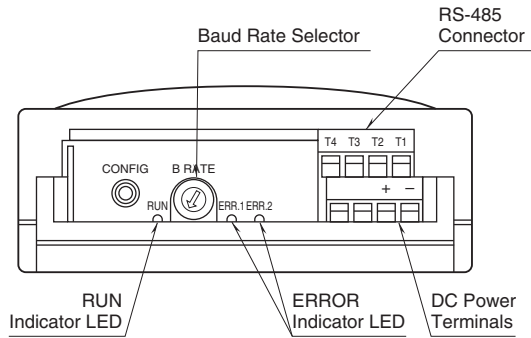
EMI EN 61000-6-4

EMS EN 61000-6-2

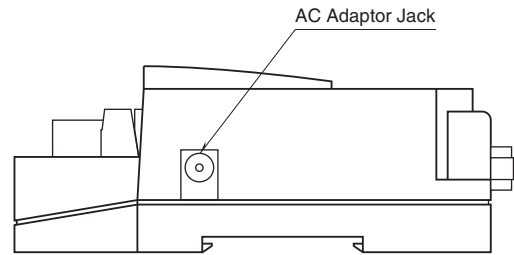
RoHS Directive

EXTERNAL VIEW

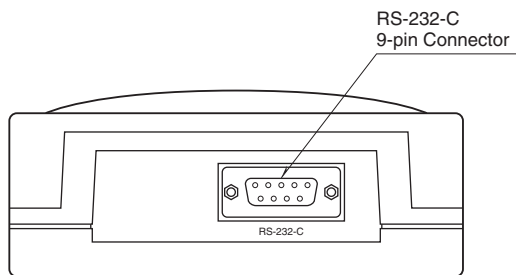
■ FRONT VIEW



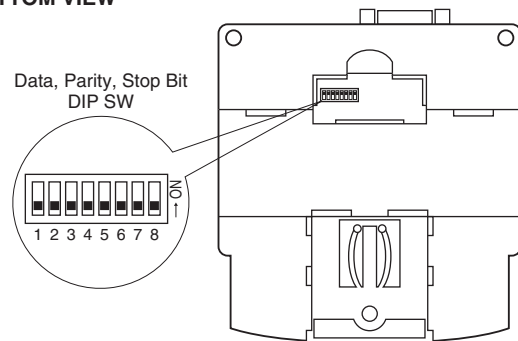
■ SIDE VIEW



■ REAR VIEW



■ BOTTOM VIEW

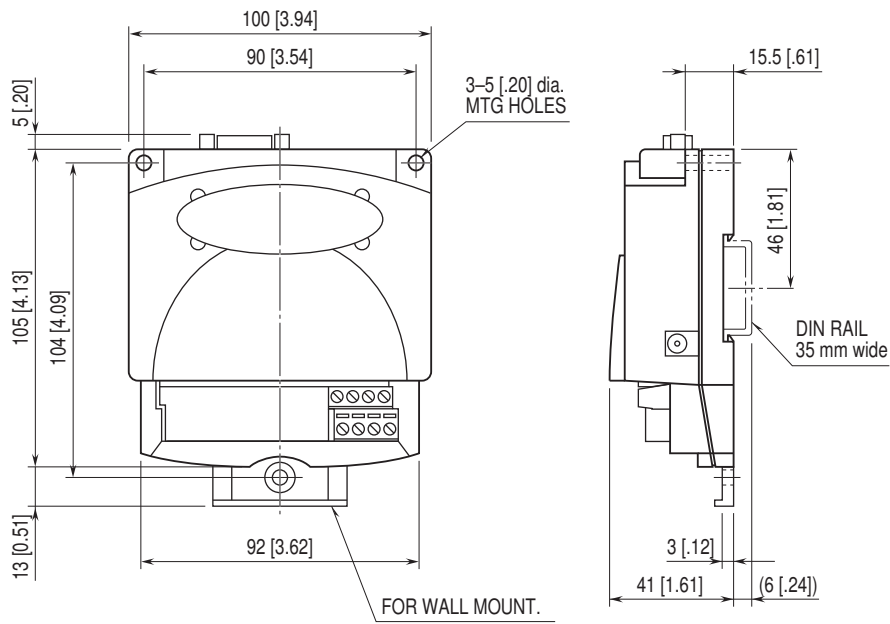


■ RS-232-C INTERFACE

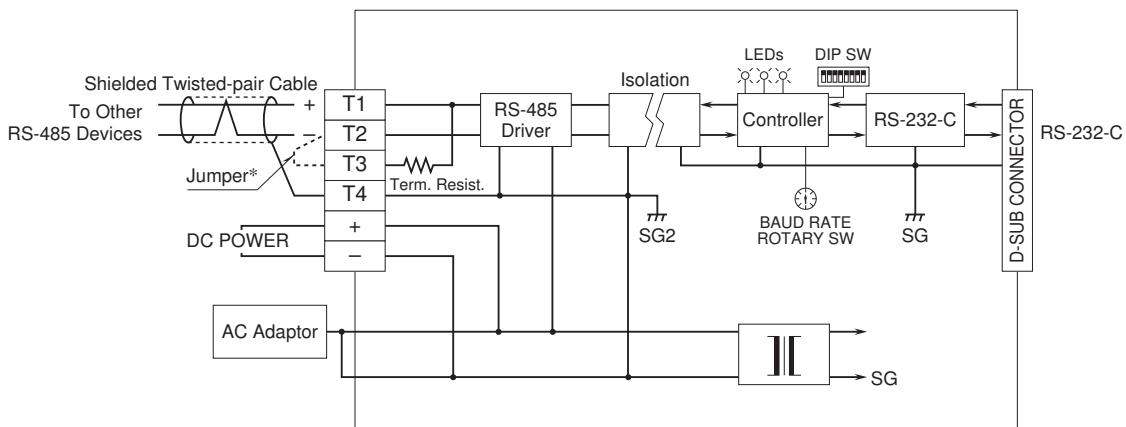


ABBR.	PIN NO.	EXPLANATION OF FUNCTION
BA (SD)	2	Transmitted Data
BB (RD)	3	Received Data
AB (SG)	5	Signal Common
CB (CS)	7	Clear to Send
CA (RS)	8	Request to Send
	1	Not Used.
	4	DO NOT connect. Connecting may cause malfunctions.
	6	
	9	

EXTERNAL DIMENSIONS unit: mm [inch]



SCHEMATIC CIRCUITRY & CONNECTION DIAGRAM



*When the device is located at the end of a transmission line via RS-485, close across the terminal T2 –T3 with the attached jumper pin (or with a leadwire).
 Note: RS-485 and power terminals are not isolated from each other.
 Use of M-System's lightning surge protectors is recommended for protecting the device from induced surges.



Specifications are subject to change without notice.