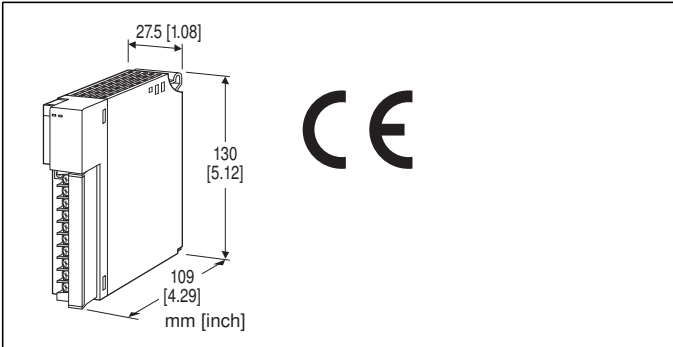


## Remote I/O R3 Series

### 4 - 20 mA INPUT ALARM MODULE

(2-wire transmitter excitation supply; 4 points, isolated)



### MODEL: R3-AD4[1][2]

#### ORDERING INFORMATION

- Code number: R3-AD4[1][2]  
Specify a code from below for each of [1] and [2].  
(e.g. R3-AD4W/CE/Q)
- Specify the specification for option code /Q  
(e.g. /C01)

#### NO. OF CHANNELS

4: 4

#### [1] COMMUNICATION MODE

S: Single

W: Dual

#### [2] OPTIONS (multiple selections)

Standards & Approvals

blank: Without CE

/CE: CE marking

Other Options

blank: none

/Q: Option other than the above (specify the specification)

#### SPECIFICATIONS OF OPTION: Q

COATING (For the detail, refer to our web site.)

/C01: Silicone coating

/C02: Polyurethane coating

/C03: Rubber coating

#### GENERAL SPECIFICATIONS

##### Connection

**Internal bus:** Via the Installation Base (model: R3-BSx)

**Input:** M3 separable screw terminal (torque 0.5 N·m)

**Internal power:** Via the Installation Base (model: R3-BSx)

**Screw terminal:** Nickel-plated steel

**Isolation:** Input 1 to input 2 to input 3 to input 4 to internal bus or internal power

**Conversion rate:** Selectable with the side DIP SW

**RUN indicator:** Bi-color (red/green) LED;

Red when the bus A operates normally;

Green when the bus B operates normally;

Amber when both buses operate normally.

**ERR indicator:** Bi-color (red/green) LED;

Red with input circuit abnormality (AD converter response failure);

Green in normal operating conditions.

#### SUPPLY OUTPUT

(across the terminals 1 - 2, 3 - 4, 6 - 7 and 8 - 9)

**Output voltage:** 24 - 28 V DC with no load

16 V DC min. at 22 mA

**Current rating:** ≤ 22 mA DC

• **Shortcircuit Protection**

**Current limited:** Approx. 30 mA

**Protected time duration:** No limit

#### INPUT SPECIFICATIONS

■ **DC Current:** 4 - 20 mA DC

**Input resistance:** 250 Ω resistor incorporated

#### INSTALLATION

**Operating temperature:** -10 to +55°C (14 to 131°F)

**Operating humidity:** 30 to 90 %RH (non-condensing)

**Atmosphere:** No corrosive gas or heavy dust

**Mounting:** Installation Base (model: R3-BSx)

**Weight:** 200 g (0.44 lb)

## PERFORMANCE

**Conversion accuracy:** Refer to the table at the end of this section.

**Conversion rate:** 80 / 40 / 20 / 10 msec. selectable

**Data allocation:** 1

**Current consumption:** 210 mA

**Temp. coefficient:**  $\pm 0.015\% / ^\circ\text{C}$  ( $\pm 0.008\% / ^\circ\text{F}$ )

**Insulation resistance:**  $\geq 100\ \text{M}\Omega$  with 500 V DC

**Dielectric strength:** 1500 V AC @ 1 minute (input 1 to input 2 to input 3 to input 4 to internal bus or internal power)

2000 V AC @ 1 minute (power input to FG; isolated on the power supply module)

**Conversion accuracy:**

RATE	80 msec.	40 msec.	20 msec.	10 msec.
Accuracy	$\pm 0.05\%$	$\pm 0.1\%$	$\pm 0.2\%$	$\pm 0.4\%$

the power has been turned on.

This setting is common to all four points.

### ■ALARM HOLD TIME

(0.0 to 99.0 seconds; factory set to 1.0)

The alarm output is held for the preset time even if it is reset in shorter time.

This setting is common to all four points.

## STANDARDS & APPROVALS

**EU conformity:**

EMC Directive

EMI EN 61000-6-4

EMS EN 61000-6-2

RoHS Directive

## ALARM SETTING

The following parameters are programmable using the PC Configurator Software (model: R3CON).

**■ALARM TRIP POINT** (-15.00 to +115.00 %;

factory set to A1: 80.00, A2: 60.00, A3: 40.00, A4: 20.00)

Four alarm setpoints are selectable per each input.

**■ALARM TYPE**

(High or Low; factory set to A1: High, A2: High, A3: Low, A4: Low)

High or Low alarm is selectable for each alarm trip point.

**High alarm:** An alarm is set when the input signal goes above the setpoint.

**Low alarm:** An alarm is set when the input signal goes below the setpoint.

**■DEADBAND (HYSTERESIS)**

(0.00 to 100.00 %; factory set to 5.00)

Deadband (deviation between the points where the alarm is set and reset) is selectable for each alarm trip point.

**■ALARM ON DELAY TIME**

(0.0 to 99.0 seconds; factory set to 1.0)

The alarm output is set when the preset time elapses after the input has entered in the alarm range.

This setting is common to all four points.

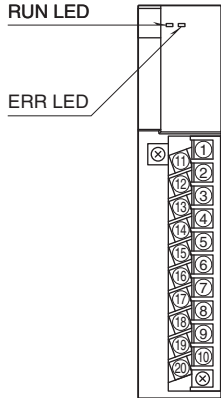
**■POWER ON DELAY TIME**

(0.0 to 99.0 sec.; factory set to 5.0)

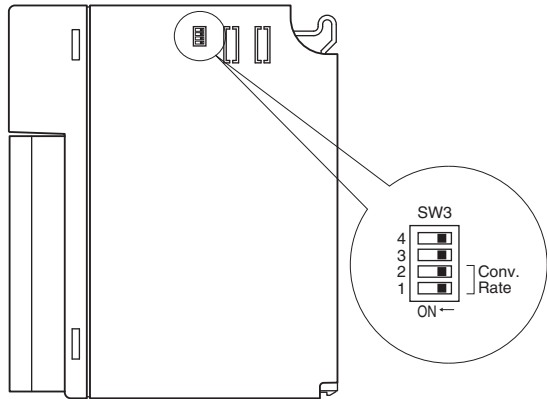
The alarm output start functioning in the preset time after

**EXTERNAL VIEW**

■ FRONT VIEW

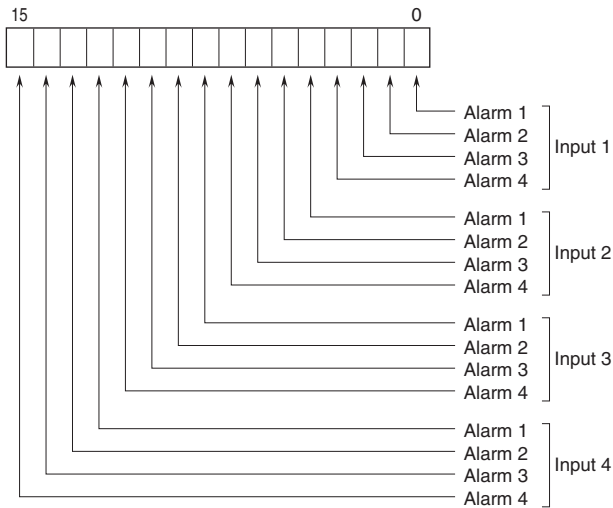


■ SIDE VIEW

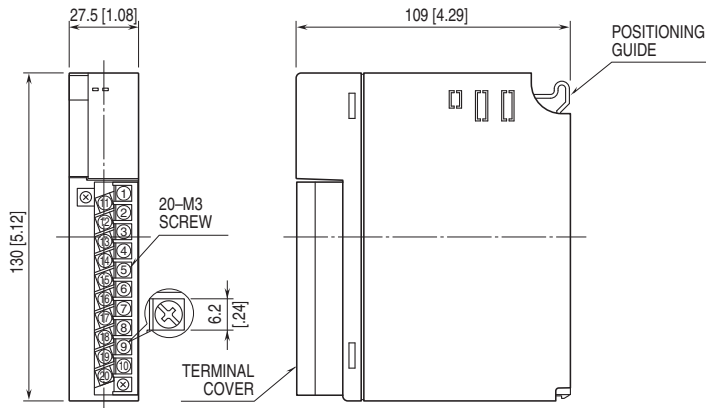


**OUTPUT DATA DESCRIPTIONS**

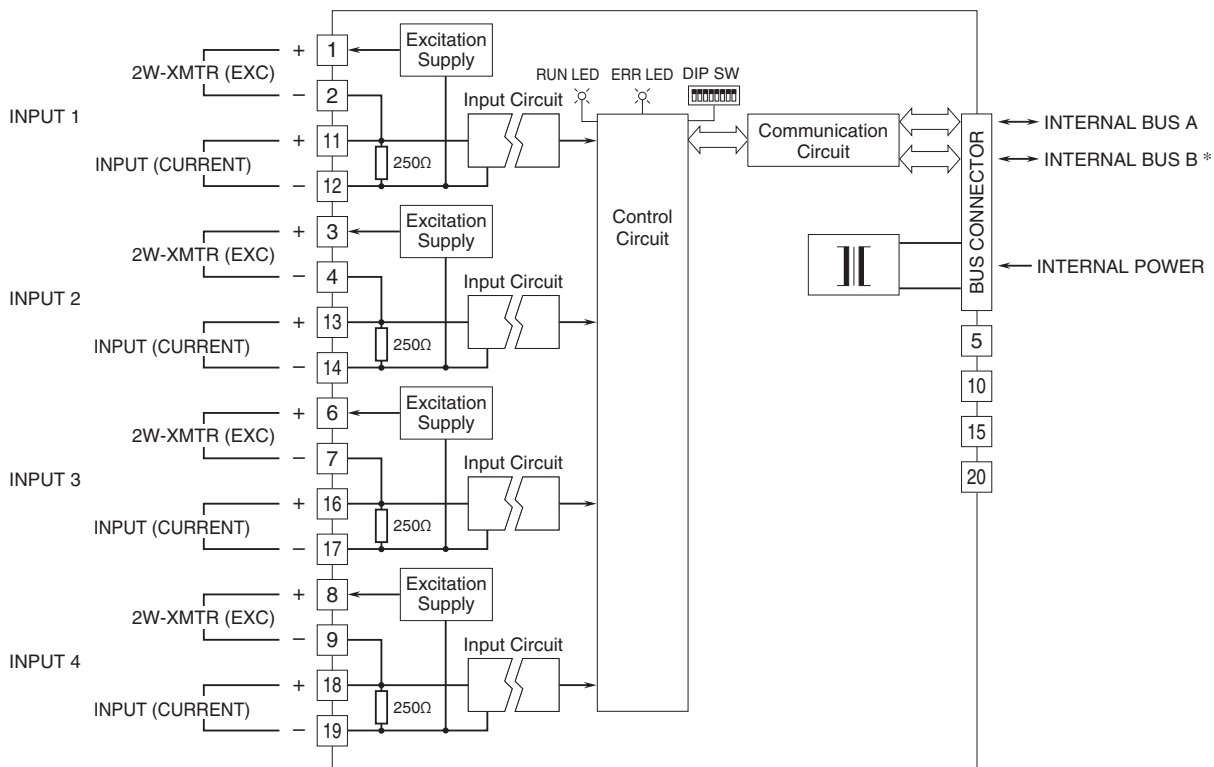
Four alarm setpoints are selectable per each input. One (1) word (16 bit) data is transmitted to the PLC or the host device via the R3 network module.



**EXTERNAL DIMENSIONS & TERMINAL ASSIGNMENTS unit: mm [inch]**



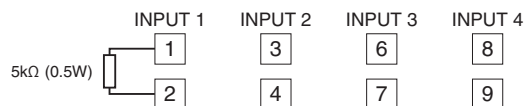
## SCHEMATIC CIRCUITRY & CONNECTION DIAGRAM



\* For dual redundant communication.

### • Unused Input Channels

Close across the unused input terminals with a resistor (5kΩ, 0.5W) as shown below.



Unused channels left open are equal to the input lower than -15%, which sets a data abnormality at the PLC or the host device.

Connecting the resistor means approx. 0% of the full-scale. An alarm setpoint must be set to a value that does not trip an unwanted alarm.

Unused channels can be specified and set so on the PC Configurator Software (model: R3CON) without needing to connect resistors at the field terminals.



Specifications are subject to change without notice.