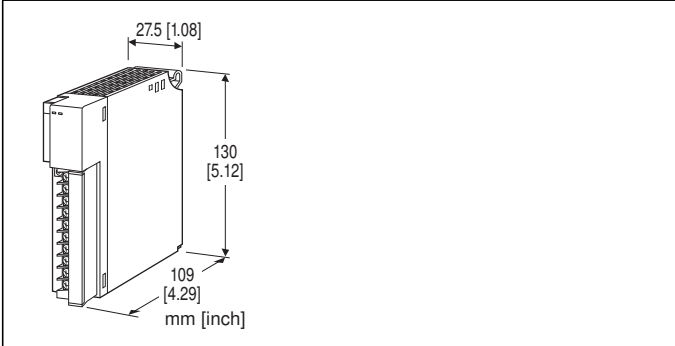


Remote I/O R3 Series

AC CURRENT INPUT MODULE

(4 points, isolated, clamp-on current sensor type CLSB-R5 use)



MODEL: R3-CT4C[1][2]

ORDERING INFORMATION

- Code number: R3-CT4C[1][2]
- Specify a code from below for each of [1] and [2].
(e.g. R3-CT4CW/Q)
- Specify the specification for option code /Q
(e.g. /C01/SET)

NO. OF CHANNELS

4C: 4 channels, Sensor type CLSB-R5

[1] COMMUNICATION MODE

S: Single
W: Dual

[2] OPTIONS

blank: none
/Q: With options (specify the specification)

SPECIFICATIONS OF OPTION: Q (multiple selections)

COATING (For the detail, refer to our web site.)
/C01: Silicone coating
/C02: Polyurethane coating
/C03: Rubber coating
EX-FACTORY SETTING
/SET: Preset according to the Ordering Information Sheet
(No. ESU-8392)

RELATED PRODUCTS

- PC configurator software (model: R3CON)
- Zero/span adjustments for the conversion data are

available using the R3CON. Downloadable at our web site.

- Clamp-on current sensor (model: CLSB-R5)
- The clamp-on current sensor, not included in the product package of the R3 module, must be ordered separately. Refer to the data sheet for the sensor for more information such as applicable wire diameter.

GENERAL SPECIFICATIONS

Connection

- Internal bus:** Via the Installation Base (model: R3-BSx)
- Input:** M3 separable screw terminal (torque 0.5 N·m)
- Internal power:** Via the Installation Base (model: R3-BSx)
- Screw terminal:** Nickel-plated steel
- Isolation:** Input 1 to input 2 to input 3 to input 4 to internal bus or internal power
- Input range:** 0 - 5 A AC, 0 - 1 A AC (Selectable with the side DIP SW)
- Conversion rate:** Selectable with the side DIP SW
- RUN indicator:** Bi-color (red/green) LED;
Red when the bus A operates normally;
Green when the bus B operates normally;
Amber when both buses operate normally.
- ERR indicator:** Bi-color (red/green) LED;
Red with input abnormality;
Green in normal operating conditions.
- Low-end cutout:** Converted as 0 % for the input below 1 % of range

INPUT SPECIFICATIONS

- Input:** 0 - 5 A AC, 0 - 1 A AC
- Sensor**
CLSB-R5: 0 - 5 A AC
- Frequency:** 45 - 65 Hz
- Max. working voltage:** 440 V AC (primary side)
- Operational range:** 5 - 115 % of rating

INSTALLATION

- Operating temperature:** -10 to +55°C (14 to 131°F)
- Operating humidity:** 30 to 90 %RH (non-condensing)
- Atmosphere:** No corrosive gas or heavy dust
- Mounting:** Installation Base (model: R3-BSx)
- Weight:** 200 g (0.44 lb)

PERFORMANCE

Conversion accuracy: Refer to the table at the end of this section.

Conversion rate: 80 / 40 / 20 / 10 msec. selectable

Data range: 0 - 10000 of the input range

Data allocation: 4

Current consumption: 60 mA

Temp. coefficient: $\pm 0.015\% / ^\circ\text{C}$ ($\pm 0.008\% / ^\circ\text{F}$)

Input response time: ≤ 0.5 sec. (0 - 90 %)

Insulation resistance: $\geq 100\text{ M}\Omega$ with 500 V DC

Dielectric strength: 1500 V AC @ 1 minute (input 1 to input 2 to input 3 to input 4 to internal bus or internal power)

2000 V AC @ 1 minute (power input to FG; isolated on the power supply module)

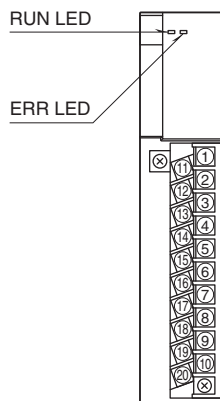
Conversion accuracy

Rate	80 msec.	40 msec.	20 msec.	10 msec.
Accuracy	$\pm 0.5\%$	$\pm 0.5\%$	$\pm 1.0\%$	$\pm 2.0\%$

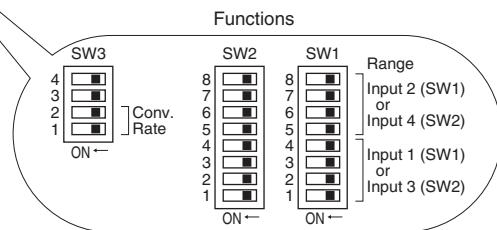
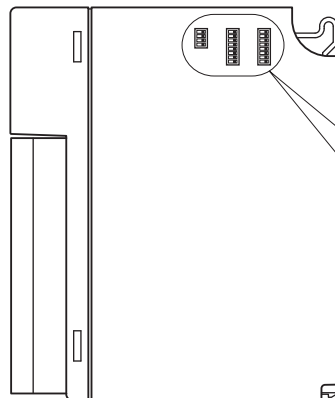
Except the accuracy of the sensor.

EXTERNAL VIEW

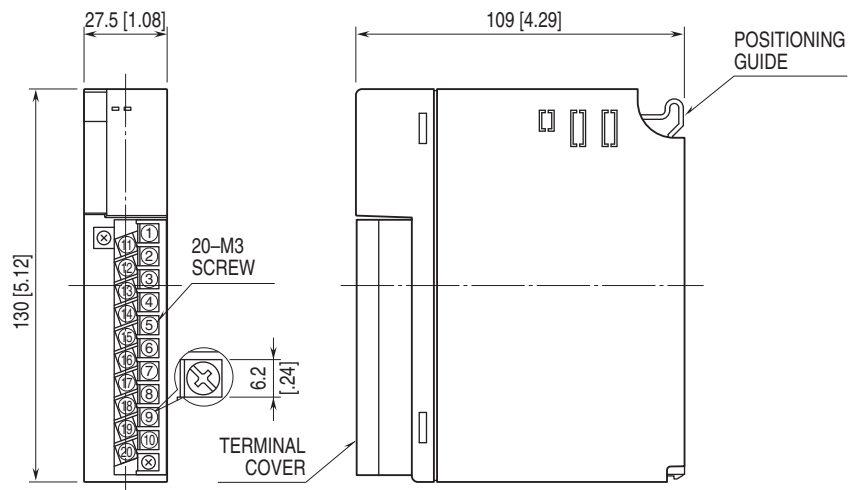
FRONT VIEW



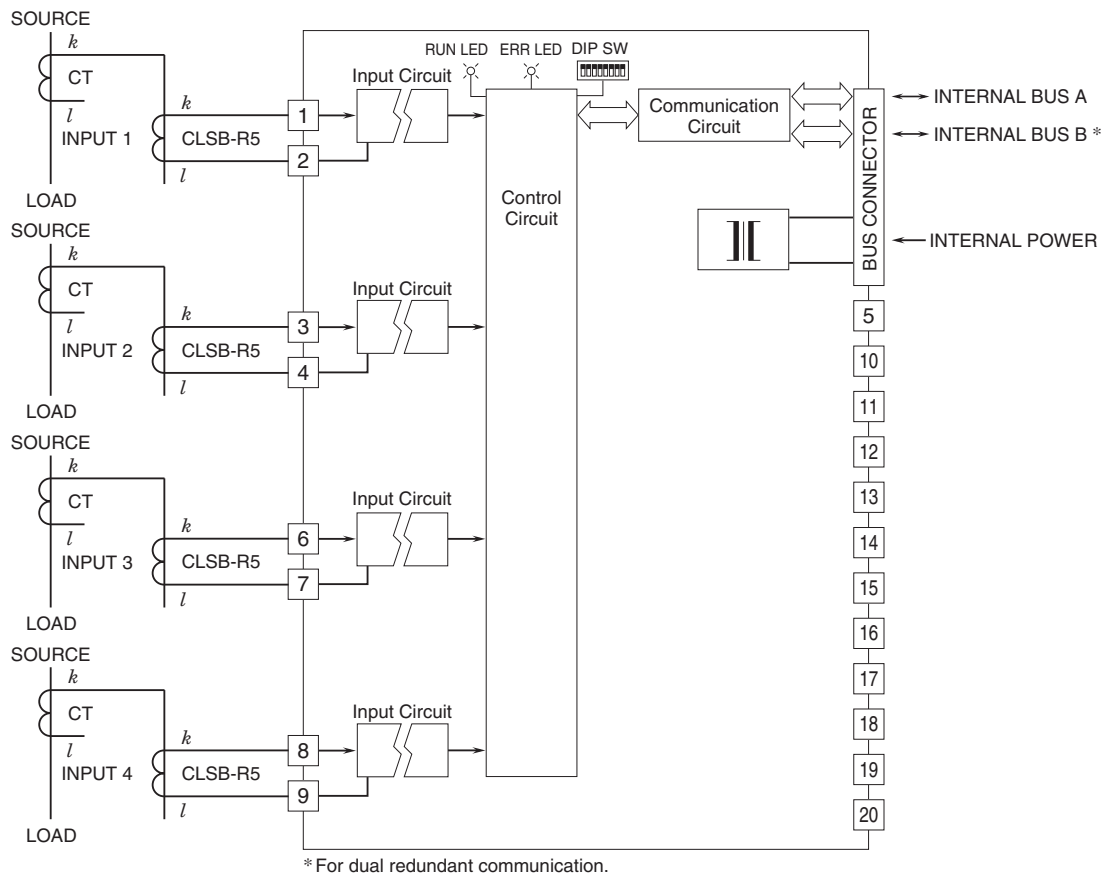
SIDE VIEW



EXTERNAL DIMENSIONS & TERMINAL ASSIGNMENTS unit: mm [inch]



SCHEMATIC CIRCUITRY & CONNECTION DIAGRAM



Specifications are subject to change without notice.