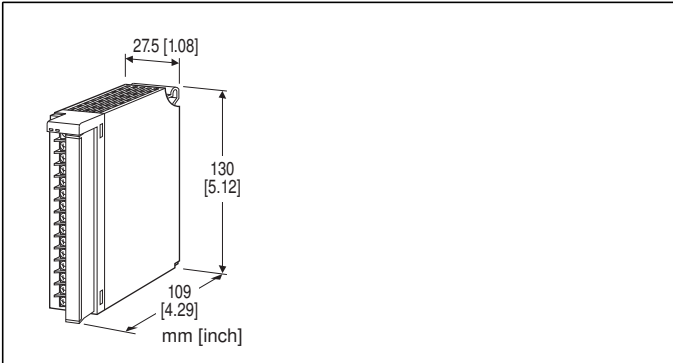


Remote I/O R3 Series

AC CURRENT INPUT MODULE

(8 points, isolated, clamp-on current sensor type CLSA use)



MODEL: R3-CT8A[1][2]

ORDERING INFORMATION

- Code number: R3-CT8A[1][2]
- Specify a code from below for each of [1] and [2].
(e.g. R3-CT8AW/H/Q)
- Specify the specification for option code /Q
(e.g. /C01/SET)

NO. OF CHANNELS

8A: 8 channels, Sensor type CLSA

[1] COMMUNICATION MODE

S: Single
W: Dual

[2] OPTIONS (multiple selections)

Frequency
blank: 45 - 65 Hz
/H: 200 Hz - 1.2 kHz
Other Options
blank: none
/Q: Option other than the above (specify the specification)

SPECIFICATIONS OF OPTION: Q (multiple selections)

COATING (For the detail, refer to our web site.)
/C01: Silicone coating
/C02: Polyurethane coating
/C03: Rubber coating
EX-FACTORY SETTING
/SET: Preset according to the Ordering Information Sheet
(No. ESU-8444)

RELATED PRODUCTS

- PC configurator software (model: R3CON)
- Zero/span adjustments for the conversion data are available using the R3CON. Downloadable at our web site.
- Clamp-on current sensor (model: CLSA-08)
- Clamp-on current sensor (model: CLSA-12)
- Clamp-on current sensor (model: CLSA-30)
- Clamp-on current sensor (model: CLSA-50)
- Special cable (model: CLSA-08C)

The clamp-on current sensor, not included in the product package, must be ordered separately.
Refer to the data sheet for the sensor for more information such as applicable wire diameter.

GENERAL SPECIFICATIONS

Connection

Internal bus: Via the Installation Base (model: R3-BSx)
Input: M3 separable screw terminal (torque 0.5 N·m)
Internal power: Via the Installation Base (model: R3-BSx)
Screw terminal: Nickel-plated steel
Isolation: Input 1 to input 2 to input 3 to input 4 to input 5 to input 6 to input 7 to input 8 to internal bus or internal power
Input range: Selectable with the side DIP SW (per 4 channels)
Conversion rate: Selectable with the side DIP SW
RUN indicator: Bi-color (red/green) LED;
Red when the bus A operates normally;
Green when the bus B operates normally;
Amber when both buses operate normally.
ERR indicator: Bi-color (red/green) LED;
Red with input abnormality;
Green in normal operating conditions.
Low-end cutout: Converted as 0 % for the input below 1 % of range
Note: Change the value of "Zero Base" and "Full Base" with PC configurator software (model: R3CON) to disable low-end cutout.

INPUT SPECIFICATIONS

Frequency: 45 - 65 Hz
(200 Hz - 1.2 kHz with Option /H)
Operational range: 5 - 115 % of rating
Max. working voltage: 440 V AC (primary side)
Sensor & range:
CLSA-08: 0 - 80A AC
CLSA-12: 0 - 120A AC
CLSA-30: 0 - 300A AC
CLSA-50: 0 - 500A AC

INSTALLATION

Operating temperature: -10 to +55°C (14 to 131°F)
Operating humidity: 30 to 90 %RH (non-condensing)
Atmosphere: No corrosive gas or heavy dust
Mounting: Installation Base (model: R3-BSx)
Weight: 250 g (0.55 lb)

PERFORMANCE

Conversion accuracy: Refer to the table at the end of this section.
Conversion rate: 160 / 80 / 40 / 20 msec. selectable
Data range: Engineering unit value × 100 (integer)
Data allocation: 8
Current consumption: 100 mA
Temp. coefficient: ±0.015 %/°C (±0.008 %/°F)
Input response time: ≤ 0.5 sec. (0 - 90 %)
Insulation resistance: ≥ 100 MΩ with 500 V DC
Dielectric strength: 1000 V AC @ 1 minute (input 1 to input 2 to input 3 to input 4 to input 5 to input 6 to input 7 to input 8 to internal bus or internal power)
 2000 V AC @ 1 minute (power input to FG; isolated on the power supply module)

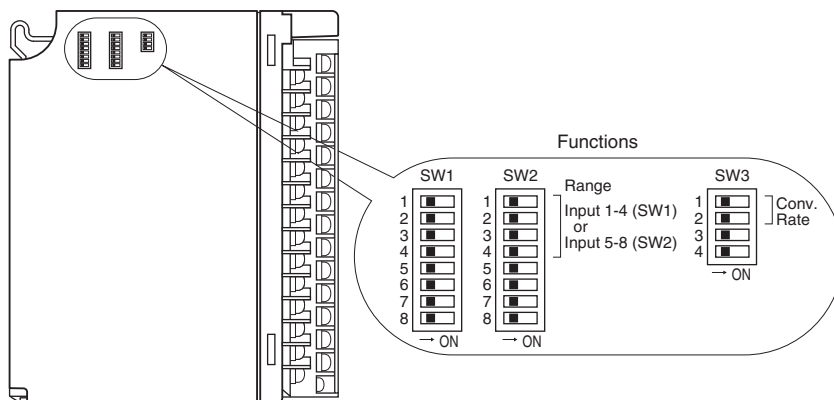
Conversion accuracy

Rate	160 msec.	80 msec.	40 msec.	20 msec.
Accuracy	±0.5%	±0.5%	±1.0%	±2.0%

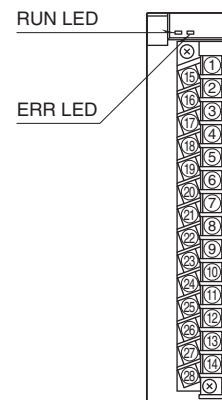
Except the accuracy of the sensor.

EXTERNAL VIEW

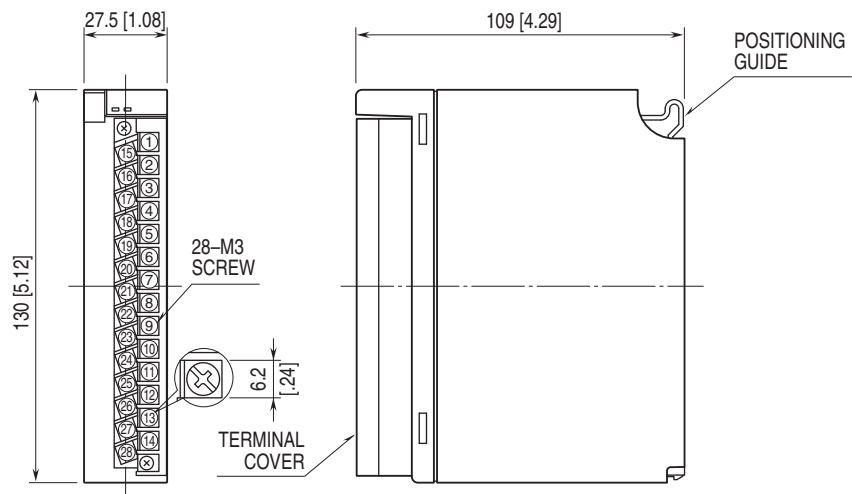
■ SIDE VIEW



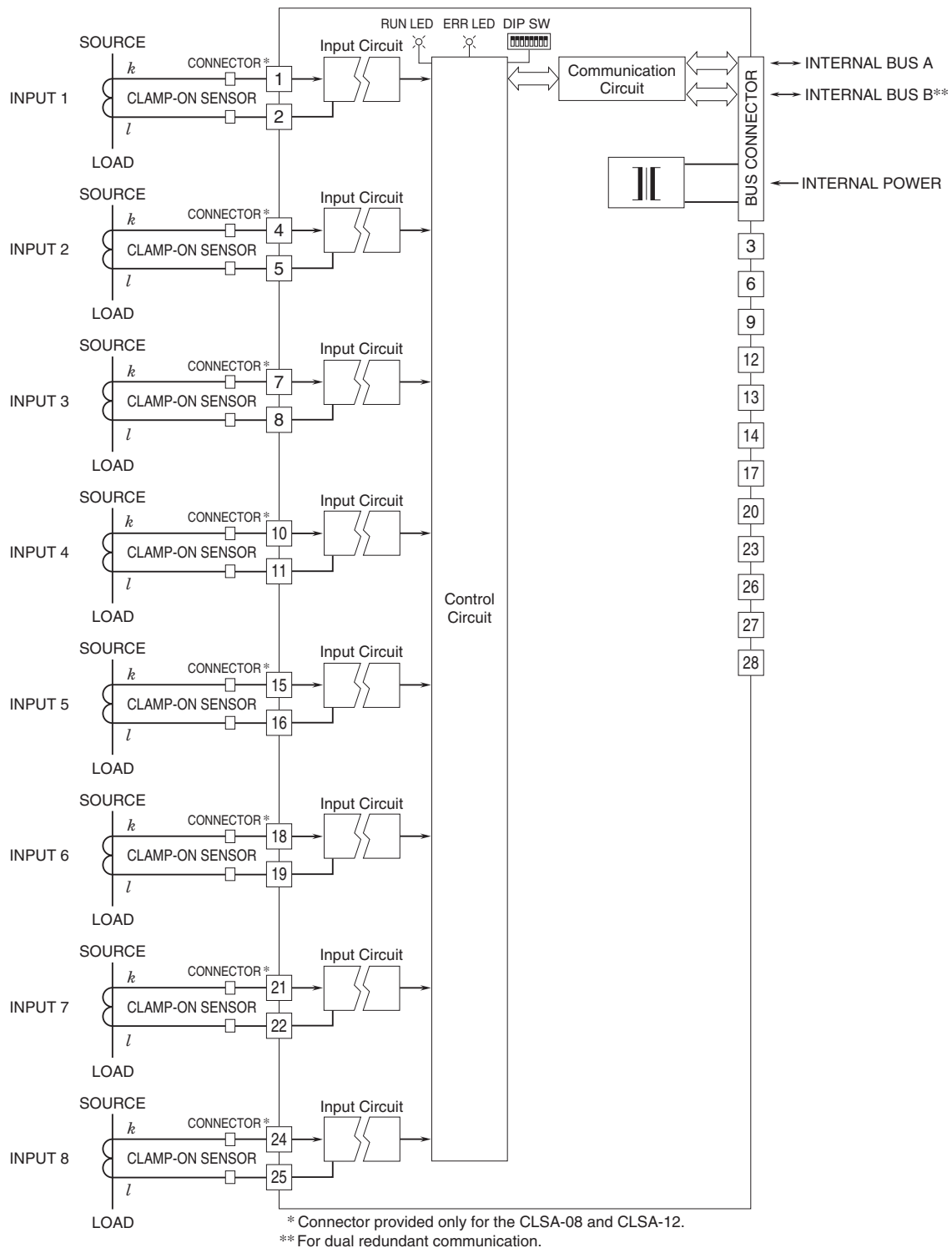
■ FRONT VIEW



EXTERNAL DIMENSIONS & TERMINAL ASSIGNMENTS unit: mm [inch]



SCHEMATIC CIRCUITRY & CONNECTION DIAGRAM



Specifications are subject to change without notice.