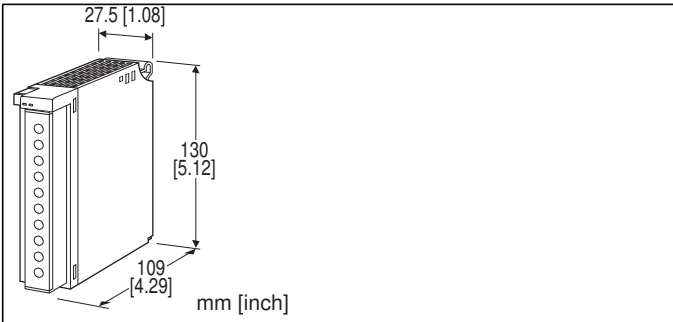


## Remote I/O R3 Series

### ZERO-PHASE CURRENT INPUT MODULE

(4 points, isolated, with noise filter)



### MODEL: R3-CZ4[1][2]

#### ORDERING INFORMATION

- Code number: R3-CZ4[1][2]
- Specify a code from below for each of [1] and [2].  
(e.g. R3-CZ4W/Q)
- Specify the specification for option code /Q  
(e.g. /C01/SET)

#### NO. OF CHANNELS

4: 4

#### [1] COMMUNICATION MODE

S: Single  
W: Dual

#### [2] OPTIONS

Other Options  
blank: none  
/Q: Option other than the above (specify the specification)

#### SPECIFICATIONS OF OPTION: Q

COATING (For the detail, refer to our web site.)  
/C01: Silicone coating  
/C02: Polyurethane coating  
/C03: Rubber coating  
EX-FACTORY SETTING  
/SET: Preset according to the Ordering Information Sheet  
(No. ESU-8447)

#### GENERAL SPECIFICATIONS

Connection  
Internal bus: Via the Installation Base (model: R3-BSx)  
Input: M3.5 screw terminals (torque 0.8 N·m)

Internal power: Via the Installation Base (model: R3-BSx)  
Screw terminal: Nickel-plated steel  
Isolation: Input 1 to input 2 to input 3 to input 4 to internal bus or internal power  
Input range: Selectable with the side DIP SW  
Conversion rate: Selectable with the side DIP SW  
RUN indicator: Bi-color (red/green) LED;  
Red when the bus A operates normally;  
Green when the bus B operates normally;  
Amber when both buses operate normally.  
ERR indicator: Bi-color (red/green) LED;  
Red with input abnormality;  
Green in normal operating conditions.  
Low-end cutout: Converted as 0 % for the input below 2 %

#### INPUT SPECIFICATIONS

Input: 0 - 1.5 mA AC, 0 - 0.1 mA AC  
Input resistance: Input resistor 10 Ω incorporated  
Frequency: 45 - 65 Hz  
Overload capacity: 200 % for 1 minute,  
120 % continuous  
Operational range: 5 - 115 % of rating

#### INSTALLATION

Operating temperature: -10 to +55°C (14 to 131°F)  
Operating humidity: 30 to 90 %RH (non-condensing)  
Atmosphere: No corrosive gas or heavy dust  
Mounting: Installation Base (model: R3-BSx)  
Weight: 200 g (0.44 lb)

#### PERFORMANCE

Conversion accuracy: Refer to the table at the end of this section.  
Conversion rate: 80 / 40 / 20 / 10 msec. selectable  
Data range: 0 - 10000 of the input range  
Data allocation: 4  
Current consumption: 60 mA  
Temp. coefficient: ±0.015 %/°C (±0.008 %/°F)  
Input response time: ≤ 0.5 sec. (0 - 90 %)  
Insulation resistance: ≥ 100 MΩ with 500 V DC  
Dielectric strength: 1500 V AC @ 1 minute (input 1 to input 2 to input 3 to input 4 to internal bus or internal power)  
2000 V AC @ 1 minute (power input to FG; isolated on the power supply module)

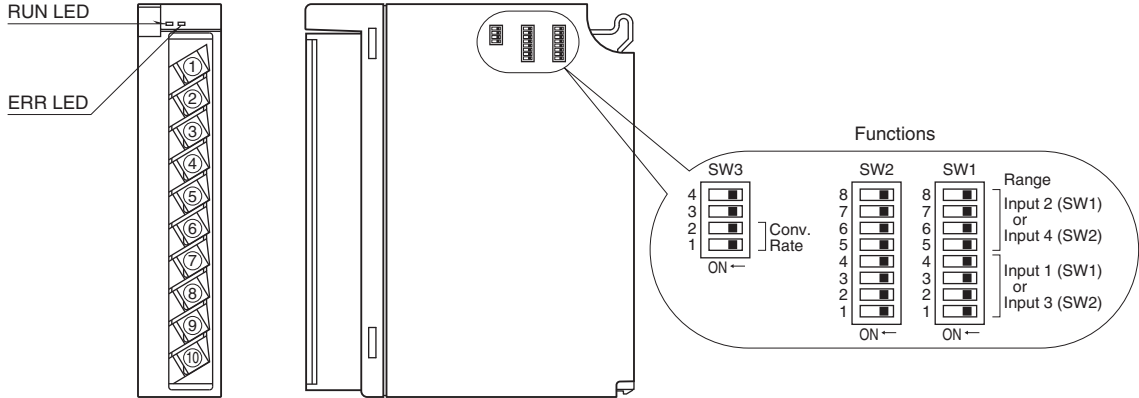
#### Conversion accuracy

RANGE	RATE	80 msec.	40 msec.	20 msec.	10 msec.
0 - 1.5mA		±0.5%	±0.5%	±1.0%	±2.0%
0 - 0.1mA		±0.5%	±0.5%	±1.0%	±2.0%

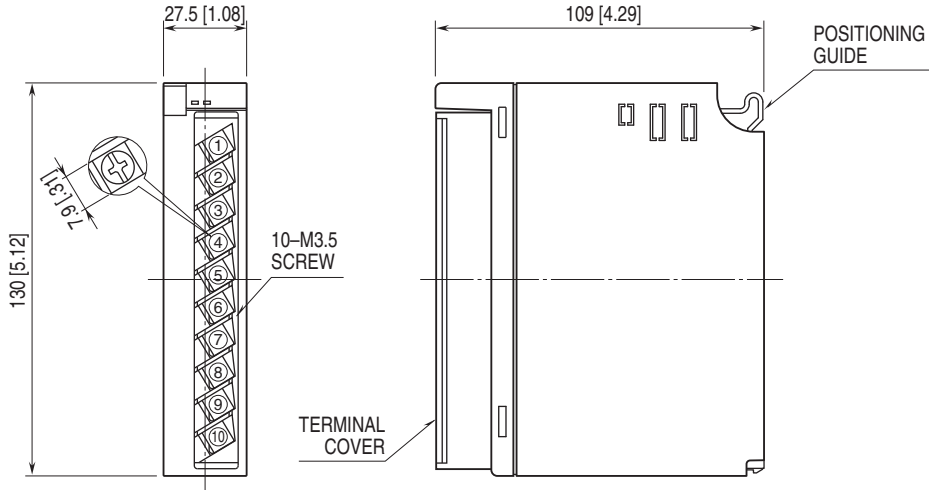
**EXTERNAL VIEW**

■ FRONT VIEW

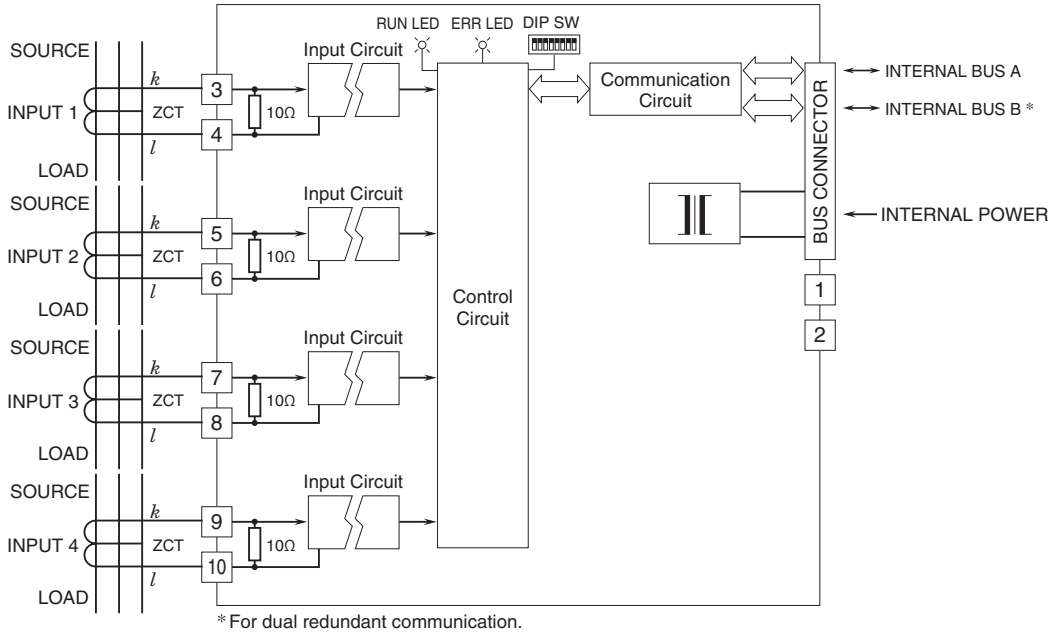
■ SIDE VIEW



**EXTERNAL DIMENSIONS & TERMINAL ASSIGNMENTS unit: mm [inch]**



**SCHEMATIC CIRCUITRY & CONNECTION DIAGRAM**



Specifications are subject to change without notice.