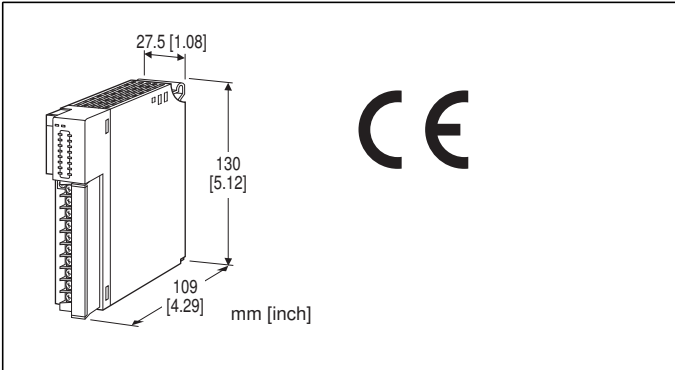


Remote I/O R3 Series

AC CONTACT INPUT MODULE

(Di 16 points)



MODEL: R3-DA16B[1][2]

ORDERING INFORMATION

- Code number: R3-DA16B[1][2]
- Specify a code from below for each of [1] and [2].
(e.g. R3-DA16BW/CE/Q)
- Specify the specification for option code /Q
(e.g. /C01)

NO. OF CHANNELS

16: 16

INPUT

B: AC CONTACT INPUT

[1] COMMUNICATION MODE

S: Single

W: Dual

[2] OPTIONS (multiple selections)

Standards & Approvals

blank: Without CE

/CE: CE marking

Other Options

blank: none

/Q: Option other than the above (specify the specification)

SPECIFICATIONS OF OPTION: Q

COATING (For the detail, refer to our web site.)

/C01: Silicone coating

/C02: Polyurethane coating

/C03: Rubber coating

GENERAL SPECIFICATIONS

Connection

Internal bus: Via the Installation Base (model: R3-BSx)

Input: M3 separable screw terminal (torque 0.5 N·m)

Internal power: Via the Installation Base (model: R3-BSx)

Screw terminal: Nickel-plated steel

Isolation: Input to internal bus or internal power

Excitation monitor: Selectable with side DIP switch; ON/OFF setting available

RUN indicator: Bi-color (red/green) LED;

Red when the bus A operates normally;

Green when the bus B operates normally;

Amber when both buses operate normally.

ERR indicator: Bi-color (red/green) LED;

Red with excitation abnormality;

Green in normal operating conditions.

Input status indicator: Red LED; turns on with the input ON.

INPUT SPECIFICATIONS

Number of input: 16 points

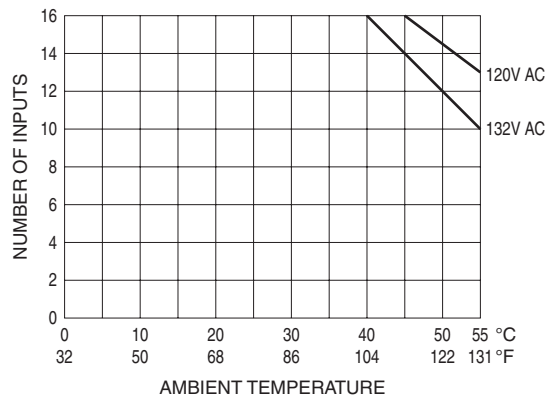
Input voltage: 100 - 132 V AC

Input resistance: 12 kΩ (60 Hz), 15 kΩ (50 Hz)

Common: All points (2 terminals)

ON voltage/current: ≥ 80 V AC, ≥ 5 mA

OFF voltage/current: ≤ 30 V AC, ≤ 1.7 mA



INSTALLATION

Operating temperature: -10 to +55°C (14 to 131°F)

Operating humidity: 30 to 90 %RH (non-condensing)

Atmosphere: No corrosive gas or heavy dust

Mounting: Installation Base (model: R3-BSx)

Weight: 200 g (0.44 lb)

PERFORMANCE

Data allocation: 1

Current consumption: 80 mA

Response time: ≤ 0.1 sec.

Insulation resistance: ≥ 100 M Ω with 500 V DC

Dielectric strength: 2000 V AC @ 1 minute

(input to internal bus or internal power)

2000 V AC @ 1 minute (power input to FG; isolated on the power supply module)

STANDARDS & APPROVALS

EU conformity:

EMC Directive

EMI EN 61000-6-4

EMS EN 61000-6-2

Low Voltage Directive

EN 61010-1, EN 61010-2-201

Measurement Category II (contact input)

Pollution Degree 2

Input to internal bus or internal power: Reinforced insulation (150 V)

RoHS Directive

FUNCTIONS

•Excitation Monitor ON

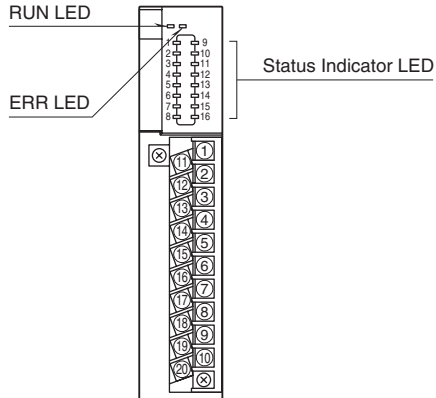
The input is held at the last status when the loss of excitation is detected. The excitation must be connected across the terminal 9 (19) and 10 (20).

•Excitation Monitor OFF

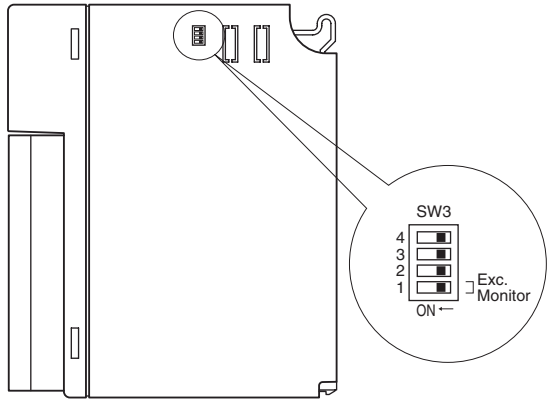
All input signals are turned off when the loss of excitation is detected.

EXTERNAL VIEW

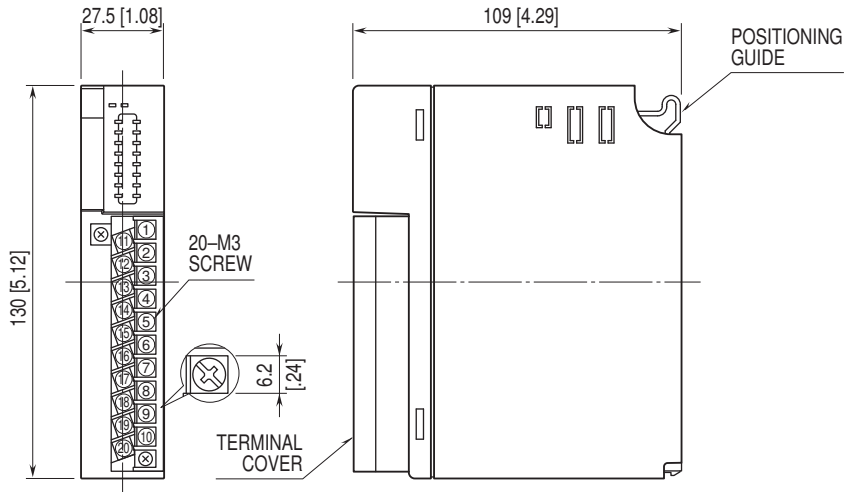
■FRONT VIEW



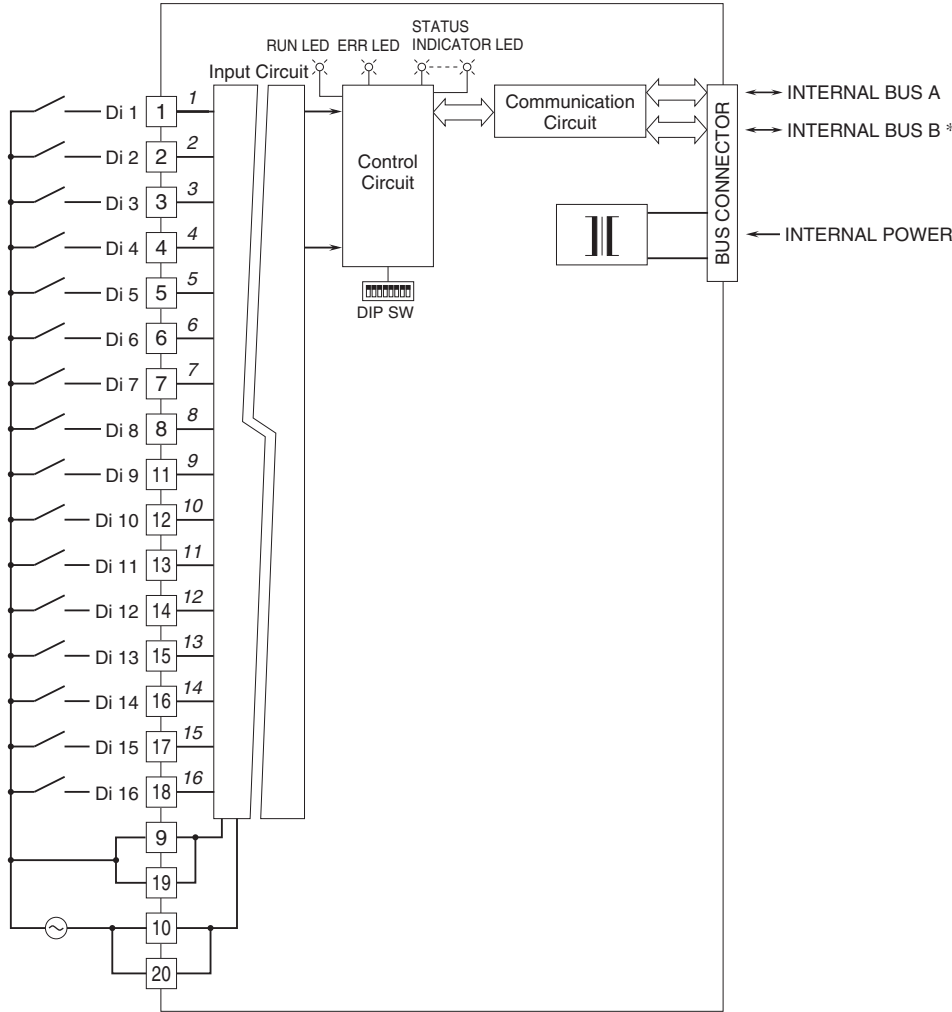
■SIDE VIEW



EXTERNAL DIMENSIONS & TERMINAL ASSIGNMENTS unit: mm [inch]

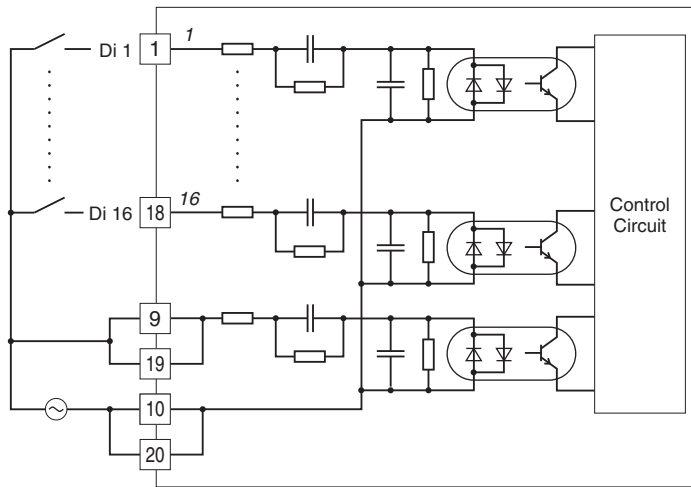


SCHEMATIC CIRCUITRY & CONNECTION DIAGRAM



Numbers in italic indicate LED No.s assigned to the front panel LEDs.
 *For dual redundant communication.

■ Input Circuit





Specifications are subject to change without notice.