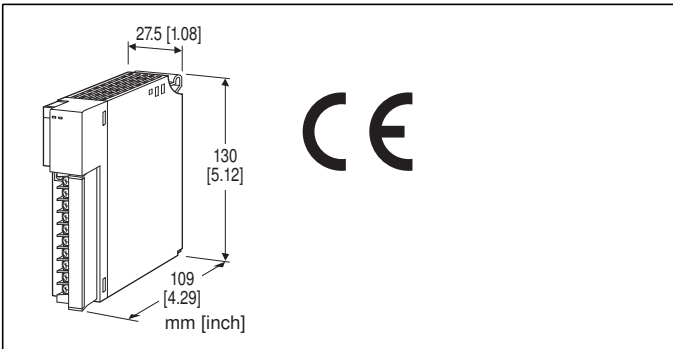


## Remote I/O R3 Series

### 4 - 20 mA INPUT MODULE

(2-wire transmitter excitation supply; 4 points, isolated)



### MODEL: R3-DS4[1][2]

#### ORDERING INFORMATION

- Code number: R3-DS4[1][2]  
Specify a code from below for each of [1] and [2].  
(e.g. R3-DS4W/CE/Q)
- Specify the specification for option code /Q  
(e.g. /C01/SET)

#### NO. OF CHANNELS

4: 4

#### [1] COMMUNICATION MODE

S: Single

W: Dual

#### [2] OPTIONS (multiple selections)

Standards & Approvals

**blank:** Without CE

/CE: CE marking

Other Options

**blank:** none

/Q: Option other than the above (specify the specification)

#### SPECIFICATIONS OF OPTION: Q (multiple selections)

COATING (For the detail, refer to our web site.)

/C01: Silicone coating

/C02: Polyurethane coating

/C03: Rubber coating

EX-FACTORY SETTING

/SET: Preset according to the Ordering Information Sheet

(No. ESU-8368)

#### GENERAL SPECIFICATIONS

##### Connection

**Internal bus:** Via the Installation Base (model: R3-BSx)

**Input:** M3 separable screw terminal (torque 0.5 N·m)

**Internal power:** Via the Installation Base (model: R3-BSx)

**Screw terminal:** Nickel-plated steel

**Isolation:** Input 1 to input 2 to input 3 to input 4 to internal bus or internal power

**Conversion rate:** Selectable with the side DIP SW

**RUN indicator:** Bi-color (red/green) LED;

Red when the bus A operates normally;

Green when the bus B operates normally;

Amber when both buses operate normally.

**ERR indicator:** Bi-color (red/green) LED;

Red with input circuit abnormality (AD converter response failure);

Green in normal operating conditions.

#### SUPPLY OUTPUT

(across the terminals 1 - 2, 3 - 4, 6 - 7 and 8 - 9)

**Output voltage:** 24 - 28 V DC with no load

16 V DC min. at 22 mA

**Current rating:** ≤ 22 mA DC

• **Shortcircuit Protection**

**Current limited:** Approx. 30 mA

**Protected time duration:** No limit

#### INPUT SPECIFICATIONS

■ **DC Current:** 4 - 20 mA DC

**Input resistance:** 250 Ω resistor incorporated

#### INSTALLATION

**Operating temperature:** -10 to +55°C (14 to 131°F)

**Operating humidity:** 30 to 90 %RH (non-condensing)

**Atmosphere:** No corrosive gas or heavy dust

**Mounting:** Installation Base (model: R3-BSx)

**Weight:** 200 g (0.44 lb)

## PERFORMANCE

**Conversion accuracy:** Refer to the table at the end of this section.

**Conversion rate:** 80 / 40 / 20 / 10 msec. selectable  
(factory default: 80 msec.)

**Data range:** 0 - 10000

**Data allocation:** 4

**Current consumption:** 210 mA

**Temp. coefficient:**  $\pm 0.015\% / ^\circ\text{C}$  ( $\pm 0.008\% / ^\circ\text{F}$ )

**Response time:**  $\leq 0.2$  sec. (0 - 90 %)

**Insulation resistance:**  $\geq 100\text{ M}\Omega$  with 500 V DC

**Dielectric strength:** 1500 V AC @ 1 minute (input 1 to input 2 to input 3 to input 4 to internal bus or internal power)

2000 V AC @ 1 minute (power input to FG; isolated on the power supply module)

**Conversion accuracy:**

RATE	80 msec.	40 msec.	20 msec.	10 msec.
Accuracy	$\pm 0.05\%$	$\pm 0.1\%$	$\pm 0.2\%$	$\pm 0.4\%$

## STANDARDS & APPROVALS

**EU conformity:**

EMC Directive

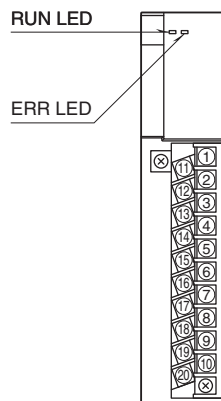
EMI EN 61000-6-4

EMS EN 61000-6-2

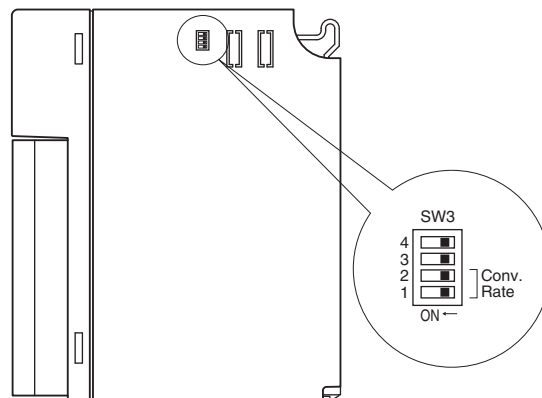
RoHS Directive

## EXTERNAL VIEW

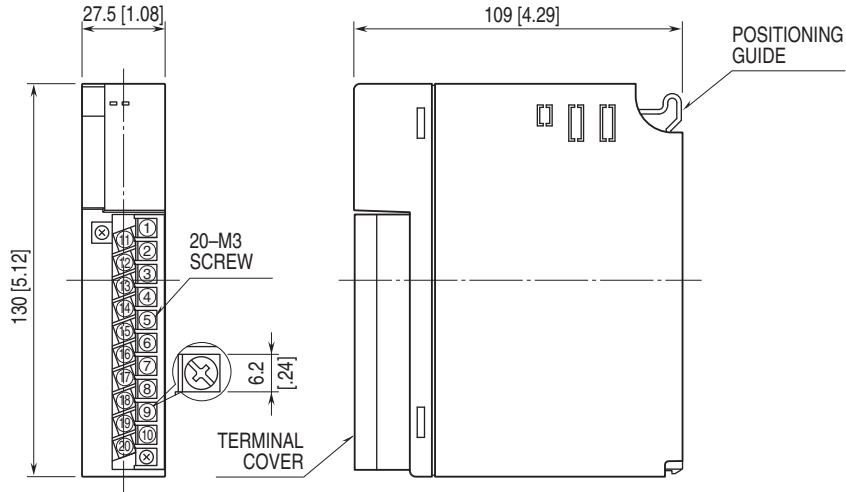
### FRONT VIEW



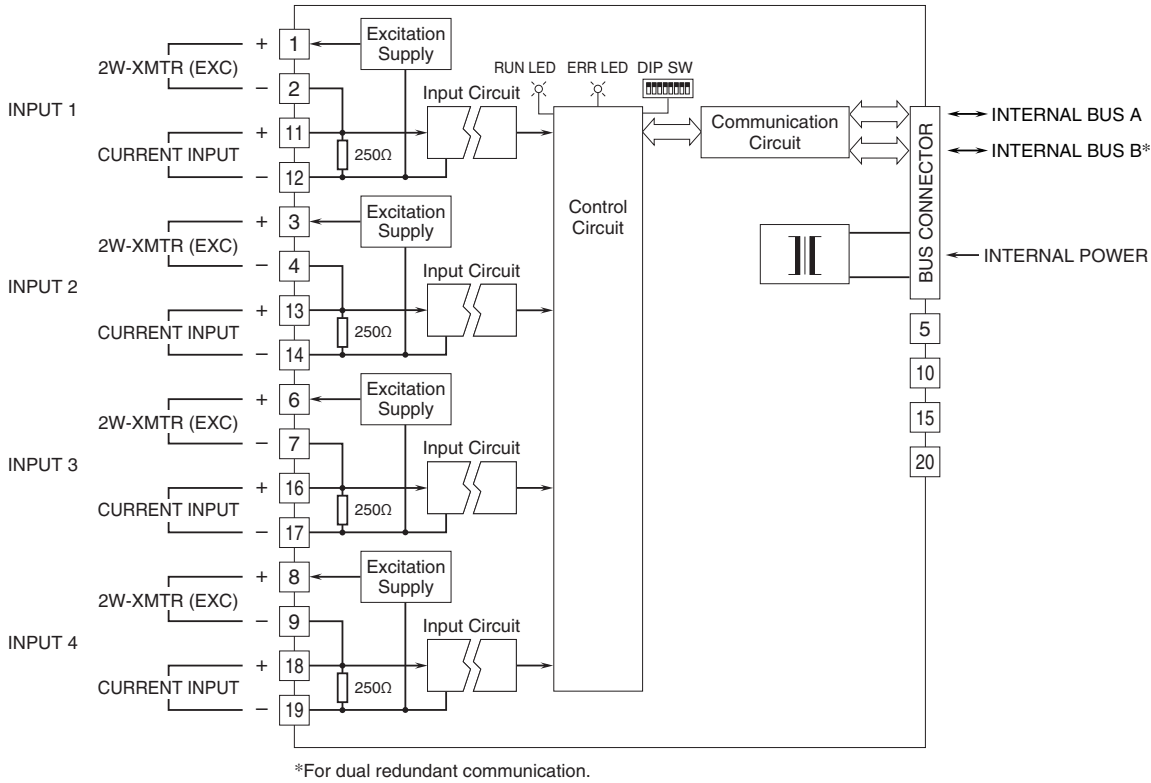
### SIDE VIEW



## EXTERNAL DIMENSIONS & TERMINAL ASSIGNMENTS unit: mm [inch]

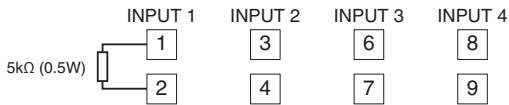


## SCHEMATIC CIRCUITRY & CONNECTION DIAGRAM



### • Unused Input Channels

Close across the unused input terminals with a resistor (5kΩ, 0.5W) as shown below.



Unused channels left open are equal to the input lower than -15%, which sets a data abnormality at the PLC or the host device.

Unused channels can be specified and set so on the PC Configurator Software (model: R3CON) without needing to connect resistors at the field terminals.



Specifications are subject to change without notice.