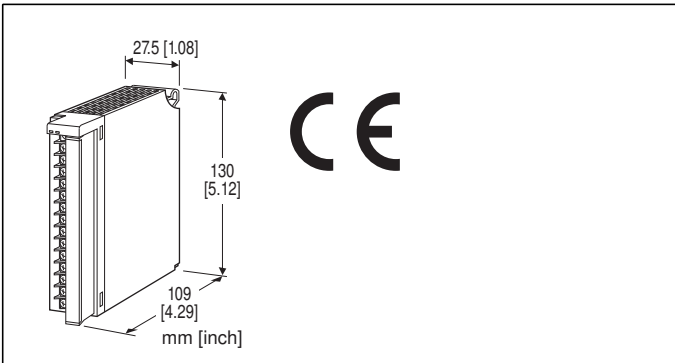


Remote I/O R3 Series

POTENTIOMETER INPUT MODULE

(8 points, isolated)



MODEL: R3-MS8[1][2]

ORDERING INFORMATION

- Code number: R3-MS8[1][2]
- Specify a code from below for each of [1] and [2].
(e.g. R3-MS8W/CE/Q)
- Specify the specification for option code /Q
(e.g. /C01/SET)

INPUT

Total resistance 500 Ω - 100 kΩ

NO. OF CHANNELS

8: 8

[1] COMMUNICATION MODE

S: Single
W: Dual

[2] OPTIONS (multiple selections)

Standards & Approvals

blank: Without CE

/CE: CE marking

Other Options

blank: none

/Q: Option other than the above (specify the specification)

SPECIFICATIONS OF OPTION: Q (multiple selections)

COATING (For the detail, refer to our web site.)

/C01: Silicone coating

/C02: Polyurethane coating

/C03: Rubber coating

EX-FACTORY SETTING

/SET: Preset according to the Ordering Information Sheet
(No. ESU-8402)

GENERAL SPECIFICATIONS

Connection

Internal bus: Via the Installation Base (model: R3-BSx)

Input: M3 separable screw terminal (torque 0.5 N·m)

Internal power: Via the Installation Base (model: R3-BSx)

Screw terminal: Nickel-plated steel

Isolation: Input 1 to input 2 to input 3 to input 4 to input 5 to input 6 to input 7 to input 8 to internal bus or internal power

Conversion rate: Selectable with the side DIP SW

RUN indicator: Bi-color (red/green) LED;

Red when the bus A operates normally;

Green when the bus B operates normally;

Amber when both buses operate normally.

ERR indicator: Bi-color (red/green) LED;

Red with input abnormality;

Green in normal operating conditions.

INPUT SPECIFICATIONS

Minimum span: 50 % of the total resistance range

Excitation: Approx. 0.5 V DC

INSTALLATION

Operating temperature: -10 to +55°C (14 to 131°F)

Operating humidity: 30 to 90 %RH (non-condensing)

Atmosphere: No corrosive gas or heavy dust

Mounting: Installation Base (model: R3-BSx)

Weight: 250 g (0.55 lb)

PERFORMANCE

Conversion accuracy: Refer to the table at the end of this section.

The resolution and conversion accuracy are defined against the potentiometer's total resistance. If the actual resistance range (between the zero and span positions) is narrower than the total resistance, the values change in proportion. Using at least 50 % of the total resistance is basically recommended.

Conversion rate: 160 / 80 / 40 / 20 msec. selectable

Data range: 0 - 10000

Data allocation: 8

Current consumption: Approx. 100 mA

Temp. coefficient: ±0.015 % /°C

Temperature coefficient is defined against the potentiometer's total resistance. If the actual resistance range (between the zero and span positions) is narrower than the total resistance, the values change in proportion. Using at least 50 % of the total resistance is basically recommended.

Insulation resistance: ≥ 100 MΩ with 500 V DC

Dielectric strength: 1000 V AC @ 1 minute (input 1 to input 2 to input 3 to input 4 to input 5 to input 6 to input 7 to input 8 to internal bus or internal power)

2000 V AC @ 1 minute (power input to FG; isolated on the power supply module)

Conversion accuracy

	CONVERSION RATE			
	160 msec.	80 msec.	40 msec.	20 msec.
Resolution	1/10000	1/5000	1/2500	1/1250
Accuracy	±0.05%	±0.1%	±0.2%	±0.4%

STANDARDS & APPROVALS

EU conformity:

EMC Directive

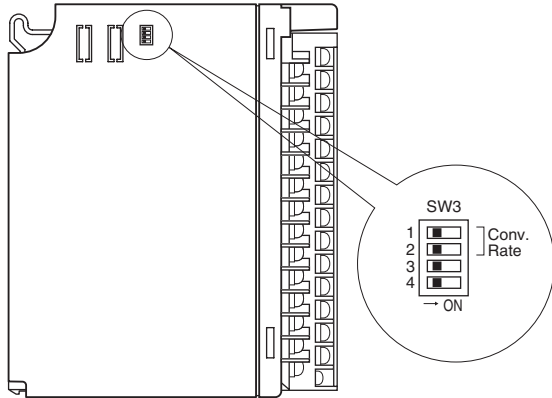
EMI EN 61000-6-4

EMS EN 61000-6-2

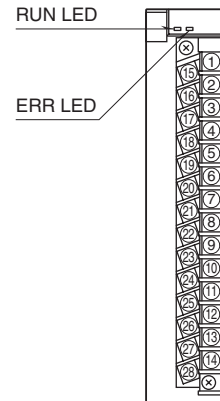
RoHS Directive

EXTERNAL VIEW

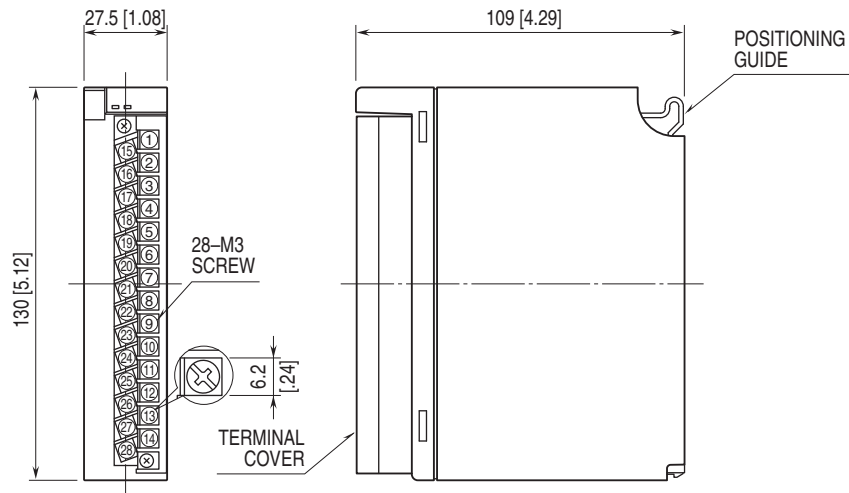
■ SIDE VIEW



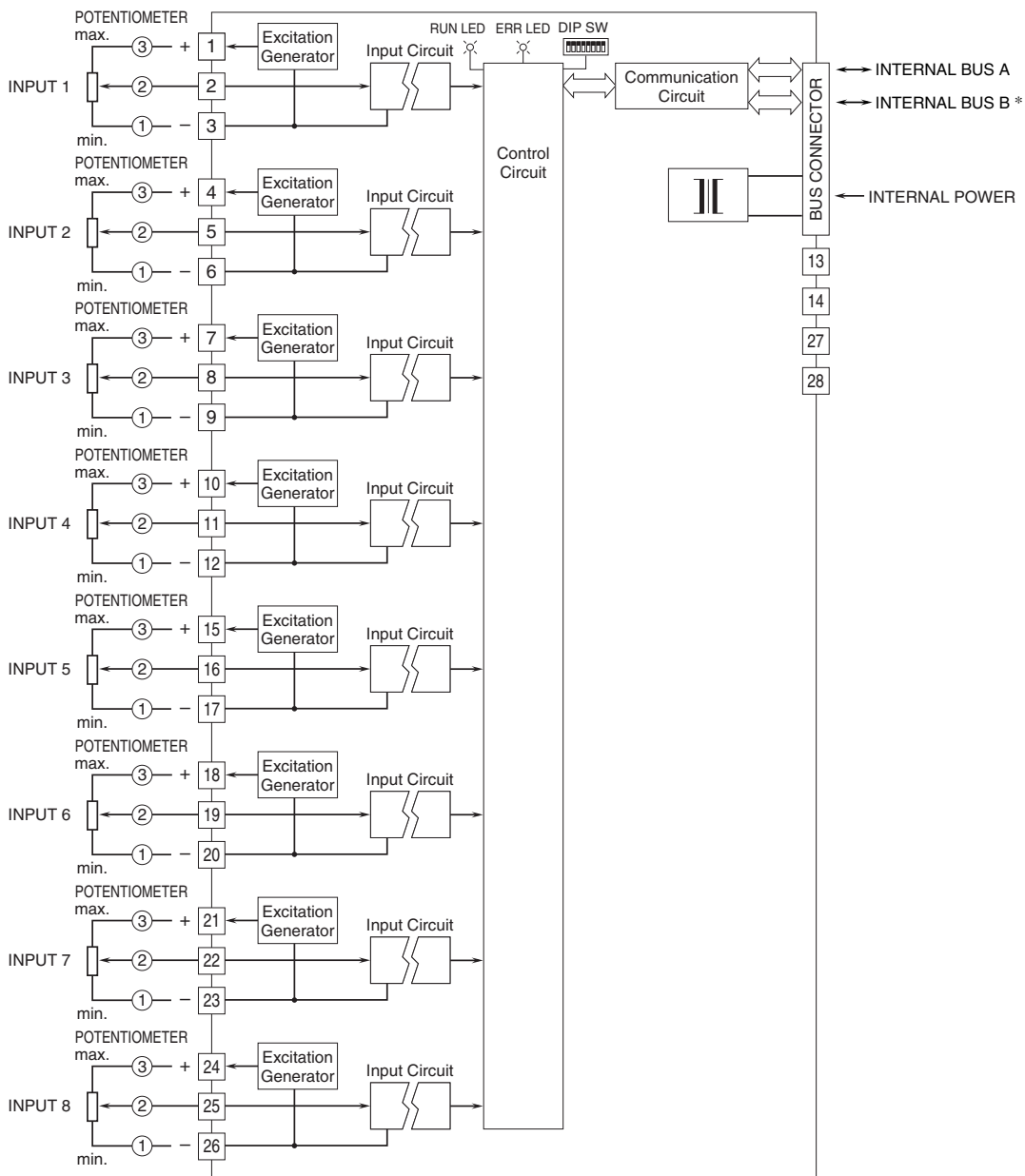
■ FRONT VIEW



EXTERNAL DIMENSIONS & TERMINAL ASSIGNMENTS unit: mm [inch]

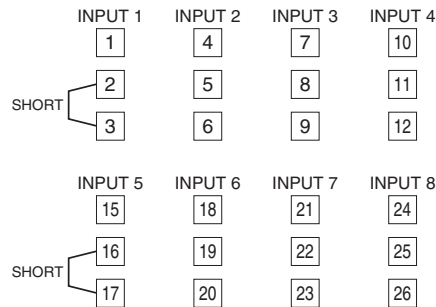


SCHEMATIC CIRCUITRY & CONNECTION DIAGRAM



• Unused Input Channels

Close across the unused input terminals as shown below.



The input will become unstable if unused channels are left open.
 Unused channels can be specified and set so on the PC Configurator Software (model: R3CON) without needing to short at the field terminals.



Specifications are subject to change without notice.