

## Remote I/O R3 Series

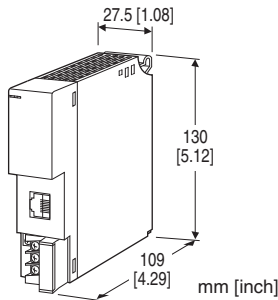
### EtherNet/IP INTERFACE MODULE

#### Functions & Features

- Converts analog and discrete I/O data to the open network fieldbus (EtherNet/IP)

#### Typical Applications

- Remote I/O for DCS and PLC



## MODEL:R3-NEIP1[1]

### ORDERING INFORMATION

- Code number: R3-NEIP1[1]
- Specify a code from below for [1].  
(e.g. R3-NEIP1/CE/Q)
- Specify the specification for option code /Q  
(e.g. /C01)

### [1] OPTIONS (multiple selections)

Standards & Approvals

**blank:** Without CE

**/CE:** CE marking

Other Options

**blank:** none

**/Q:** Option other than the above (specify the specification)

### SPECIFICATIONS OF OPTION: Q

COATING (For the detail, refer to our web site.)

**/C01:** Silicone coating

**/C02:** Polyurethane coating

**/C03:** Rubber coating

### RELATED PRODUCTS

- PC configurator software (model: R3CON)
- EDS file

The EDS file and configurator software are downloadable at our web site.

A dedicated cable is required to connect the module to the PC. Please refer to the internet software download site or the users manual for the PC configurator for applicable cable types.

### GENERAL SPECIFICATIONS

#### Connection

**Ethernet:** RJ-45 Modular Jack

**Internal bus:** Via the Installation Base (model: R3-BSx)

**Internal power:** Via the Installation Base (model: R3-BSx)

**RUN contact output:** M3 separable screw terminal (torque 0.5 N·m)

**Screw terminal:** Nickel-plated steel

**Isolation:** EtherNet/IP to internal bus or internal power to RUN contact output

**Input error data setting:** Input value setting at input module error with side DIP SW

**Dual communication setting:** Set with the side DIP switch

**Data allocation setting:** Set with the side DIP switch

#### ■ RUN CONTACT OUTPUT

**RUN contact:** Turns ON when both MS and NS LEDs are green (EtherNet/IP in normal communication).

**Rated load:** 250 V AC @ 0.5 A (cos  $\phi$  = 1)

30 V DC @ 0.5 A (resistive load)

(Less than 50 V AC to conform with EU Directive)

**Maximum switching voltage:** 250 V AC or 30 V DC

**Maximum switching power:** 250 VA or 150 W

**Minimum load:** 1 V DC @ 1 mA

**Mechanical life:**  $2 \times 10^7$  cycles (300 cycles/min.)

When driving an inductive load, external contact protection and noise quenching recommended.

### EtherNet/IP COMMUNICATION

**Communication Standard:** IEEE 802.3u

**Transmission:** 10BASE-T, 100BASE-TX

**Baud rate:** 10/100 Mbps (Auto Negotiation function)

**Max. number of socket connections:** 3

**Connection type:** Exclusive owner, Listen only, Input only

**Protocol:** EtherNet/IP

**Transmission media:** 10BASE-T (STP, Category 5)

100BASE-TX (STP, Category 5e)

**Max. length of fieldbus segment:** 100 meters

**IP address:** 192.168.0.1 (factory setting); Selectable with PC Configurator Software (model: R3CON)

BOOTP and DHCP available

**Port No.:** 44818

**I/O data area size:** Input and output data area size set with side DIP SW

**Required data words:**

**Input:** 35, 67, 131, 252 words

**Output:** 35, 67, 131, 252 words (3 words are used only for

status)

**Ethernet indicator LED:** TX/RX, LINK

**MS (Module Status) indicator:** Bi-color (green/red) LED indicates device status.

**NS (Network Status) indicator:** Bi-color (green/red) LED indicates status of the communication link.

Note: Not connectable beyond router.

## INSTALLATION

**Operating temperature:** -10 to +55°C (14 to 131°F)

**Operating humidity:** 30 to 90 %RH (non-condensing)

**Atmosphere:** No corrosive gas or heavy dust

**Mounting:** Installation Base (model: R3-BSx)

**Weight:** 200 g (0.44 lb)

## PERFORMANCE

**Current consumption:** 130 mA

**Insulation resistance:**  $\geq 100 \text{ M}\Omega$  with 500 V DC

**Dielectric strength:** 1500 V AC @ 1 minute

(EtherNet/IP to internal bus or internal power to RUN contact output)

2000 V AC @ 1 minute (power input to FG; isolated on the power supply module)

## STANDARDS & APPROVALS

**EU conformity:**

EMC Directive

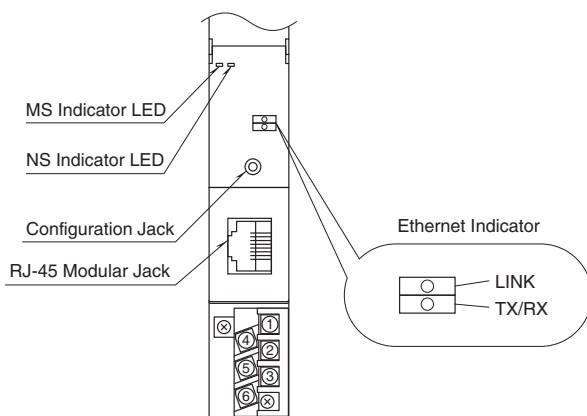
EMI EN 61000-6-4

EMS EN 61000-6-2

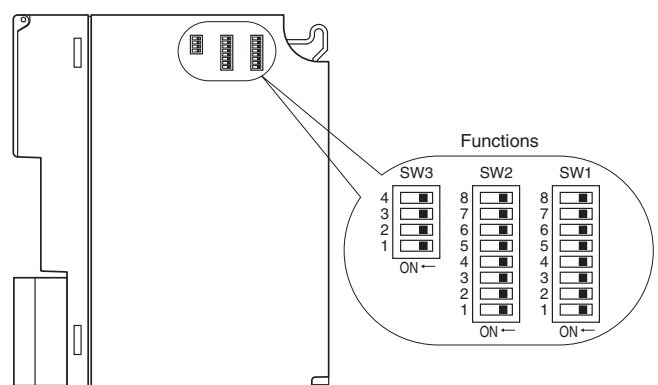
RoHS Directive

## EXTERNAL VIEW

### FRONT VIEW



### SIDE VIEW



## TRANSMISSION DATA DESCRIPTIONS

The DIP SW located at the side of the module specifies each I/O module's data allocation (occupied data area and size of the I/O data area). For example, when the data areas are assigned as shown below:

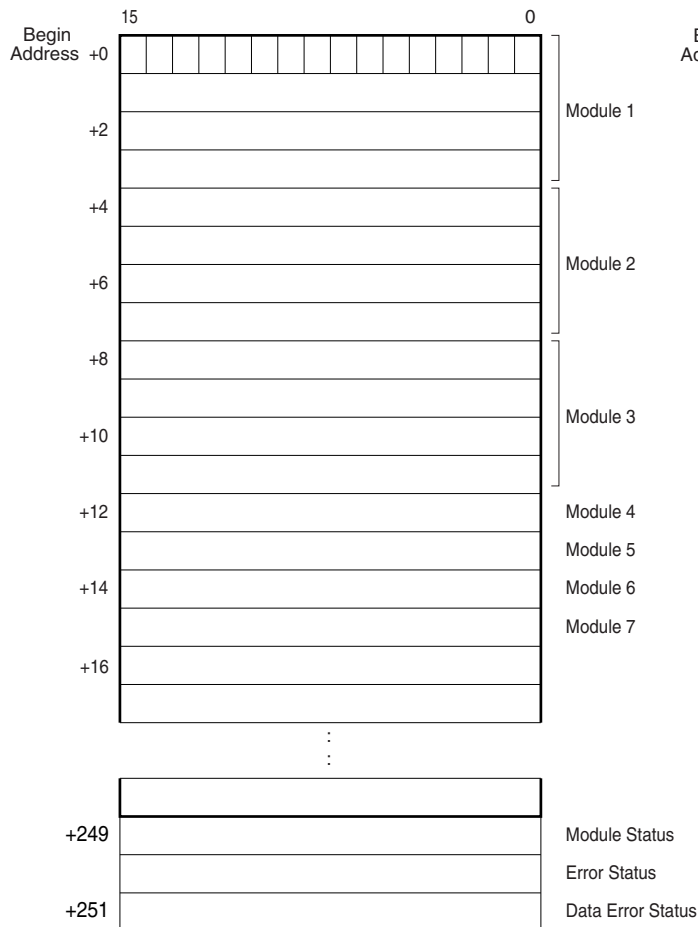
Module 1	4
Module 2	4
Module 3	4
Module 4	1
Module 5	1
Module 6	1
Module 7	1

I/O data area: 252 words each for input and output.

Then the I/O data are assigned as in the figures below:

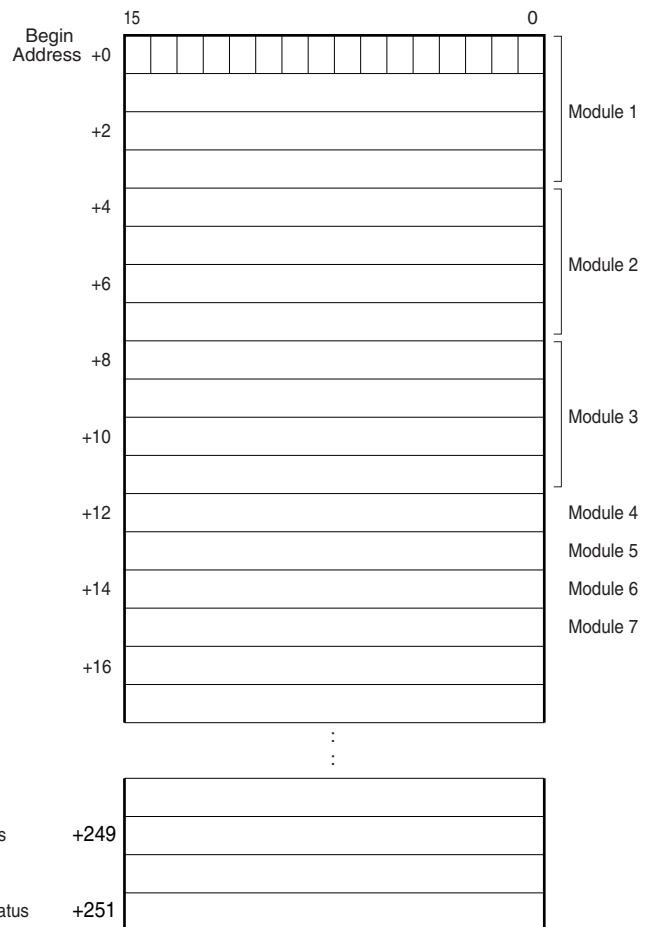
### ■ OUTPUT DATA

The figure below shows the allocation of the data sent from the network module to the master.



### ■ INPUT DATA

The figure below shows the allocation of the data sent from the master to the network module.



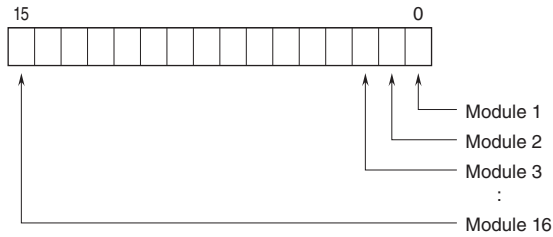
The area enclosed with bold line is assigned for I/O data

Module Status, Error Status and Data Error Status are assigned to the last three words of the output data respectively. Each module can handle either input or output data.

- Module Status indicates whether individual I/O module are mounted or not. The bit corresponding to the mounted slots turns to "1," and the unmounted slots to "0."
- Error Status indicates error status for each module as described below. The bit corresponding to such modules turns to "1."
  - R3-TSx, R3-RSx, R3-US4 (T/C or RTD input): Input burnout
  - R3-DA16A: Power input in error or disconnected
  - R3-YSx: Output current error (e.g. load unconnected)
  - R3-PC16A: External power supply in error or disconnected
- Data Error Status indicates overrange (R3-US4: out of -10% to +110%; the other types: out of -15% to +115%) status for each module. The bit corresponding to such modules turns to "1."

## MODULE STATUS, ERROR STATUS, DATA ERROR STATUS

Shows each module's availability and error status.



## I/O DATA DESCRIPTIONS

The data allocations for typical I/O modules are shown below.  
Refer to the manual for each module for detailed data allocations.

### ■ ANALOG DATA (16-bit data, models: R3-SV4, YV4, DS4, YS4, US4, etc.)

16-bit binary data.  
Basically, 0 to 100% of the selected I/O range is converted into 0 to 10000 (binary).  
-15 to 0 % is a negative range represented in 2's complement.  
In case of R3-US4, -10 to 0% is a negative range represented in 2's complement.



### ■ TEMPERATURE DATA (16-bit data, models: R3-RS4, TS4, US4, etc.)

16-bit binary data.  
With °C temperature unit, raw data is multiplied by 10. For example, 25.5°C is converted into 255.  
With °F temperature unit, the integer section of raw data is directly converted into the data.  
For example, 135.4°F is converted into 135.  
Minus temperature is converted into negative values, represented in 2's complements.



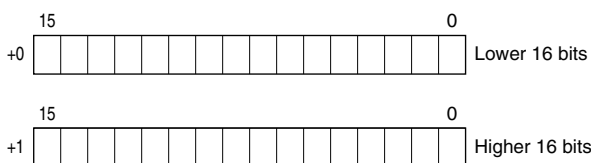
### ■ ANALOG DATA (16-bit data, models: R3-CT4A, CT4B, etc.)

16-bit binary data.  
Integer obtained by multiplying unit value (A) by 100.  
In case of CLSE-R5, integer obtained by multiplying unit value (A) by 1000.



### ■ ACCUMULATED COUNT DATA (32-bit data, models: R3-PA2, PA4A, WT1, WT4, etc.)

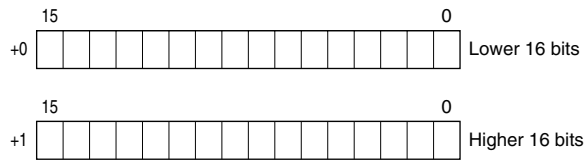
32-bit binary data is used for accumulated counts and encoder positions.  
Lower 16 bits are allocated from the lowest address to higher ones, higher 16 bits in turn.



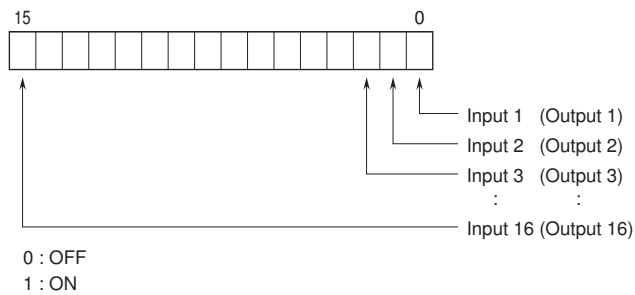
■ BCD DATA (32-bit data, models: R3-BA32A, BC32A, etc.)

32-bit binary data is used for BCD.

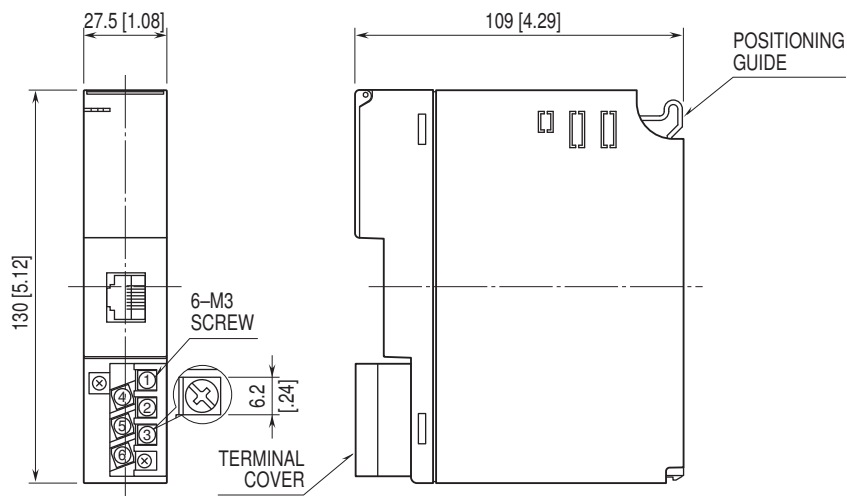
Lower 16 bits are allocated from the lowest address to higher ones, higher 16 bits in turn.



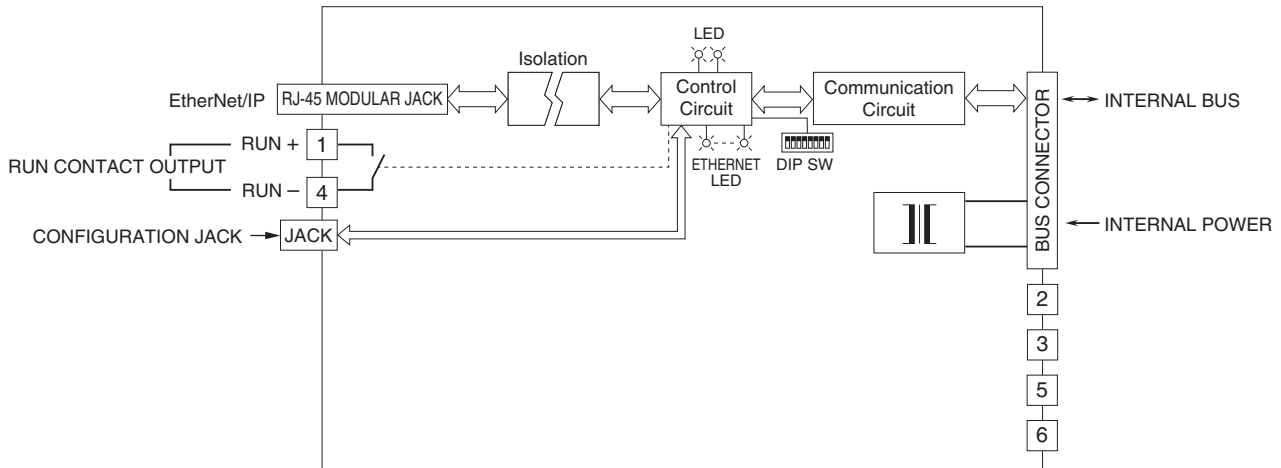
■ 16-POINT DISCRETE DATA (models: R3-DA16, DC16, etc.)



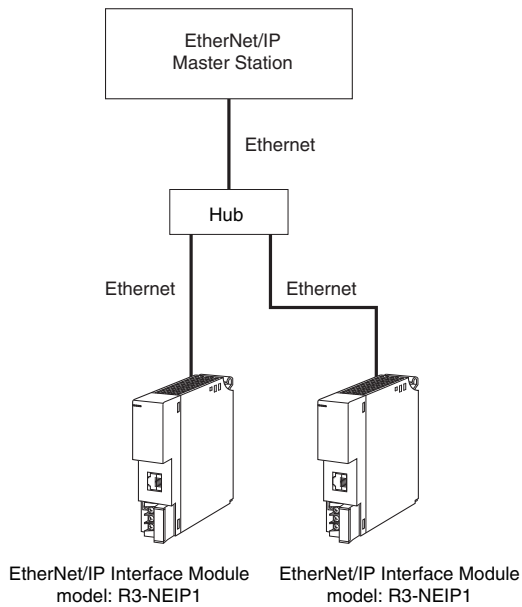
**EXTERNAL DIMENSIONS & TERMINAL ASSIGNMENTS unit: mm [inch]**



## SCHEMATIC CIRCUITRY & CONNECTION DIAGRAM



## SYSTEM CONFIGURATION EXAMPLES



Specifications are subject to change without notice.