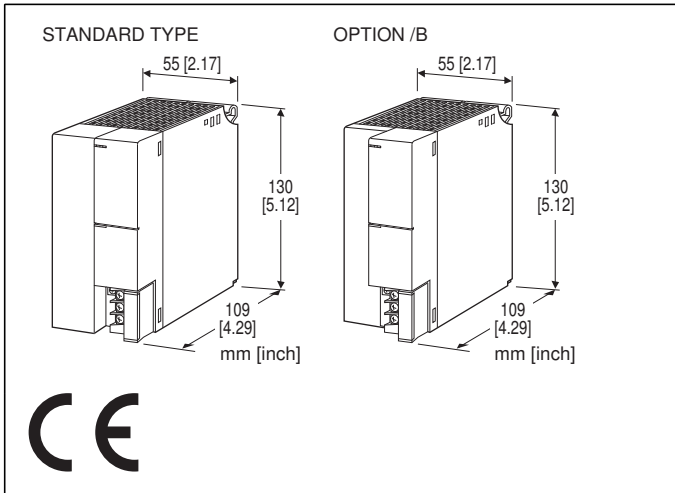


## Remote I/O R3 Series

### POWER SUPPLY MODULE

(double slot, continuous output current 2.0 A)



**MODEL: R3-PS3-[1][2]**

### ORDERING INFORMATION

- Code number: R3-PS3-[1][2]
- Specify a code from below for each of [1] and [2].  
(e.g. R3-PS3-K3/CE/B/Q)
- Specify the specification for option code /Q  
(e.g. /C01)

### [1] POWER INPUT

AC Power

**K:** 85 - 132 V AC

(Operational voltage range 85 - 132 V, 47 - 66 Hz)

(CE not available)

**K3:** 100 - 120V AC

(Operational voltage range 85 - 132 V, 47 - 66 Hz)

(Only /CE available)

**L:** 170 - 264 V AC

(Operational voltage range 170 - 264 V, 47 - 66 Hz)

(CE Not available)

**L3:** 200 - 240 V AC

(Operational voltage range 170 - 264 V, 47 - 66 Hz)

(Only /CE available)

DC Power

**R:** 24 V DC

(Operational voltage range 24 V  $\pm$ 10 %, ripple 10 %p-p max.)

**P:** 110 V DC

(Operational voltage range 85 - 150 V, ripple 10 %p-p max.)

(CE not available)

### [2] OPTIONS (multiple selections)

Standards & Approvals

**blank:** Without CE

**/CE:** CE marking

Housing (refer to the external dimensions)

**blank:** Standard type

**/B:** Type B

Other Options

**blank:** none

**/Q:** Option other than the above (specify the specification)

### SPECIFICATIONS OF OPTION: Q

COATING (For the detail, refer to our web site.)

**/C01:** Silicone coating

**/C02:** Polyurethane coating

**/C03:** Rubber coating

### GENERAL SPECIFICATIONS

Connection

**Internal power output:** Via the Installation Base (model: R3-BSx)

**Power input, RUN contact output:** M3 separable screw terminal (torque 0.5 N·m)

**Screw terminal:** Nickel-plated steel

**Isolation:** Internal power to power input to RUN contact output to FG

**Power indicator LED:** Green LED turns on when the power is supplied.

#### ■ RUN CONTACT OUTPUT

**RUN contact:** Turns on (closed) while the power is supplied.

**Rated load:** 250 V AC @ 0.5 A ( $\cos \phi = 1$ )

30 V DC @ 0.5 A (resistive load)

**Maximum switching voltage:** 250 V AC or 30 V DC

**Maximum switching power:** 250 VA or 150 W

**Minimum load:** 1 V DC @ 1 mA

**Mechanical life:**  $2 \times 10^7$  cycles (rate 300 cycles/min.) When driving an inductive load, external contact protection and noise quenching recommended.

### INSTALLATION

**Power consumption** (Output current: 2.0 A @ 20 V DC)

• **AC:** Approx. 100 VA

• **DC:** Approx. 50 W or 2.0 A at 24 V

**Output current:** 2.0 A continuous at 20 V DC;

2.2 A for 10 minutes

(For dual power supply, the specification of output current is same. Total current continuously consumed at the network modules, I/O modules and interface I/O modules must be within 2.0 A.)

**Operating temperature:** -10 to +55°C (14 to 131°F)

**Operating humidity:** 30 to 90 %RH (non-condensing)

**Atmosphere:** No corrosive gas or heavy dust

**Mounting:** Installation Base (model: R3-BSx)

**Weight:** 450 g (0.99 lb)

## PERFORMANCE

**Insulation resistance:**  $\geq 100 \text{ M}\Omega$  with 500 V DC

**Dielectric strength:** 2000 V AC @ 1 minute

(internal power to power input to RUN contact output to FG)

## STANDARDS & APPROVALS

**EU conformity:**

EMC Directive

EMI EN 61000-6-4

EMS EN 61000-6-2

Low Voltage Directive

EN 61010-1, EN 61010-2-201

Measurement Category II (RUN contact output)

Installation Category II (power input)

Pollution Degree 2

Internal power to power input: Reinforced insulation

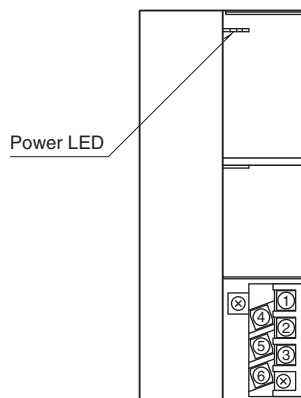
(300 V)

Internal power to RUN contact output: Basic insulation

(300 V)

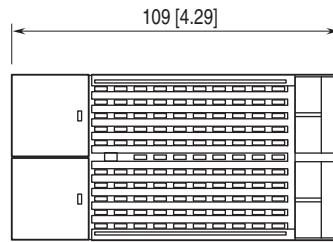
RoHS Directive

## EXTERNAL VIEW

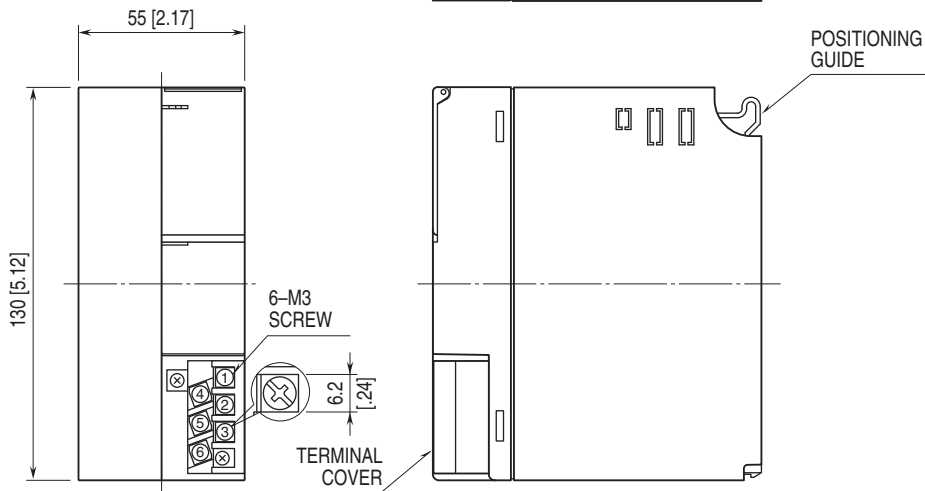
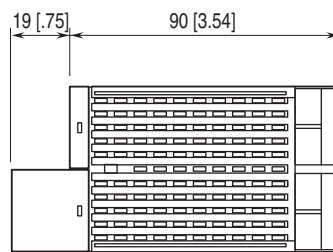


## EXTERNAL DIMENSIONS & TERMINAL ASSIGNMENTS unit: mm [inch]

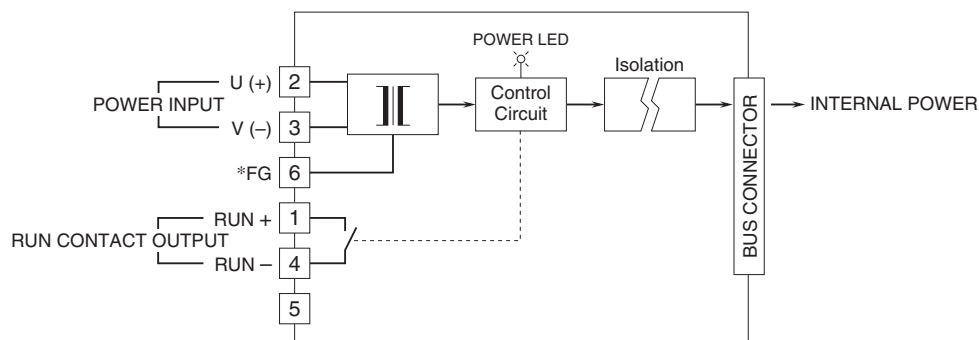
### ■ STANDARD TYPE



### ■ OPTION /B



## SCHEMATIC CIRCUITRY & CONNECTION DIAGRAM



\*In order to improve EMC performance, bond the FG terminal to the ground.  
 Caution: This terminal is NOT a protective conductor terminal.



Specifications are subject to change without notice.