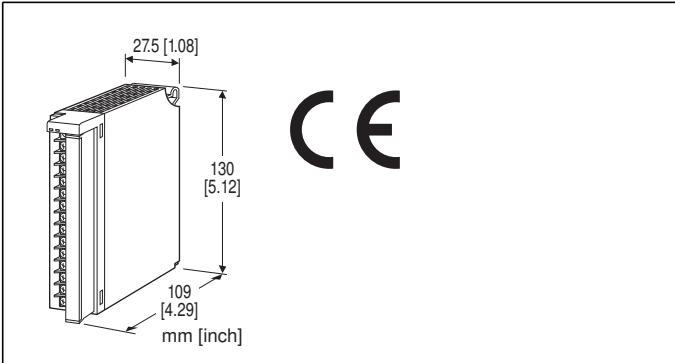


## Remote I/O R3 Series

### RTD INPUT MODULE

(8 points, isolated)



### MODEL: R3-RS8[1][2]

### ORDERING INFORMATION

- Code number: R3-RS8[1][2]  
Specify a code from below for each of [1] and [2].  
(e.g. R3-RS8W/CE/Q)
- Specify the specification for option code /Q  
(e.g. /C01/SET)

### NO. OF CHANNELS

8: 8

### [1] COMMUNICATION MODE

S: Single

W: Dual

### [2] OPTIONS (multiple selections)

Standards & Approvals

**blank:** Without CE

**/CE:** CE marking

Other Options

**blank:** none

**/Q:** Option other than the above (specify the specification)

### SPECIFICATIONS OF OPTION: Q (multiple selections)

COATING (For the detail, refer to our web site.)

**/C01:** Silicone coating

**/C02:** Polyurethane coating

**/C03:** Rubber coating

EX-FACTORY SETTING

**/SET:** Preset according to the Ordering Information Sheet

(No. ESU-8365)

### GENERAL SPECIFICATIONS

#### Connection

**Internal bus:** Via the Installation Base (model: R3-BSx)

**Input:** M3 separable screw terminal (torque 0.5 N·m)

**Internal power:** Via the Installation Base (model: R3-BSx)

**Screw terminal:** Nickel-plated steel

**Isolation:** Input 1 to input 2 to input 3 to input 4 to input 5 to input 6 to input 7 to input 8 to internal bus or internal power

**Sensor type:** Selectable with the side DIP SW

(Independent types selectable per group of 4 channels.)

**Temperature unit:** °C, °F or absolute temperature selectable with the side DIP SW

**Conversion rate:** Selectable with the side DIP SW

**Burnout detection:** Upscale or downscale selectable with the side DIP SW

**Linearization:** Standard

**RUN indicator:** Bi-color (red/green) LED;

Red when the bus A operates normally;

Green when the bus B operates normally;

Amber when both buses operate normally.

**ERR indicator:** Bi-color (red/green) LED;

Red with burnout; Green in normal operating conditions.

### INPUT SPECIFICATIONS

**Maximum leadwire resistance:** 100 Ω per wire

**Sensing current:** ≤ 1 mA

#### Temperature range

RTD	°C	
	USABLE RANGE	CONFORMANCE RANGE
Pt 100 (JIS '97, IEC)	-240 to +900	-200 to +850
Pt 100 (JIS '89)	-240 to +900	-200 to +660
JPt 100 (JIS '89)	-236 to +560	-200 to +510
Pt 50Ω (JIS '81)	-236 to +700	-200 to +649
Ni 100	-100 to +252	-80 to +250
Cu 10 @25°C	-212 to +312	-50 to +250
Cu 50	-100 to +200	-50 to +150
RTD	°F	
	USABLE RANGE	CONFORMANCE RANGE
Pt 100 (JIS '97, IEC)	-400 to +1652	-328 to +1562
Pt 100 (JIS '89)	-400 to +1652	-328 to +1220
JPt 100 (JIS '89)	-393 to +1040	-328 to +950
Pt 50Ω (JIS '81)	-393 to +1292	-328 to +1200
Ni 100	-148 to +486	-112 to +482
Cu 10 @25°C	-350 to +594	-58 to +482
Cu 50	-148 to +392	-58 to +302

Max. (upscale) or min. (downscale) value of the usable range when a burnout is detected.

## INSTALLATION

**Operating temperature:** -10 to +55°C (14 to 131°F)

**Operating humidity:** 30 to 90 %RH (non-condensing)

**Atmosphere:** No corrosive gas or heavy dust

**Mounting:** Installation Base (model: R3-BSx)

**Weight:** 250 g (0.55 lb)

## PERFORMANCE

**Conversion accuracy:**  $\pm 1.0^{\circ}\text{C}$  ( $\pm 1.8^{\circ}\text{F}$ ) except  $\pm 3.0^{\circ}\text{C}$  ( $\pm 5.4^{\circ}\text{F}$ ) for Cu 10 @ 25°C

**Conversion rate:** 250 msec. or 1 sec. selectable

**Data range**

**°C, absolute temperature:** Engineering unit value  $\times 10$  (integer)

**°F:** Engineering unit value (integer)

**Data allocation:** 8

**Current consumption:** 100 mA

**Temp. coefficient:**  $\pm 0.015\ \%/^{\circ}\text{C}$  ( $\pm 0.008\ \%/^{\circ}\text{F}$ )

**Burnout response time:**  $\leq 2$  sec.

**Insulation resistance:**  $\geq 100\ \text{M}\Omega$  with 500 V DC

**Dielectric strength:** 1000 V AC @ 1 minute (input 1 to input 2 to input 3 to input 4 to input 5 to input 6 to input 7 to input 8 to internal bus or internal power)

2000 V AC @ 1 minute (power input to FG; isolated on the power supply module)

## STANDARDS & APPROVALS

**EU conformity:**

EMC Directive

EMI EN 61000-6-4

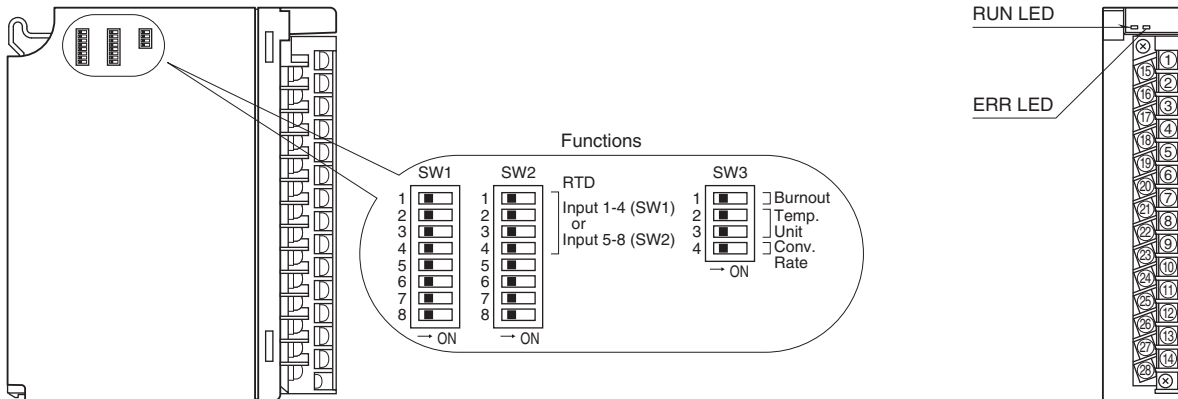
EMS EN 61000-6-2

RoHS Directive

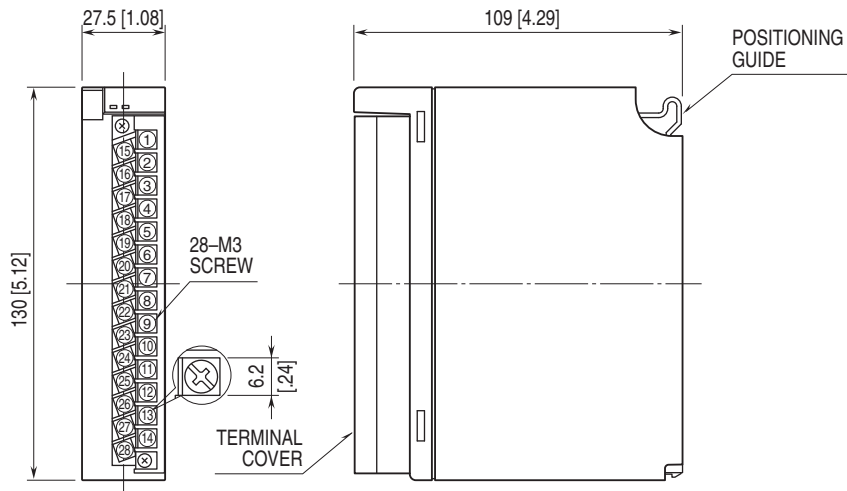
## EXTERNAL VIEW

■ SIDE VIEW

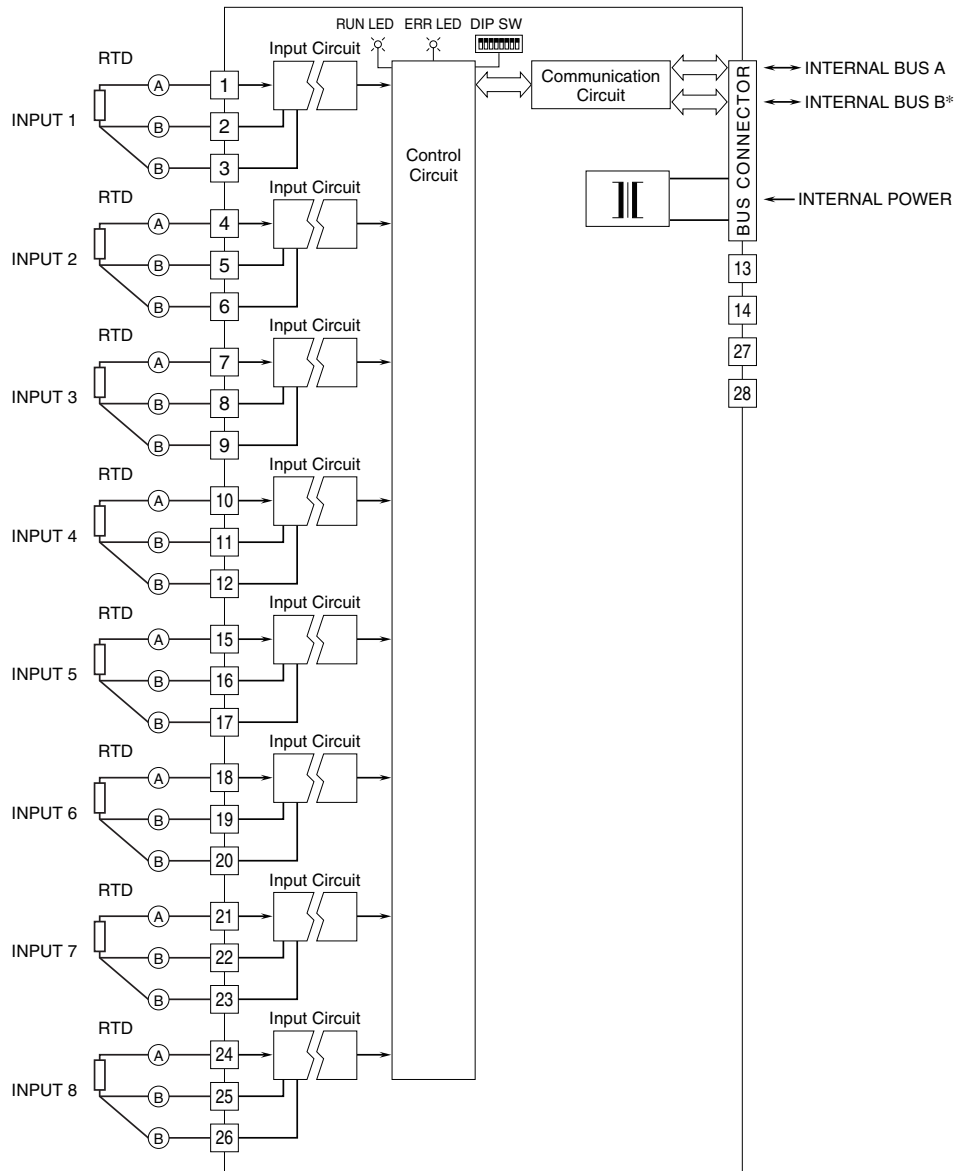
■ FRONT VIEW



## EXTERNAL DIMENSIONS & TERMINAL ASSIGNMENTS unit: mm [inch]



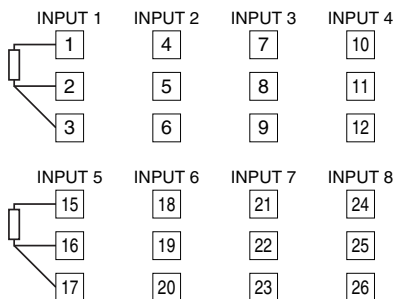
## SCHEMATIC CIRCUITRY & CONNECTION DIAGRAM



\*For dual redundant communication.

### • Unused Input Channels

Close cross the unused input terminals with a resistor as shown below and set the DIP switch for an RTD.



The resistance value must match the RTD type (100Ω for Pt 100, 50Ω for Pt 50Ω).

Unused channels left open are equal to the burnout, which turns the red ERR LED on and sets a burnout flag at the PLC or the host device.

Unused channels can be specified and set so on the PC Configurator Software (model: R3CON) without needing to connect resistors at the field terminals.



Specifications are subject to change without notice.