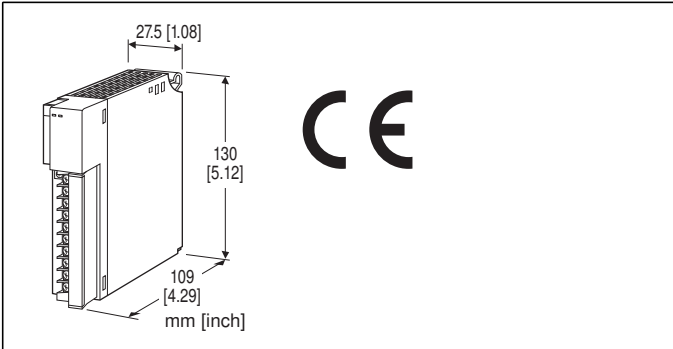


## Remote I/O R3 Series

/SET: Preset according to the Ordering Information Sheet  
(No. ESU-8406)

### DC CURRENT INPUT MODULE

(8 points, non-isolated)



### MODEL: R3-SS8N[1][2]

#### ORDERING INFORMATION

- Code number: R3-SS8N[1][2]  
Specify a code from below for each of [1] and [2].  
(e.g. R3-SS8NW/CE/Q)
- Specify the specification for option code /Q  
(e.g. /C01/SET)

#### NO. OF CHANNELS

8: 8

#### ISOLATION

N: Non-isolated between inputs

#### [1] COMMUNICATION MODE

S: Single  
W: Dual

#### [2] OPTIONS (multiple selections)

Standards & Approvals

blank: Without CE

/CE: CE marking

Other Options

blank: none

/Q: Option other than the above (specify the specification)

#### SPECIFICATIONS OF OPTION: Q (multiple selections)

COATING (For the detail, refer to our web site.)

/C01: Silicone coating

/C02: Polyurethane coating

/C03: Rubber coating

EX-FACTORY SETTING

#### CAUTION

##### ■ UNUSED INPUT CHANNELS

Set the unused channels to “Unused” with PC Configurator software: R3CON. Unused channels left open may be equal to the input lower than -15%, which sets a data abnormality at the PLC or the host device.

#### GENERAL SPECIFICATIONS

##### Connection

**Internal bus:** Via the Installation Base (model: R3-BSx)

**Input:** M3 separable screw terminal (torque 0.5 N·m)

**Internal power:** Via the Installation Base (model: R3-BSx)

**Screw terminal:** Nickel-plated steel

**Isolation:** Input 1 or input 2 or input 3 or input 4 or input 5 or input 6 or input 7 or input 8 to internal bus or internal power

**Conversion rate:** Selectable with the side DIP SW

**RUN indicator:** Bi-color (red/green) LED;

Red when the bus A operates normally;

Green when the bus B operates normally;

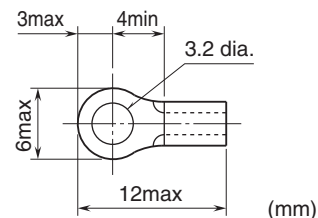
Amber when both buses operate normally.

**ERR indicator:** Bi-color (red/green) LED;

Red with input circuit abnormality (AD converter response failure);

Green in normal operating conditions.

■ Recommended solderless terminal size - M3 (unit: mm)



#### INPUT SPECIFICATIONS

■ DC Current: 4 - 20 mA DC

Input resistance: 250 Ω resistor incorporated

#### INSTALLATION

**Operating temperature:** -10 to +55°C (14 to 131°F)

**Operating humidity:** 30 to 90 %RH (non-condensing)

**Atmosphere:** No corrosive gas or heavy dust

**Mounting:** Installation Base (model: R3-BSx)

**Weight:** 200 g (0.44 lb)

## PERFORMANCE

**Conversion accuracy:** Refer to the table at the end of this section.

**Conversion rate:** 160 / 80 / 40 / 20 msec. selectable

**Data range:** 0 - 10000

**Data allocation:** 8

**Current consumption:** 60 mA

**Temp. coefficient:**  $\pm 0.02\% / ^\circ\text{C}$  ( $\pm 0.01\% / ^\circ\text{F}$ )

**Response time:**  $\leq 0.2$  sec. (0 - 90 %)

**Insulation resistance:**  $\geq 100\ \text{M}\Omega$  with 500 V DC

**Dielectric strength:** 1500 V AC @ 1 minute

(input 1 or input 2 or input 3 or input 4 or input 5 or input 6 or input 7 or input 8 to internal bus or internal power)

2000 V AC @ 1 minute (power input to FG; isolated on the power supply module)

### Conversion accuracy

| RANGE    | RATE | 160 msec.    | 80 msec.    | 40 msec.    | 20 msec.    |
|----------|------|--------------|-------------|-------------|-------------|
| 4 - 20mA |      | $\pm 0.05\%$ | $\pm 0.1\%$ | $\pm 0.2\%$ | $\pm 0.4\%$ |

## STANDARDS & APPROVALS

**EU conformity:**

EMC Directive

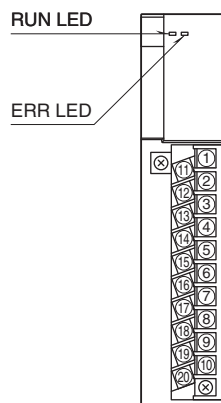
EMI EN 61000-6-4

EMS EN 61000-6-2

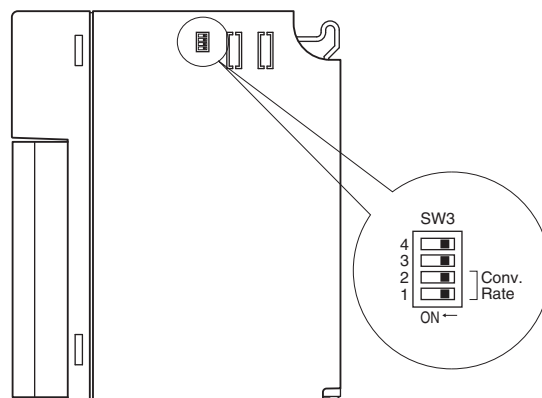
RoHS Directive

## EXTERNAL VIEW

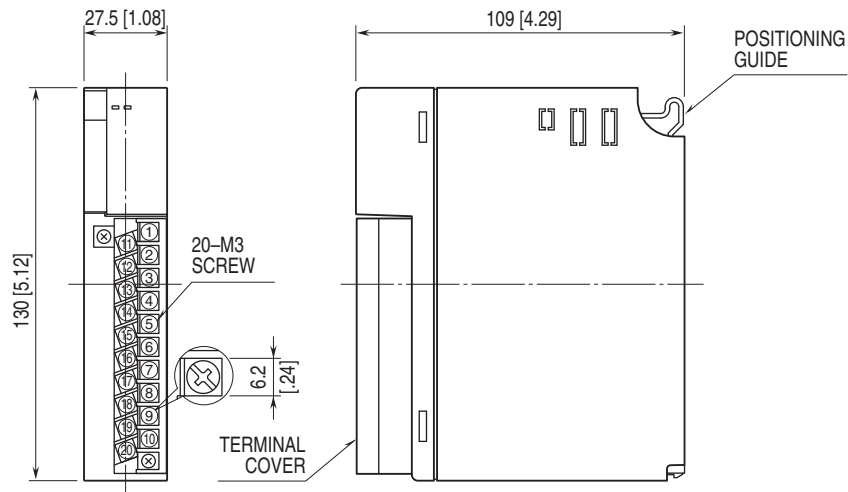
### FRONT VIEW



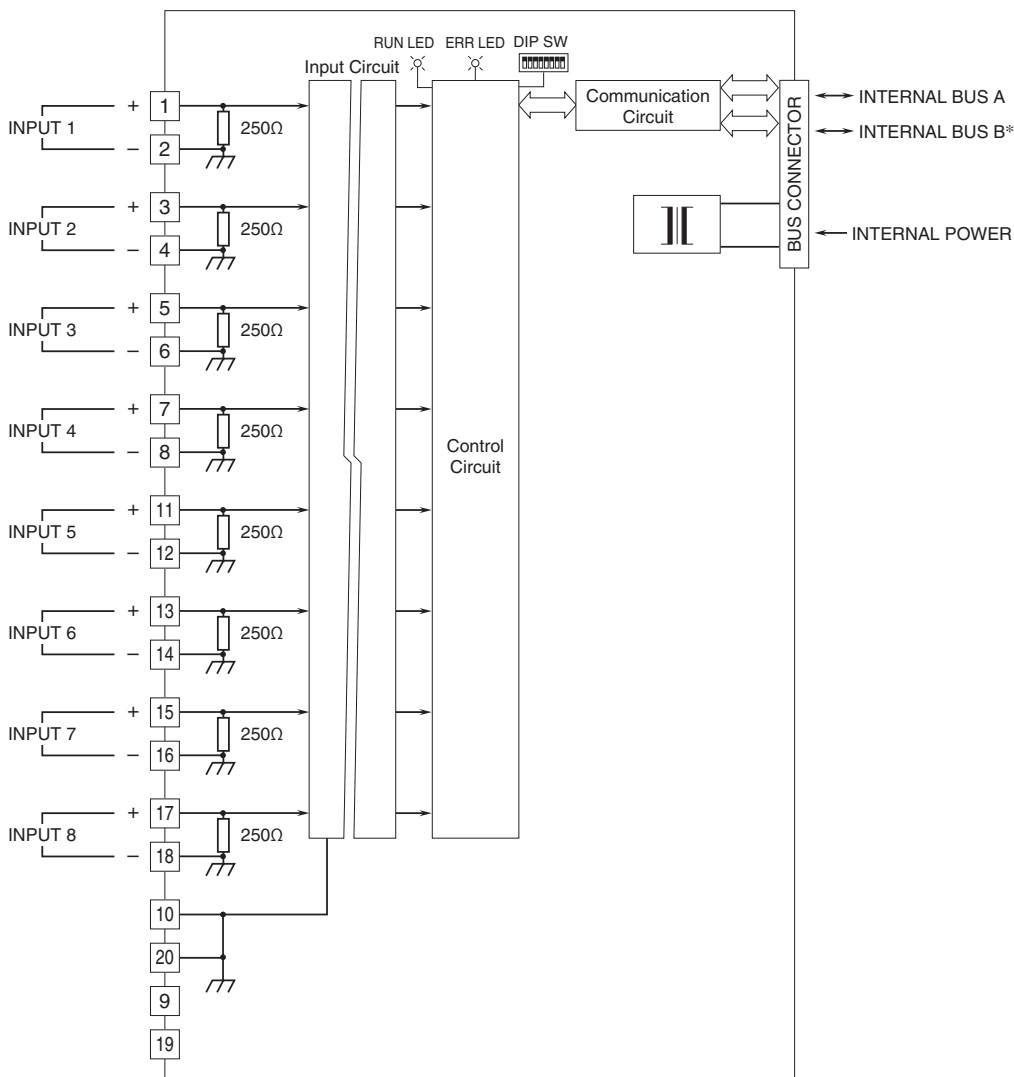
### SIDE VIEW



## EXTERNAL DIMENSIONS & TERMINAL ASSIGNMENTS unit: mm [inch]



## SCHEMATIC CIRCUITRY & CONNECTION DIAGRAM



\* For dual redundant communication.



Specifications are subject to change without notice.