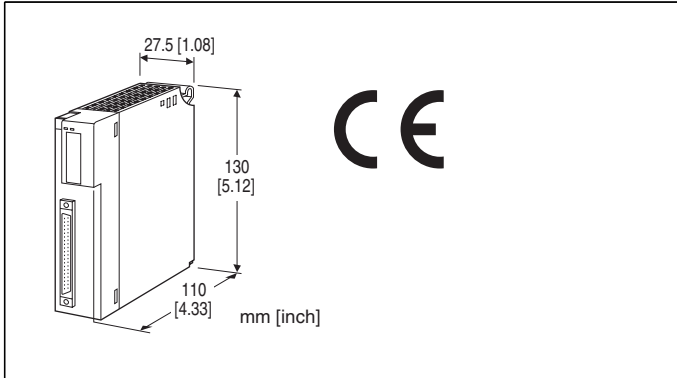


Remote I/O R3 Series

4 - 20 mA INPUT MODULE

(2-wire transmitter excitation supply; 8 points, non-isolated, connector type)



MODEL: R3Y-DS8N[1][2]

ORDERING INFORMATION

- Code number: R3Y-DS8N[1][2]
- Specify a code from below for each of [1] and [2].
(e.g. R3Y-DS8NW/CE/Q)
- Specify the specification for option code /Q
(e.g. /C01/SET)

NO. OF CHANNELS

8: 8

ISOLATION

N: Non-isolated between inputs

[1] COMMUNICATION MODE

S: Single
W: Dual

[2] OPTIONS (multiple selections)

Standards & Approvals

blank: Without CE

/CE: CE marking

Other Options

blank: none

/Q: With options (specify the specification)

SPECIFICATIONS OF OPTION: Q (multiple selections)

COATING (For the detail, refer to our web site.)

/C01: Silicone coating

/C02: Polyurethane coating

/C03: Rubber coating

EX-FACTORY SETTING

/SET: Preset according to the Ordering Information Sheet
(No. ESU-8369)

RELATED PRODUCTS

- Connector terminal block (model: CNT)
- Special cable with 40-pin connector (model: FCN)

GENERAL SPECIFICATIONS

Connection

Internal bus: Via the Installation Base (model: R3-BSx)

Input: 40-pin connector (OTAX N365P040AU
Fujitsu FCN-365P040-AU...discontinued))

Internal power: Via the Installation Base (model: R3-BSx)

Isolation: Input to internal bus or internal power

Conversion rate: Selectable with the side DIP SW

RUN indicator: Bi-color (red/green) LED;
Red when the bus A operates normally;
Green when the bus B operates normally;
Amber when both buses operate normally.

ERR indicator: Bi-color (red/green) LED;
Red with input circuit abnormality (AD converter response failure);
Green in normal operating conditions.

SUPPLY OUTPUT

Sensor excitation: 24 V DC, ≥ 300 mA

- Shortcircuit Protection

Current limited: Approx. 30 mA per channel

Protected time duration: No limit

INPUT SPECIFICATIONS

■ DC Current: 4 - 20 mA DC

Input resistance: 250 Ω resistor incorporated

INSTALLATION

Operating temperature: -10 to +55°C (14 to 131°F)

Operating humidity: 30 to 90 %RH (non-condensing)

Atmosphere: No corrosive gas or heavy dust

Mounting: Installation Base (model: R3-BSx)

Weight: 160 g (0.35 lb)

PERFORMANCE

Conversion accuracy: Refer to the table at the end of this section.

Conversion rate: 160 / 80 / 40 / 20 msec. selectable
(factory default: 160 msec.)

Data range: 0 - 10000

Data allocation: 8

Current consumption: 60 mA

Temp. coefficient: $\pm 0.015\ \%/^{\circ}\text{C}$ ($\pm 0.008\ \%/^{\circ}\text{F}$)

Response time: $\leq 0.2\ \text{sec.}$ (0 - 90 %)

Insulation resistance: $\geq 100\ \text{M}\Omega$ with 500 V DC

Dielectric strength: 1500 V AC @ 1 minute

(input to internal bus or internal power)

2000 V AC @ 1 minute (power input to FG; isolated on the power supply module)

Conversion accuracy

RATE	160 msec.	80 msec.	40 msec.	20 msec.
ACCURACY	$\pm 0.05\%$	$\pm 0.1\%$	$\pm 0.2\%$	$\pm 0.4\%$

STANDARDS & APPROVALS

EU conformity:

EMC Directive

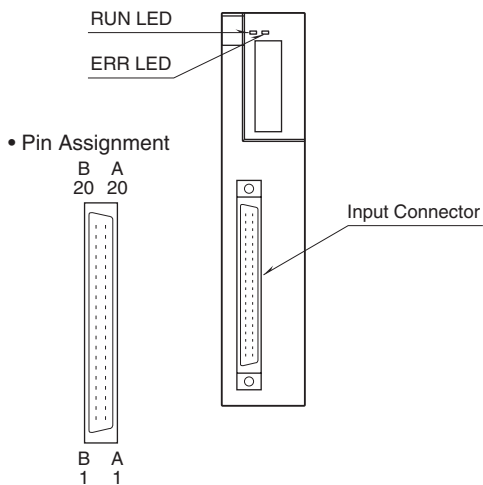
EMI EN 61000-6-4

EMS EN 61000-6-2

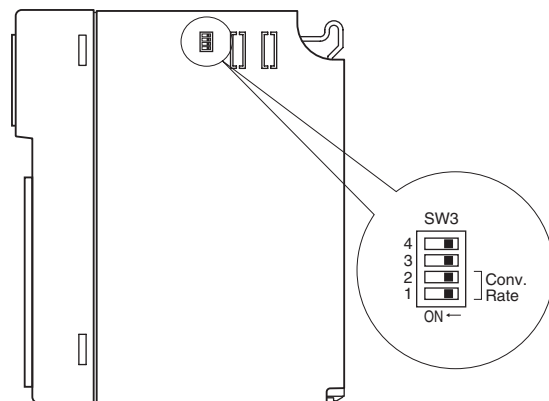
RoHS Directive

EXTERNAL VIEW

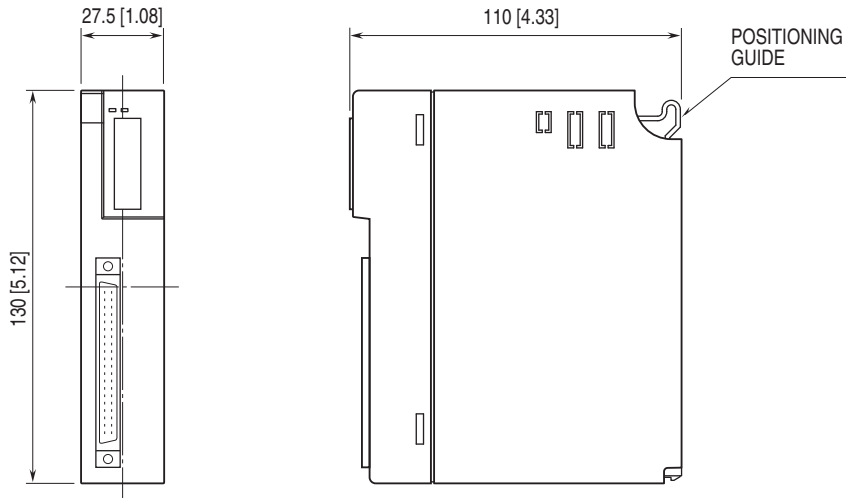
■ FRONT VIEW



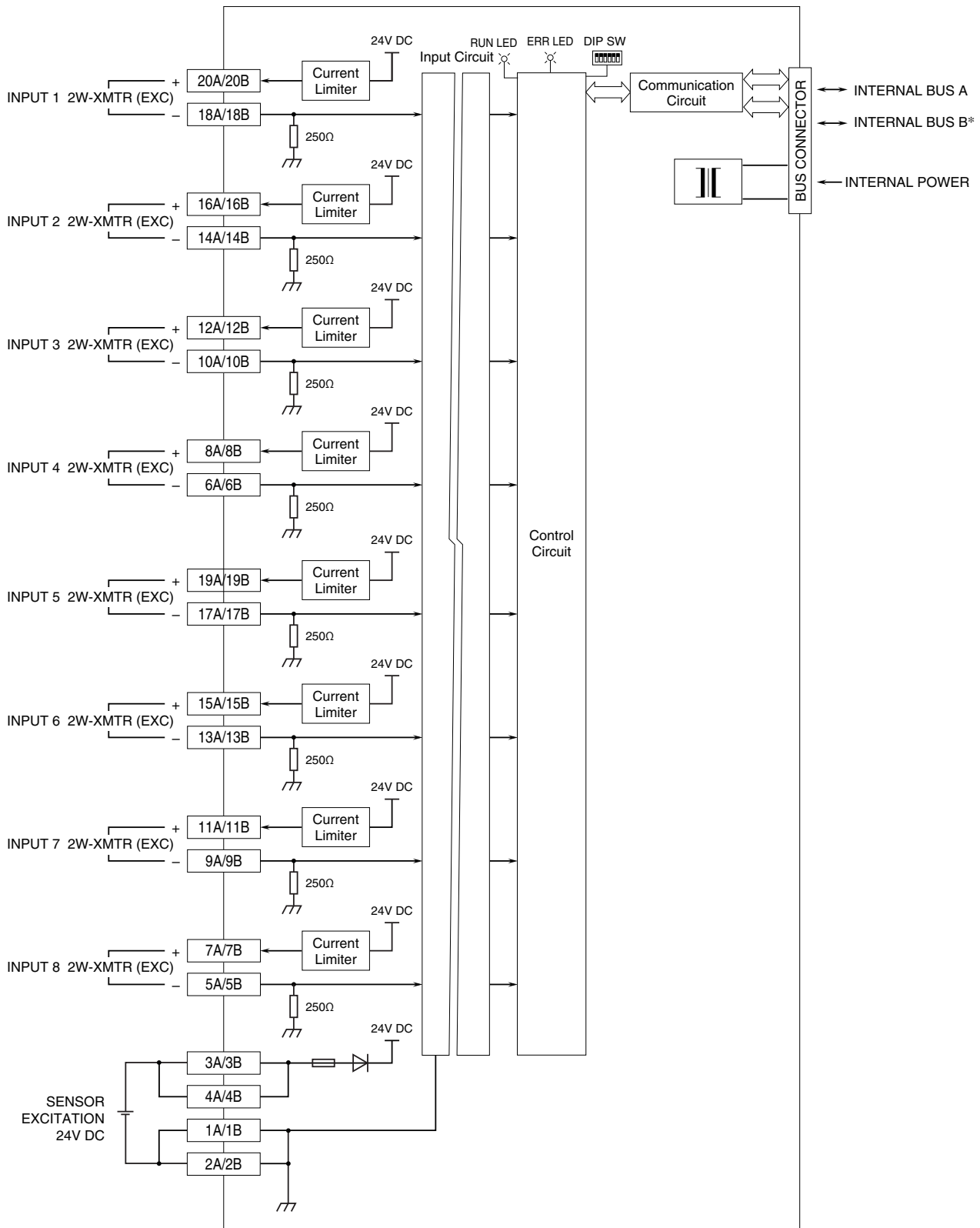
■ SIDE VIEW



EXTERNAL DIMENSIONS unit: mm [inch]



SCHEMATIC CIRCUITRY & CONNECTION DIAGRAM



*For dual redundant communication.

Caution

Input value is less than -15% for the open input terminals, then the host PC/PLC recognizes and configures this as error. The unused channels can be specified and configured with the PC Configurator Software (model: R3CON).

INPUT CONNECTOR (40-pin)

PIN NO.	ASSIGNMENT	PIN NO.	ASSIGNMENT
1A	GND	1B	GND
2A	GND	2B	GND
3A	+24V	3B	+24V
4A	+24V	4B	+24V
5A	-IN8	5B	-IN8
6A	-IN4	6B	-IN4
7A	+IN8	7B	+IN8
8A	+IN4	8B	+IN4
9A	-IN7	9B	-IN7
10A	-IN3	10B	-IN3
11A	+IN7	11B	+IN7
12A	+IN3	12B	+IN3
13A	-IN6	13B	-IN6
14A	-IN2	14B	-IN2
15A	+IN6	15B	+IN6
16A	+IN2	16B	+IN2
17A	-IN5	17B	-IN5
18A	-IN1	18B	-IN1
19A	+IN5	19B	+IN5
20A	+IN1	20B	+IN1



Specifications are subject to change without notice.