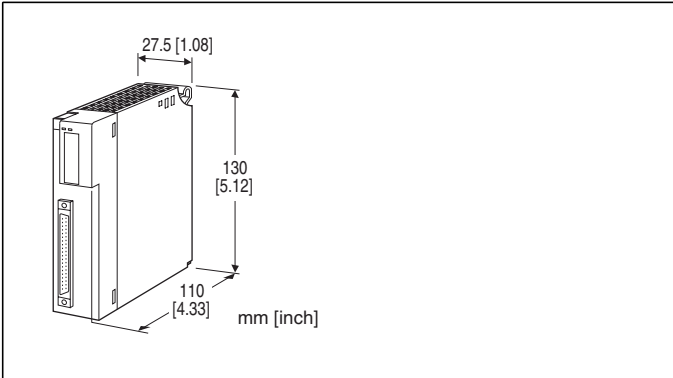


Remote I/O R3 Series

"Unused" with PC Configurator software: R3CON.

DC MILLIVOLT INPUT MODULE

(8 points, isolated, connector type)



MODEL: R3Y-SV8A[1][2]

ORDERING INFORMATION

- Code number: R3Y-SV8A[1][2]
Specify a code from below for each of [1] and [2].
(e.g. R3Y-SV8AW/Q)
- Specify the specification for option code /Q
(e.g. /C01/SET)

NO. OF CHANNELS

8A: 8 points (mV)

[1] COMMUNICATION MODE

S: Single
W: Dual

[2] OPTIONS

blank: none
/Q: With options (specify the specification)

SPECIFICATIONS OF OPTION: Q (multiple selections)

COATING (For the detail, refer to our web site.)
/C01: Silicone coating
/C02: Polyurethane coating
/C03: Rubber coating
EX-FACTORY SETTING
/SET: Preset according to the Ordering Information Sheet
(No. ESU-8411)

CAUTION

■UNUSED INPUT CHANNELS
Set the unused channels to open. Otherwise, set them as

RELATED PRODUCTS

- Connector terminal block (model: CNT)
- Special cable with 40-pin connector (model: FCN)

GENERAL SPECIFICATIONS

Connection

Internal bus: Via the Installation Base (model: R3-BSx)
Input: 40-pin connector (OTAX N365P040AU
Fujitsu FCN-365P040-AU...discontinued))

Internal power: Via the Installation Base (model: R3-BSx)

Isolation: Input 1 to input 2 to input 3 to input 4 to input 5 to input 6 to input 7 to input 8 to internal bus or internal power
Input range: Selectable with the side DIP SW (per 4 channels)

Conversion rate: Selectable with the side DIP SW

RUN indicator: Bi-color (red/green) LED;
Red when the bus A operates normally;
Green when the bus B operates normally;
Amber when both buses operate normally.

ERR indicator: Bi-color (red/green) LED;
Red with input circuit abnormality (AD converter response failure);
Green in normal operating conditions.

INPUT SPECIFICATIONS

Input: -100 - +100 mV, -60 - +60 mV, -50 - +50 mV, 0 - 100 mV, 0 - 60 mV, 0 - 50 mV DC
Input resistance: 100 kΩ min.

INSTALLATION

Operating temperature: -10 to +55°C (14 to 131°F)
Operating humidity: 30 to 90 %RH (non-condensing)
Atmosphere: No corrosive gas or heavy dust
Mounting: Installation Base (model: R3-BSx)
Weight: 200 g (0.44 lb)

PERFORMANCE

Conversion accuracy: Refer to the table at the end of this section.
Conversion rate: 160 / 80 / 40 / 20 msec. selectable
Data range: 0 - 10000 of the input range
Data allocation: 8
Current consumption: 70 mA
Temp. coefficient: ±0.015 %/°C
(±0.03 %/°C with 0 - 50 mV range)
Insulation resistance: ≥ 100 MΩ with 500 V DC
Dielectric strength: 500 V AC @ 1 minute (input 1 to input 2 to input 3 to input 4 to input 5 to input 6 to input 7 to input 8)

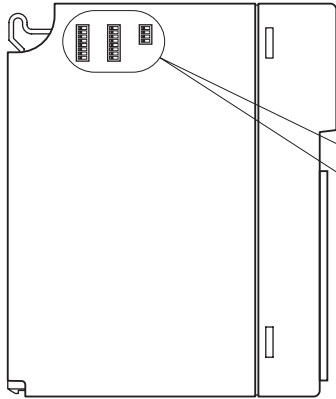
8 to internal bus or internal power)
 2000 V AC @ 1 minute (power input to FG; isolated on the power supply module)

Conversion accuracy

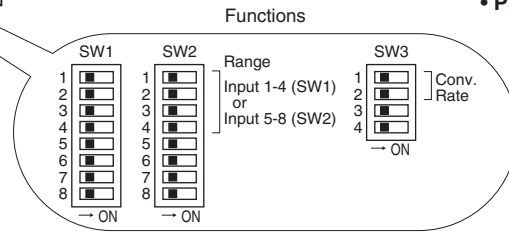
RANGE \ RATE	160 msec.	80 msec.	40 msec.	20 msec.
All ranges	±0.1%	±0.2%	±0.4%	±0.8%

EXTERNAL VIEW

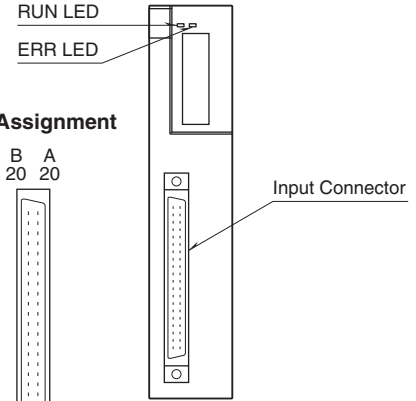
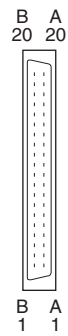
■ SIDE VIEW



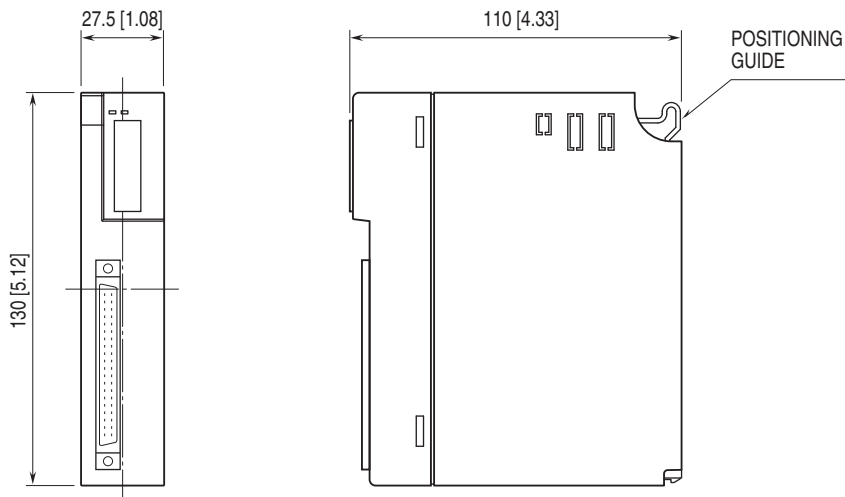
■ FRONT VIEW



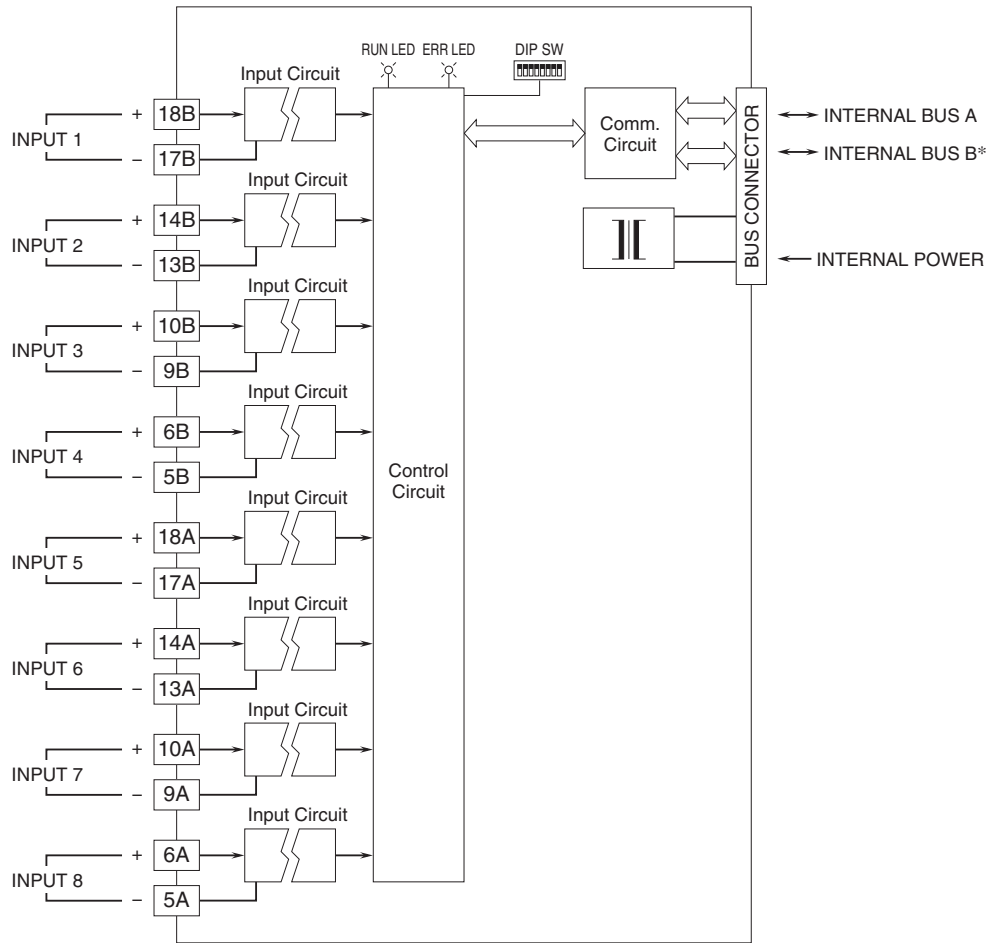
• Pin Assignment



EXTERNAL DIMENSIONS unit: mm [inch]



SCHEMATIC CIRCUITRY & CONNECTION DIAGRAM



* For dual redundant communication.

INPUT CONNECTOR (40-pin)

PIN NO.	ASSIGNMENT	PIN NO.	ASSIGNMENT
1A	NC	1B	NC
2A	NC	2B	NC
3A	NC	3B	NC
4A	NC	4B	NC
5A	- IN8	5B	- IN4
6A	+ IN8	6B	+ IN4
7A	NC	7B	NC
8A	NC	8B	NC
9A	- IN7	9B	- IN3
10A	+ IN7	10B	+ IN3
11A	NC	11B	NC
12A	NC	12B	NC
13A	- IN6	13B	- IN2
14A	+ IN6	14B	+ IN2
15A	NC	15B	NC
16A	NC	16B	NC
17A	- IN5	17B	- IN1
18A	+ IN5	18B	+ IN1
19A	NC	19B	NC
20A	NC	20B	NC



Specifications are subject to change without notice.