

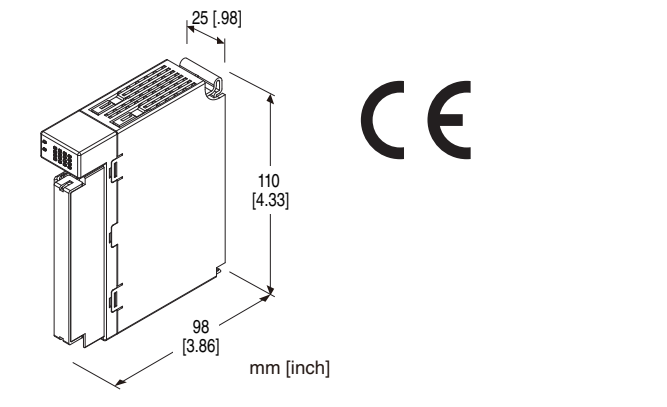
## Remote I/O R30 Series

### UNIVERSAL INPUT MODULE

(2 points, isolated)

#### Functions & Features

- 2 channels for universal input remote I/O module
- Isolation between the channels
- Input range of each channel is individually adjustable with PC configurator



### MODEL: R30US2S[1]

#### ORDERING INFORMATION

- Code number: R30US2S[1]  
Specify a code from below for [1].  
(e.g. R30US2S/Q)
- Specify the specification for option code /Q  
(e.g. /C01/SET)

#### NO. OF CHANNELS

2: 2

#### COMMUNICATION MODE

S: Single

#### [1] OPTIONS

blank: none

/Q: With options (specify the specification)

#### SPECIFICATIONS OF OPTION: Q (multiple selections)

COATING (For the detail, refer to our web site.)

/C01: Silicone coating

/C02: Polyurethane coating

/C03: Rubber coating

EX-FACTORY SETTING

/SET: Preset according to the Ordering Information Sheet

(No. ESU-9017)

#### CAUTION

##### ■ UNUSED INPUT CHANNELS

Set unused channels to "CH disabled" with PC Configurator software (model: R30CFG). Otherwise, unused channels left open are to be lower than -15 % or burnout status, setting a data error at the PLC or other host devices.

#### RELATED PRODUCTS

- PC configurator software (model: R30CFG)  
Downloadable at our web site.  
For connecting to PC, use commercially available Mini-B type USB cable. (provided by user)

#### GENERAL SPECIFICATIONS

##### Connection

**Internal bus:** Via the Installation Base (model: R30BS)

**Input:** M3 separable screw terminal (torque 0.5 N·m)

**Internal power:** Via the Installation Base (model: R30BS)

**Solderless terminal:** Refer to the drawing at the end of the section.

**Recommended manufacturer:** Japan Solderless Terminal MFG. Co., Ltd., Nichifu Co., Ltd.

(Solderless terminals with insulation sleeve do not fit.)

**Applicable wire size:** 0.25 to 0.75 mm<sup>2</sup>

**Screw terminal:** Nickel-plated steel

**Isolation:** Input 1 to input 2 to internal bus or internal power

**Input type & range:** Selectable with PC configurator software (model: R30CFG)

**Burnout (T/C, RTD, potentiometer, resistor input):** Selectable among upscale, downscale or no burnout with PC configurator software (model: R30CFG)

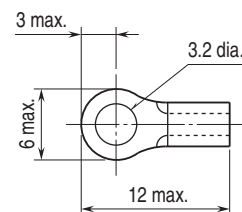
**Linearization (T/C, RTD input):** Standard tables stored in memory

**Cold junction compensation (T/C):** CJC sensor (included) to be attached to the input terminals

**Status indicator LED:** RUN, ERR

(refer to the instruction manual)

■ Recommended solderless terminal size - M3 (unit: mm)



## INPUT SPECIFICATIONS

Module type: Analog input, 2 points

### ■ Universal Input

Refer to the users manual of R30CFG for setting input type and range

#### •DC current input

Input resistance: Input resistor (49.9  $\Omega$ ) incorporated  
Input range: -20 - +20 mA

#### •DC narrow span voltage input range (-1000 - +1000 mV)

Input resistance:  $\geq$  100 k $\Omega$

#### •DC wide span voltage input range (-10 - +10 V)

Input resistance:  $\geq$  1 M $\Omega$

#### •Thermocouple input

Input resistance:  $\geq$  100 k $\Omega$

Input range: See Table 1

Conformance range: See Table 1

#### •RTD input (2- or 3-wire)

Input sensing:  $\leq$  0.33 mA

Input range: See Table 1

Maximum leadwire resistance: 20  $\Omega$  per wire

#### •Potentiometer input

Input sensing:  $\leq$  0.33 mA

Input range: 0 - 4000  $\Omega$

Maximum leadwire resistance: 20  $\Omega$  per wire

#### •Resistor input

Input sensing:  $\leq$  0.33 mA

Input range: 0 - 4000  $\Omega$

Maximum leadwire resistance: 20  $\Omega$  per wire

## INSTALLATION

**Current consumption:** 45 mA

**Operating temperature:** -10 to +55°C (14 to 131°F)

**Storage temperature:** -20 to +65°C (-4 to +149°F)

**Operating humidity:** 10 to 90 %RH (non-condensing)

**Atmosphere:** No corrosive gas or heavy dust

**Mounting:** Installation Base (model: R30BS)

**Weight:** 170 g (0.37 lb)

## PERFORMANCE

**Conversion accuracy:** See Table 1.

**Conversion rate:**  $\leq$  100 msec.

### Converted data range

**DC current/voltage, potentiometer or resistor:** 0 to 10000  
with respect to input range (Default setting)

#### Thermocouple or RTD:

**°C, K:** Engineering unit value  $\times$  10 (integer) (Default setting)

**°F:** Engineering unit value (integer)

\* Scaling of converted data is configurable with the configurator software (model: R30CFG). Refer to the software manual for details.

**Data allocation:** 2

**Cold junction compensation error (T/C):**

$\pm 2.0^\circ\text{C}$  at 0 - 50°C ( $\pm 3.6^\circ\text{F}$  at 32 - 122°F)

(Cold junction compensation is not available for B thermocouple.)

**Temp. coefficient:**  $\pm 0.03\%$ /°C ( $\pm 0.02\%$ /°F)

**Input delay time:**  $\leq$  150 msec.

**Burnout response time (T/C, RTD, potentiometer or resistor input):**  $\leq$  1 sec.

**Insulation resistance:**  $\geq$  100 M $\Omega$  with 500 V DC

**Dielectric strength:** 1500 V AC @ 1 minute (input 1 to input 2 to internal bus or internal power)

1500 V AC @ 1 minute (power input to FE; isolated on the power supply module)

## STANDARDS & APPROVALS

**EU conformity:**

EMC Directive

EMI EN 61000-6-4

EMS EN 61000-6-2

RoHS Directive

**INPUT TYPE, RANGE & CONVERSION ACCURACY**

Table 1

INPUT TYPE		INPUT RANGE		CONVERSION ACCURACY		
DC Current		-20 – +20 mA DC		±20 µA		
DC Voltage		-1000 – +1000 mV DC		When maximum range* <sup>2</sup> is 60 mV or less: ±80 µV When maximum range* <sup>2</sup> is 120 mV or less: ±150 µV When maximum range* <sup>2</sup> exceeds 120 mV: ±1 mV		
		-10 – +10 V DC		±10 mV		
Potentiometer* <sup>3</sup>		0 – 4000 Ω		Larger value of either ±0.1 Ω or ±0.1 %		
Resistor* <sup>3</sup>		0 – 4000 Ω		Larger value of either ±0.1 Ω or ±0.1 %		
Thermocouple* <sup>3</sup>	°C			°F		
	Usable range	Conv. accuracy * <sup>1</sup>	Conformance range	Usable range	Conv. accuracy * <sup>1</sup>	Conformance range
(PR)	-50 – +1860	±2.0	0 – 1760	-58 – +3380	±3.6	32 – 3200
K (CA)	-273.2 – +1470	±1.0	-150 – +1370	-460 – +2678	±1.8	-238 – +2498
E (CRC)	-273.2 – +1020	±1.0	-170 – +1000	-460 – +1868	±1.8	-274 – +1832
J (IC)	-273.2 – +1300	±1.0	-180 – +1200	-460 – +2372	±1.8	-292 – +2192
T (CC)	-273.2 – +500	±1.0	-170 – +400	-460 – +932	±1.8	-274 – +752
B (RH)	20 – 1920	±2.0	400 – 1760	68 – 3488	±3.6	752 – 3200
R	-100 – +1860	±2.0	200 – 1760	-148 – +3380	±3.6	392 – 3200
S	-100 – +1860	±2.0	0 – 1760	-148 – +3380	±3.6	32 – 3200
C (WRe 5-26)	-50 – +2420	±2.0	0 – 2315	-58 – +4388	±3.6	32 – 4199
N	-273.2 – +1400	±1.0	-130 – +1300	-460 – +2552	±1.8	-202 – +2372
U	-273.2 – +700	±1.0	-200 – +600	-460 – +1292	±1.8	-328 – +1112
L	-273.2 – +1000	±1.0	-200 – +900	-460 – +1832	±1.8	-328 – +1652
P (Platinel II)	-50 – +1500	±1.0	0 – 1395	-58 – +2732	±1.8	32 – 2543
RTD* <sup>3</sup>	°C			°F		
	Usable range	Conv. accuracy	Conformance range	Usable range	Conv. accuracy	Conformance range
Pt 100 (JIS'97, IEC)	-240 – +950	±1.0	-200 – +850	-400 – +1742	±1.8	-328 – +1562
Pt 500	-240 – +950	±0.5	-200 – +850	-400 – +1742	±0.9	-328 – +1562
Pt 1000	-240 – +950	±0.5	-200 – +850	-400 – +1742	±0.9	-328 – +1562
Pt 50 Ω (JIS'81)	-235 – +750	±2.0	-200 – +649	-391 – +1382	±3.6	-328 – +1200
JPt 100 (JIS'89)	-235 – +610	±1.0	-200 – +510	-391 – +1130	±1.8	-328 – +950
Ni 508.4 Ω	-100 – +330	±0.5	-50 – +200	-148 – +626	±0.9	-58 – +392
Cu 10 @ 25°C	-210 – +350	±3.0	-50 – +250	-346 – +662	±5.4	-58 – +482

\*1. Thermocouple: Cold junction compensation error is not included in above figures. Take it into account when cold junction compensation is enabled.

\*2. Maximum range: Absolute value of 0% or 100% of the input range, whichever is greater.

\*3. Burnout indication (potentiometer, resistor, thermocouple or RTD): upscale burnout (32767), downscale burnout (-32768).

## CONFIGURATOR SOFTWARE SETTING

The following parameters can be set with using PC Configurator Software (model: R30CFG)  
Refer to the users manual for the R30CFG for detailed operation of the software program.

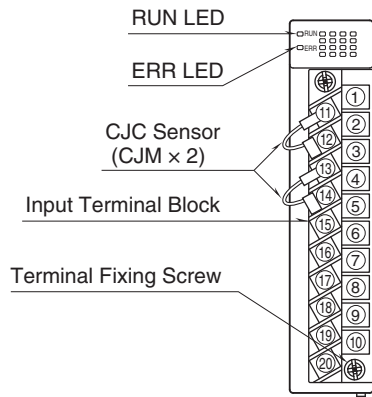
### ■ CHANNEL INDIVIDUAL SETTING

PARAMETER	SETTING RANGE	DEFAULT SETTING
Unused setting	CH enabled CH disabled	CH enabled
Input type	-10 – +10 V DC -1000 – +1000 mV DC -20 – +20 mA DC POT 0 – 4000 Ohm POT 0 – 2500 Ohm POT 0 – 1200 Ohm POT 0 – 600 Ohm POT 0 – 300 Ohm POT 0 – 150 Ohm OHM 0 – 4000 Ohm RTD Pt 100 RTD Pt 500 RTD Pt 1000 RTD Pt 50 Ω RTD JPt 100 RTD Ni 508.4 Ω RTD Cu 10 TC (PR) TC K TC E TC J TC T TC B TC R TC S TC C TC N TC U TC L TC P	-10 – +10 V DC
Wiring	2-wire 3-wire	–
Burnout	Upscale Downscale None	–
CJC	Enabled Disabled	–
Unit	degC degF K	–
Fine zero adjustment	-320.00 – +320.00 (%)	0.00 (%)
Fine gain adjustment	-3.2000 – +3.2000	1.0000
Zero base	depends on input types*1	-10.000 V DC
Full base	depends on input types*1	10.000 V DC
Scaled range Zero	-32 000 – +32 000	0
Scaled range Span	-32 000 – +32 000	10 000
First order lag filter	0.0, 0.5 – 60.0 sec.	0.0 sec.

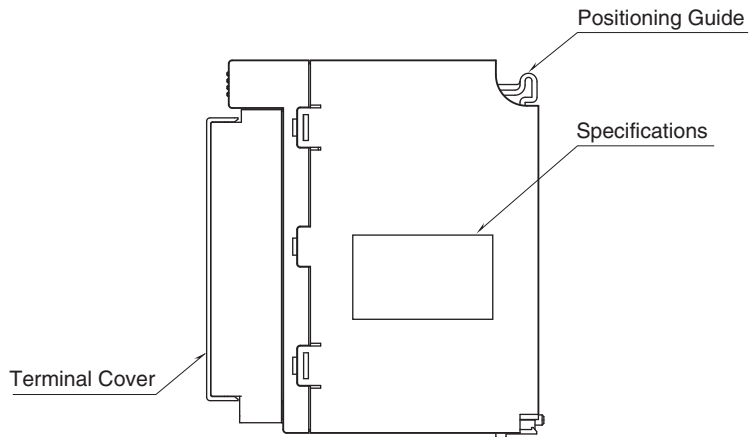
\*1. For details, refer to the users manual of R30CFG.

## EXTERNAL VIEW

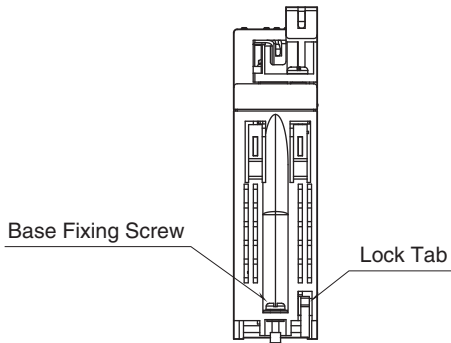
### FRONT VIEW



### SIDE VIEW



### BOTTOM VIEW

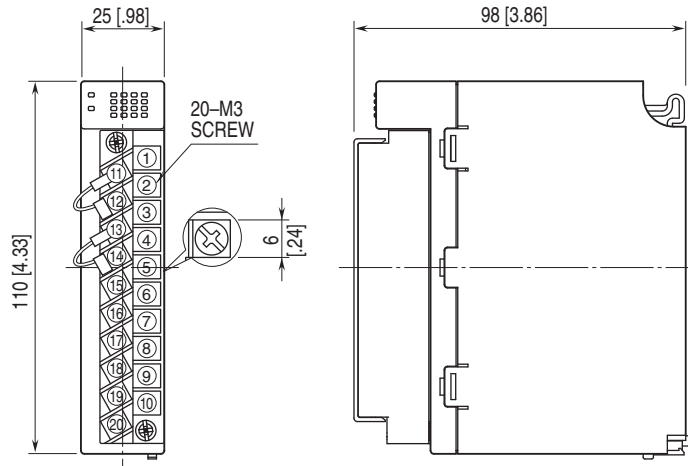


## TERMINAL ASSIGNMENTS

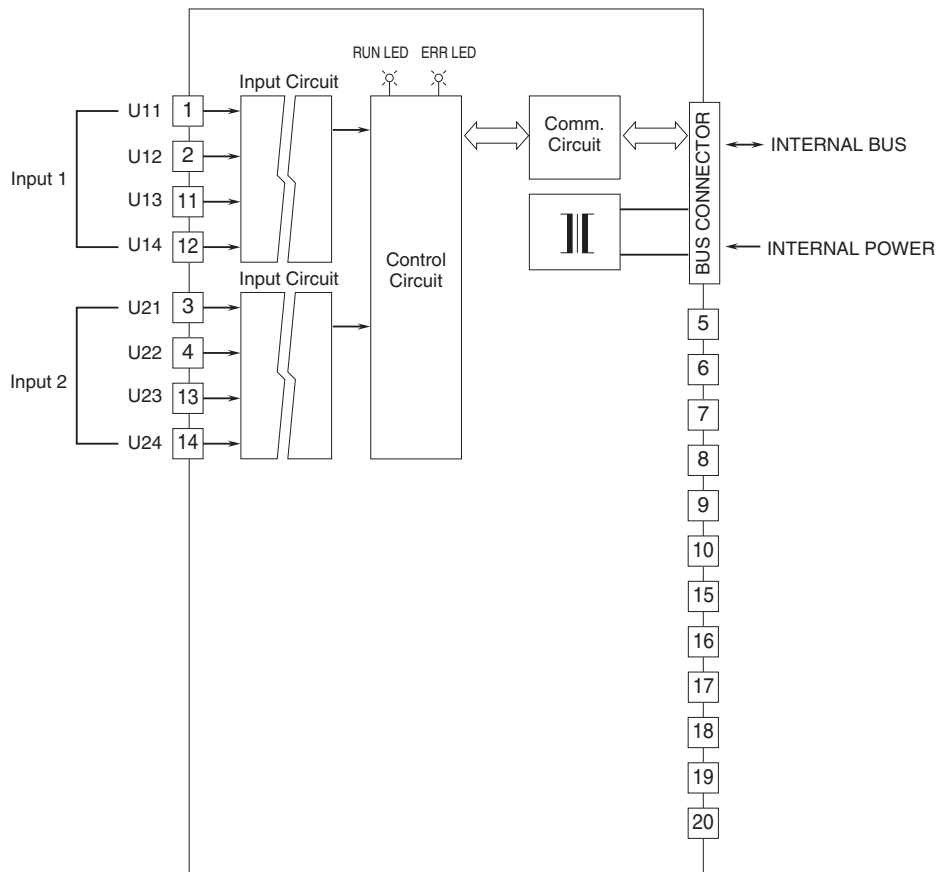
	1
11	U11
U13	2
12	U12
U14	3
13	U21
U23	4
14	U22
U24	5
15	NC
NC	6
16	NC
NC	7
17	NC
NC	8
18	NC
NC	9
19	NC
NC	10
20	NC
NC	

No.	ID	FUNCTION					
		Wide Span Voltage Range / Current	Narrow Span Voltage Range	T/C	RTD / Resistor (3-wire)	RTD / Resistor (2-wire)	Potentiometer
1	U11	Wide Span volt. range / Current 1	–	–	–	–	–
2	U12	–	Narrow Span volt. range 1	T/C 1	RTD 1-b	–	Input S1
3	U21	Wide Span volt. range / Current 2	–	–	–	–	–
4	U22	–	Narrow Span volt. range 2	T/C 2	RTD 2-b	–	Input S2
5	NC			No connection			
6	NC			No connection			
7	NC			No connection			
8	NC			No connection			
9	NC			No connection			
10	NC			No connection			
11	U13	–	–	CJM1	RTD 1-B	RTD 1-B	Input L1
12	U14	Common 1	Common 1	Common 1	RTD 1-A	RTD 1-A	Input H1
13	U23	–	–	CJM2	RTD 2-B	RTD 2-B	Input L2
14	U24	Common 2	Common 2	Common 2	RTD 2-A	RTD 2-A	Input H2
15	NC			No connection			
16	NC			No connection			
17	NC			No connection			
18	NC			No connection			
19	NC			No connection			
20	NC			No connection			

**EXTERNAL DIMENSIONS & TERMINAL ASSIGNMENTS** unit: mm [inch]

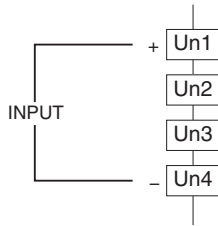


**SCHEMATIC CIRCUITRY & CONNECTION DIAGRAM**

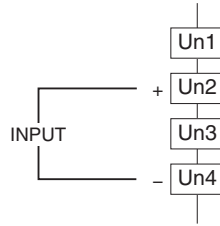


■ UNIVERSAL INPUT CONNECTION

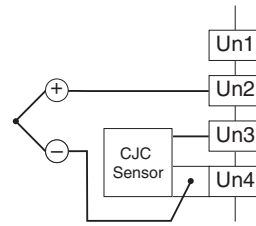
- DC Voltage (-10 – +10V)
- DC Current (-20 – +20mA)



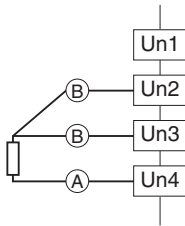
- DC Voltage (-1000 – +1000mV)



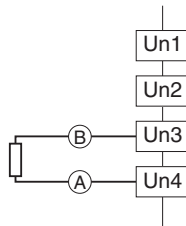
- Thermocouple



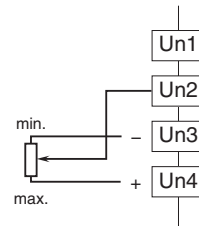
- RTD or Resistor (3-wire)



- RTD or Resistor (2-wire)



- Potentiometer



Specifications are subject to change without notice.