

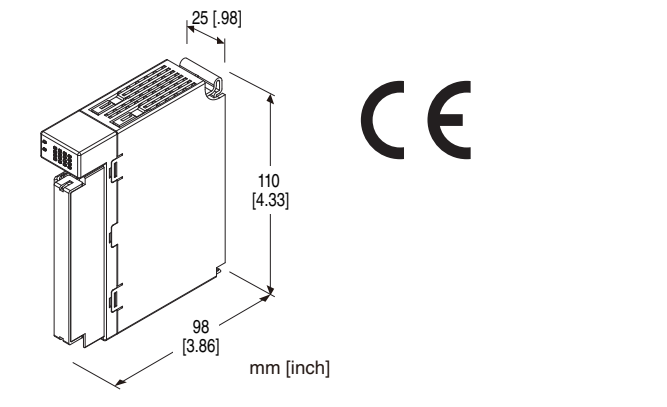
Remote I/O R30 Series

UNIVERSAL INPUT MODULE

(4 points, isolated)

Functions & Features

- 4 channels for universal input remote I/O module
- Isolation between the channels
- Input range of each channel is individually adjustable with PC configurator



MODEL: R30US4S[1]

ORDERING INFORMATION

- Code number: R30US4S[1]
- Specify a code from below for [1].
(e.g. R30US4S/Q)
- Specify the specification for option code /Q
(e.g. /C01/SET)

NO. OF CHANNELS

4: 4

COMMUNICATION MODE

S: Single

[1] OPTIONS

blank: none

/Q: With options (specify the specification)

SPECIFICATIONS OF OPTION: Q (multiple selections)

COATING (For the detail, refer to our web site.)

/C01: Silicone coating

/C02: Polyurethane coating

/C03: Rubber coating

EX-FACTORY SETTING

/SET: Preset according to the Ordering Information Sheet

(No. ESU-9016)

CAUTION

■ UNUSED INPUT CHANNELS

Set unused channels to "CH disabled" with PC Configurator software (model: R30CFG). Otherwise, unused channels left open are to be lower than -15 % or burnout status, setting a data error at the PLC or other host devices.

RELATED PRODUCTS

- PC configurator software (model: R30CFG)

Downloadable at our web site.

For connecting to PC, use commercially available Mini-B type USB cable. (provided by user)

GENERAL SPECIFICATIONS

Connection

Internal bus: Via the Installation Base (model: R30BS)

Input: M3 separable screw terminal (torque 0.5 N·m)

Internal power: Via the Installation Base (model: R30BS)

Solderless terminal: Refer to the drawing at the end of the section.

Recommended manufacturer: Japan Solderless Terminal MFG. Co., Ltd., Nichifu Co., Ltd.

(Solderless terminals with insulation sleeve do not fit.)

Applicable wire size: 0.25 to 0.75 mm²

Screw terminal: Nickel-plated steel

Isolation: Input 1 to input 2 to input 3 to input 4 to internal bus or internal power

Input type & range: Selectable with PC configurator software (model: R30CFG)

Burnout (T/C, RTD, potentiometer, resistor input): Selectable among upscale, downscale or no burnout with PC configurator software (model: R30CFG)

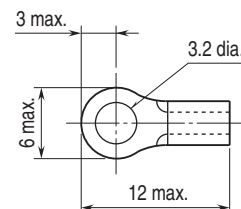
Linearization (T/C, RTD input): Standard tables stored in memory

Cold junction compensation (T/C): CJC sensor (included) to be attached to the input terminals

Status indicator LED: RUN, ERR

(refer to the instruction manual)

■ Recommended solderless terminal size - M3 (unit: mm)



INPUT SPECIFICATIONS

Module type: Analog input, 4 points

■ Universal Input

Refer to the users manual of R30CFG for setting input type and range

•DC current input

Input resistance: Input resistor (49.9 Ω) incorporated
Input range: -20 - +20 mA

•DC narrow span voltage input range (-1000 - +1000 mV)

Input resistance: \geq 100 k Ω

•DC wide span voltage input range (-10 - +10 V)

Input resistance: \geq 1 M Ω

•Thermocouple input

Input resistance: \geq 100 k Ω

Input range: See Table 1

Conformance range: See Table 1

•RTD input (2- or 3-wire)

Input sensing: \leq 0.33 mA

Input range: See Table 1

Maximum leadwire resistance: 20 Ω per wire

•Potentiometer input

Input sensing: \leq 0.33 mA

Input range: 0 - 4000 Ω

Maximum leadwire resistance: 20 Ω per wire

•Resistor input

Input sensing: \leq 0.33 mA

Input range: 0 - 4000 Ω

Maximum leadwire resistance: 20 Ω per wire

INSTALLATION

Current consumption: 50 mA

Operating temperature: -10 to +55 $^{\circ}$ C (14 to 131 $^{\circ}$ F)

Storage temperature: -20 to +65 $^{\circ}$ C (-4 to +149 $^{\circ}$ F)

Operating humidity: 10 to 90 %RH (non-condensing)

Atmosphere: No corrosive gas or heavy dust

Mounting: Installation Base (model: R30BS)

Weight: 170 g (0.37 lb)

PERFORMANCE

Conversion accuracy: See Table 1.

Conversion rate: \leq 100 msec.

Converted data range

DC current/voltage, potentiometer or resistor: 0 to 10000
with respect to input range (Default setting)

Thermocouple or RTD:

$^{\circ}$ C, K: Engineering unit value \times 10 (integer) (Default setting)

$^{\circ}$ F: Engineering unit value (integer)

* Scaling of converted data is configurable with the configurator software (model: R30CFG). Refer to the software manual for details.

Data allocation: 4

Cold junction compensation error (T/C):

\pm 2.0 $^{\circ}$ C at 0 - 50 $^{\circ}$ C (\pm 3.6 $^{\circ}$ F at 32 - 122 $^{\circ}$ F)

(Cold junction compensation is not available for B thermocouple.)

Temp. coefficient: \pm 0.03 %/ $^{\circ}$ C (\pm 0.02 %/ $^{\circ}$ F)

Input delay time: \leq 150 msec.

Burnout response time (T/C, RTD, potentiometer or resistor input): \leq 1 sec.

Insulation resistance: \geq 100 M Ω with 500 V DC

Dielectric strength: 1500 V AC @ 1 minute (input 1 to input 2 to input 3 to input 4 to internal bus or internal power)

1500 V AC @ 1 minute (power input to FE; isolated on the power supply module)

STANDARDS & APPROVALS

EU conformity:

EMC Directive

EMI EN 61000-6-4

EMS EN 61000-6-2

RoHS Directive

INPUT TYPE, RANGE & CONVERSION ACCURACY

Table 1

INPUT TYPE		INPUT RANGE		CONVERSION ACCURACY		
DC Current		-20 – +20 mA DC		±20 µA		
DC Voltage		-1000 – +1000 mV DC		When maximum range*2 is 60 mV or less: ±80 µV When maximum range*2 is 120 mV or less: ±150 µV When maximum range*2 exceeds 120 mV: ±1 mV		
		-10 – +10 V DC		±10 mV		
Potentiometer*3		0 – 4000 Ω		Larger value of either ±0.1 Ω or ±0.1 %		
Resistor*3		0 – 4000 Ω		Larger value of either ±0.1 Ω or ±0.1 %		
Thermocouple*3	°C			°F		
	Usable range	Conv. accuracy *1	Conformance range	Usable range	Conv. accuracy *1	Conformance range
(PR)	-50 – +1860	±2.0	0 – 1760	-58 – +3380	±3.6	32 – 3200
K (CA)	-273.2 – +1470	±1.0	-150 – +1370	-460 – +2678	±1.8	-238 – +2498
E (CRC)	-273.2 – +1020	±1.0	-170 – +1000	-460 – +1868	±1.8	-274 – +1832
J (IC)	-273.2 – +1300	±1.0	-180 – +1200	-460 – +2372	±1.8	-292 – +2192
T (CC)	-273.2 – +500	±1.0	-170 – +400	-460 – +932	±1.8	-274 – +752
B (RH)	20 – 1920	±2.0	400 – 1760	68 – 3488	±3.6	752 – 3200
R	-100 – +1860	±2.0	200 – 1760	-148 – +3380	±3.6	392 – 3200
S	-100 – +1860	±2.0	0 – 1760	-148 – +3380	±3.6	32 – 3200
C (WRe 5-26)	-50 – +2420	±2.0	0 – 2315	-58 – +4388	±3.6	32 – 4199
N	-273.2 – +1400	±1.0	-130 – +1300	-460 – +2552	±1.8	-202 – +2372
U	-273.2 – +700	±1.0	-200 – +600	-460 – +1292	±1.8	-328 – +1112
L	-273.2 – +1000	±1.0	-200 – +900	-460 – +1832	±1.8	-328 – +1652
P (Platinel II)	-50 – +1500	±1.0	0 – 1395	-58 – +2732	±1.8	32 – 2543
RTD*3	°C			°F		
	Usable range	Conv. accuracy	Conformance range	Usable range	Conv. accuracy	Conformance range
Pt 100 (JIS'97, IEC)	-240 – +950	±1.0	-200 – +850	-400 – +1742	±1.8	-328 – +1562
Pt 500	-240 – +950	±0.5	-200 – +850	-400 – +1742	±0.9	-328 – +1562
Pt 1000	-240 – +950	±0.5	-200 – +850	-400 – +1742	±0.9	-328 – +1562
Pt 50 Ω (JIS'81)	-235 – +750	±2.0	-200 – +649	-391 – +1382	±3.6	-328 – +1200
JPt 100 (JIS'89)	-235 – +610	±1.0	-200 – +510	-391 – +1130	±1.8	-328 – +950
Ni 508.4 Ω	-100 – +330	±0.5	-50 – +200	-148 – +626	±0.9	-58 – +392
Cu 10 @ 25°C	-210 – +350	±3.0	-50 – +250	-346 – +662	±5.4	-58 – +482

*1. Thermocouple: Cold junction compensation error is not included in above figures. Take it into account when cold junction compensation is enabled.

*2. Maximum range: Absolute value of 0% or 100% of the input range, whichever is greater.

*3. Burnout indication (potentiometer, resistor, thermocouple or RTD): upscale burnout (32767), downscale burnout (-32768).

CONFIGURATOR SOFTWARE SETTING

The following parameters can be set with using PC Configurator Software (model: R30CFG)
Refer to the users manual for the R30CFG for detailed operation of the software program.

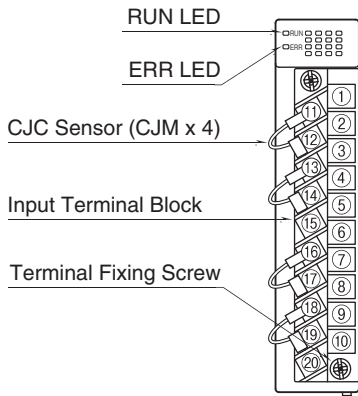
■ CHANNEL INDIVIDUAL SETTING

PARAMETER	SETTING RANGE	DEFAULT SETTING
Unused setting	CH enabled CH disabled	CH enabled
Input type	-10 – +10 V DC -1000 – +1000 mV DC -20 – +20 mA DC POT 0 – 4000 Ohm POT 0 – 2500 Ohm POT 0 – 1200 Ohm POT 0 – 600 Ohm POT 0 – 300 Ohm POT 0 – 150 Ohm OHM 0 – 4000 Ohm RTD Pt 100 RTD Pt 500 RTD Pt 1000 RTD Pt 50 Ω RTD JPt 100 RTD Ni 508.4 Ω RTD Cu 10 TC (PR) TC K TC E TC J TC T TC B TC R TC S TC C TC N TC U TC L TC P	-10 – +10 V DC
Wiring	2-wire 3-wire	–
Burnout	Upscale Downscale None	–
CJC	Enabled Disabled	–
Unit	degC degF K	–
Fine zero adjustment	-320.00 – +320.00 (%)	0.00 (%)
Fine gain adjustment	-3.2000 – +3.2000	1.0000
Zero base	depends on input types*1	-10.000 V DC
Full base	depends on input types*1	10.000 V DC
Scaled range Zero	-32 000 – +32 000	0
Scaled range Span	-32 000 – +32 000	10 000
First order lag filter	0.0, 0.5 – 60.0 sec.	0.0 sec.

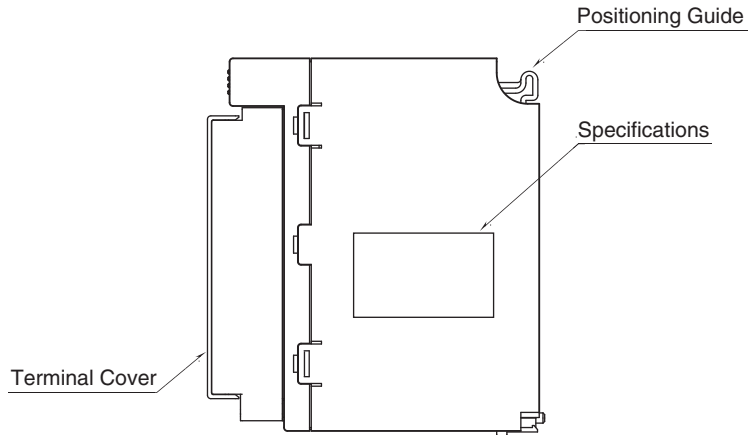
*1. For details, refer to the users manual of R30CFG.

EXTERNAL VIEW

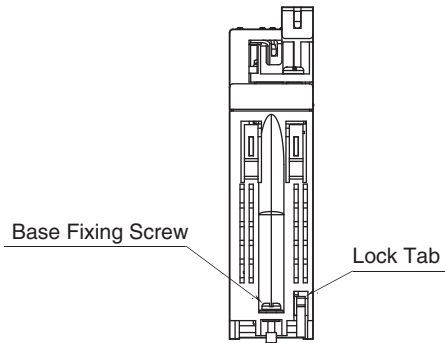
FRONT VIEW



SIDE VIEW



BOTTOM VIEW

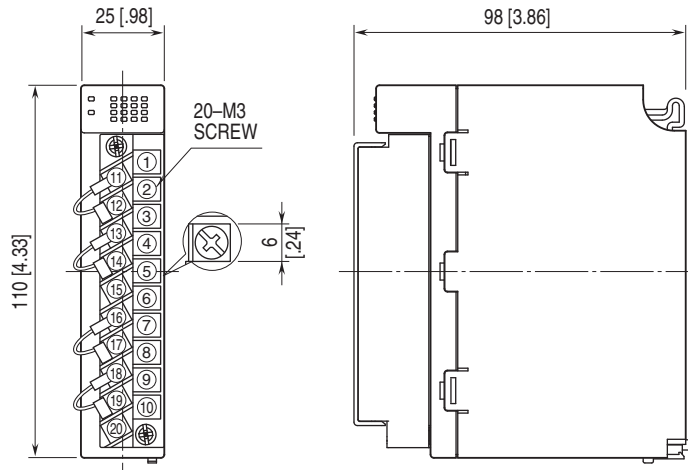


TERMINAL ASSIGNMENTS

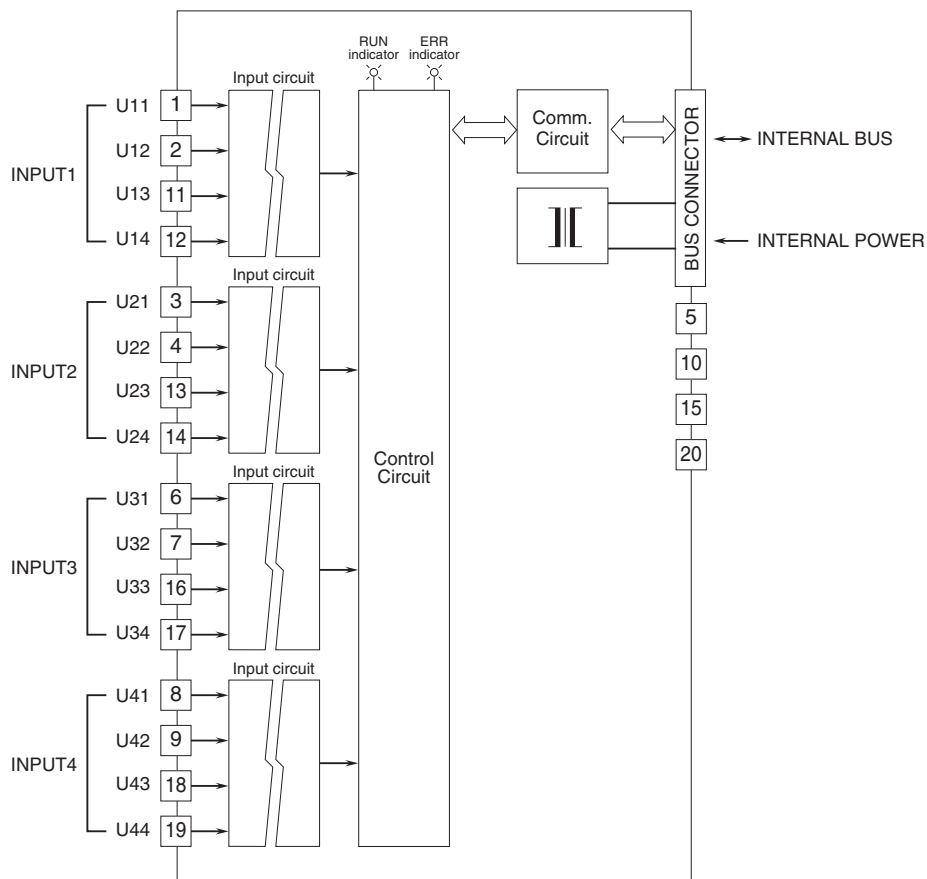
	1
11	U11
U13	2
12	U12
U14	3
13	U21
U23	4
14	U22
U24	5
15	NC
NC	6
16	U31
U33	7
17	U32
U34	8
18	U41
U43	9
19	U42
U44	10
20	NC
NC	

NO.	ID	FUNCTION					
		Wide Span Voltage Range / Current	Narrow Span Voltage Range	T/C	RTD / Resistor (3-wire)	RTD / Resistor (2-wire)	Potentiometer
1	U11	Wide Span volt. range / Current 1	–	–	–	–	–
2	U12	–	Narrow Span volt. range 1	T/C 1	RTD 1-b	–	Input S1
3	U21	Wide Span volt. range / Current 2	–	–	–	–	–
4	U22	–	Narrow Span volt. range 2	T/C 2	RTD 2-b	–	Input S2
5	NC	No connection					
6	U31	Wide Span volt. range / Current 3	–	–	–	–	–
7	U32	–	Narrow Span volt. range 3	T/C 3	RTD 3-b	–	Input S3
8	U41	Wide Span volt. range / Current 4	–	–	–	–	–
9	U42	–	Narrow Span volt. range 4	T/C 4	RTD 4-b	–	Input S4
10	NC	No connection					
11	U13	–	–	CJM 1	RTD 1-B	RTD 1-B	Input L1
12	U14	Common 1	Common 1	COM 1	RTD 1-A	RTD 1-A	Input H1
13	U23	–	–	CJM 2	RTD 2-B	RTD 2-B	Input L2
14	U24	Common 2	Common 2	COM 2	RTD 2-A	RTD 2-A	Input H2
15	NC	No connection					
16	U33	–	–	CJM 3	RTD 3-B	RTD 3-B	Input L3
17	U34	Common 3	Common 3	COM 3	RTD 3-A	RTD 3-A	Input H3
18	U43	–	–	CJM 4	RTD 4-B	RTD 4-B	Input L4
19	U44	Common 4	Common 4	COM 4	RTD 4-A	RTD 4-A	Input H4
20	NC	No connection					

EXTERNAL DIMENSIONS & TERMINAL ASSIGNMENTS unit: mm [inch]

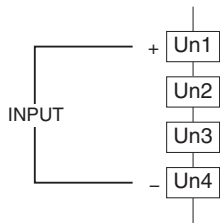


SCHEMATIC CIRCUITRY & CONNECTION DIAGRAM

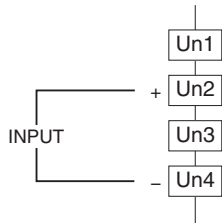


■ UNIVERSAL INPUT CONNECTION

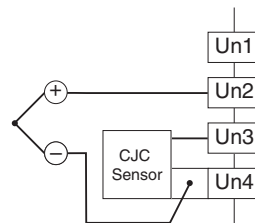
- DC Voltage (-10 – +10V)
- DC Current (-20 – +20mA)



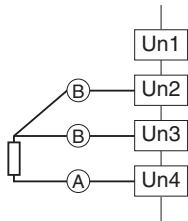
- DC Voltage (-1000 – +1000mV)



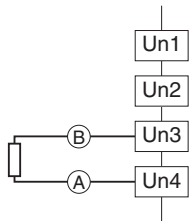
- Thermocouple



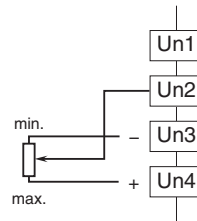
- RTD or Resistor (3-wire)



- RTD or Resistor (2-wire)



- Potentiometer



Specifications are subject to change without notice.