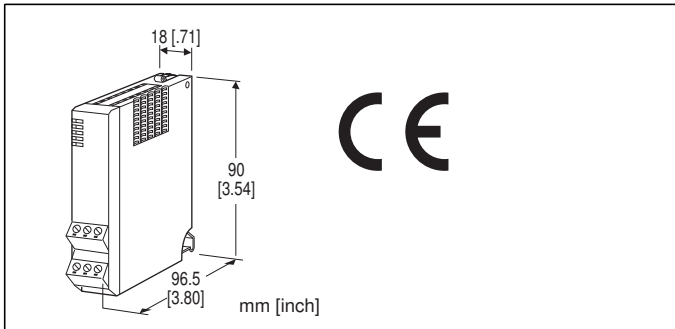


## Remote I/O R5 Series

### DISCRETE INPUT MODULE

(Di 4 points)



### MODEL: R5-DA4[1][2]

#### ORDERING INFORMATION

- Code number: R5-DA4[1][2]  
Specify a code from below for each of [1] and [2].  
(e.g. R5-DA4W/A/Q)
- Specify the specification for option code /Q  
(e.g. /C01)

#### NO. OF CHANNELS

4: 4

#### [1] COMMUNICATION MODE

S: Single

W: Dual

#### [2] OPTIONS (multiple selections)

Excitation

Blank: Internal

/A: External (24 V DC, positive common)

/B: External (24 V DC, negative common)

Other Options

blank: none

/Q: Option other than the above (specify the specification)

#### SPECIFICATIONS OF OPTION: Q

COATING (For the detail, refer to our web site.)

/C01: Silicone coating

/C02: Polyurethane coating

/C03: Rubber coating

#### GENERAL SPECIFICATIONS

##### Connection

**Internal bus:** Via the Installation Base (model: R5-BS)

**Input:** Euro type connector terminal  
(Applicable wire size: 0.2 – 2.5 mm<sup>2</sup> (AWG24 - 12),  
stripped length 7 mm)

**Internal power:** Via the base (model: R5-BS)

**Isolation:** Di1 or Di2 to Di3 or Di4 to internal bus or internal power

**RUN indicator:** Bi-color (red/green) LED;  
Red when the bus A operates normally;  
Green when the bus B operates normally;  
Amber when both buses operate normally.

**Input status indicator:** Red LED; turns on with the input ON.

#### INPUT SPECIFICATIONS

##### ■ Internal Excitation

**Input:** Dry contact, 4 points

**Common:** Negative, every 2 points

**Contact detecting:** Max. 24 V DC

**ON voltage, current:** ≥ 15 V, ≥ 2.5 mA

**OFF voltage, current:** ≤ 6 V, ≤ 1 mA

##### ■ External Excitation (Positive common)

**Input:** 24 V DC, 4 points (input resistance 6 kΩ)

**Common:** every 2 points

**Contact detecting:** external 24 V DC ±10 %

**ON voltage, current:** ≥ 15 V, ≥ 2.5 mA

**OFF voltage, current:** ≤ 6 V, ≤ 1 mA

##### ■ External Excitation (Negative common)

**Input:** 24 V DC, 4 points (input resistance 6 kΩ)

**Common:** every 2 points

**Contact detecting:** external 24 V DC ±10 %

**ON voltage, current:** ≥ 15 V, ≥ 2.5 mA

**OFF voltage, current:** ≤ 6 V, ≤ 1 mA

#### INSTALLATION

**Operating temperature:** -10 to +55°C (14 to 131°F)

**Operating humidity:** 30 to 90 %RH (non-condensing)

**Atmosphere:** No corrosive gas or heavy dust

**Mounting:** Installation Base (model: R5-BS)

**Weight:** 100 g (0.22 lb)

#### PERFORMANCE

**Data allocation:** 1

**Response time:** ≤ 0.1 sec.

**Insulation resistance:** ≥ 100 MΩ with 500 V DC

**Dielectric strength:** 1500 V AC @ 1 minute (Di 1 or Di 2 to Di 3 or Di 4 to internal bus or internal power)

2000 V AC @ 1 minute (power input to FG; isolated on the power supply module)

## STANDARDS & APPROVALS

EU conformity:

EMC Directive

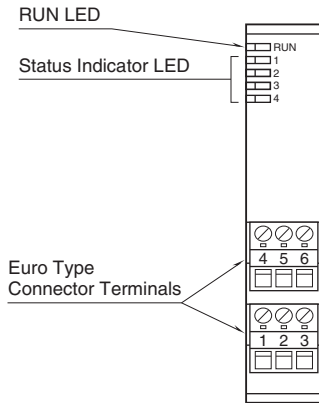
EMI EN 61000-6-4

EMS EN 61000-6-2

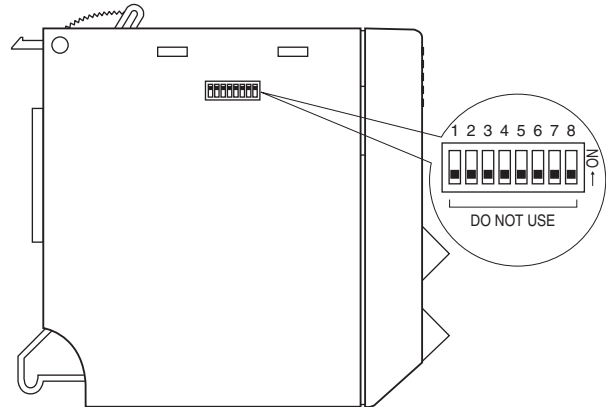
RoHS Directive

## EXTERNAL VIEW

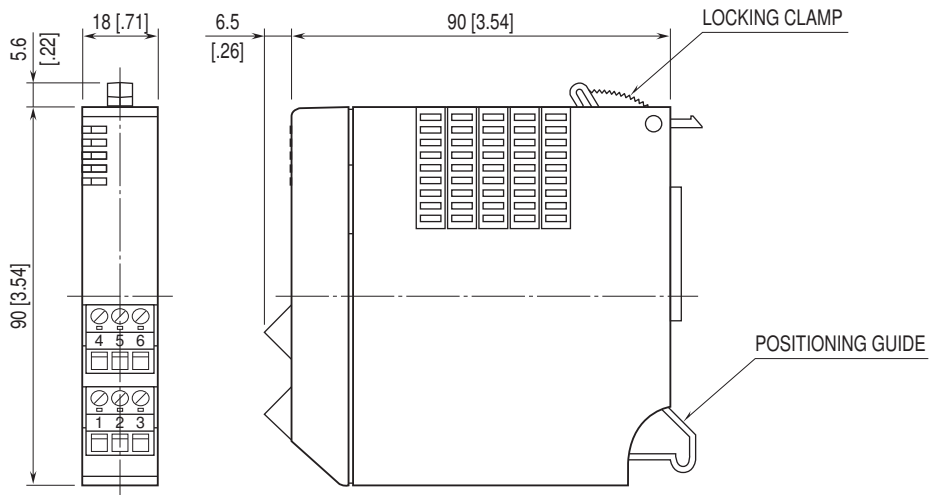
### FRONT VIEW



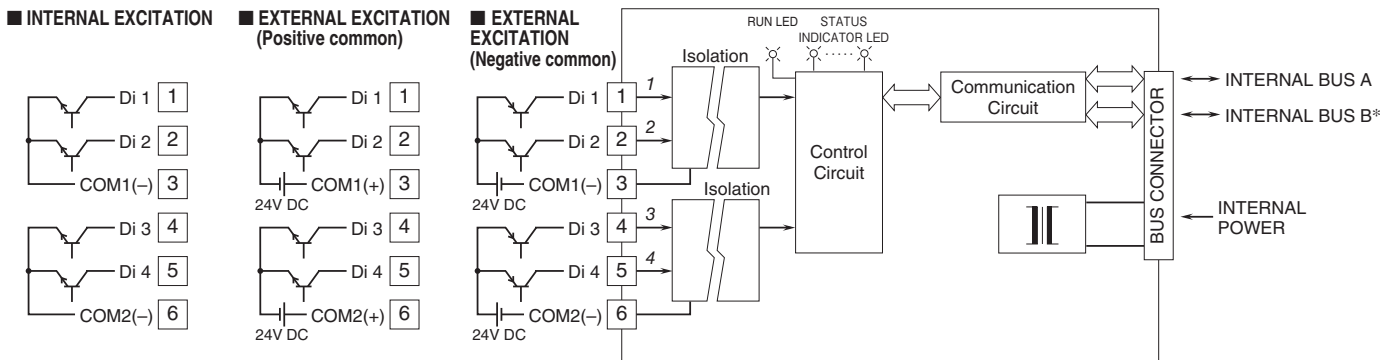
### SIDE VIEW



## EXTERNAL DIMENSIONS & TERMINAL ASSIGNMENTS unit: mm [inch]



**SCHEMATIC CIRCUITRY & CONNECTION DIAGRAM**



\*For dual redundant communication.  
 Note: Italic typed numbers correspond to the LEDs on the front panel.



Specifications are subject to change without notice.