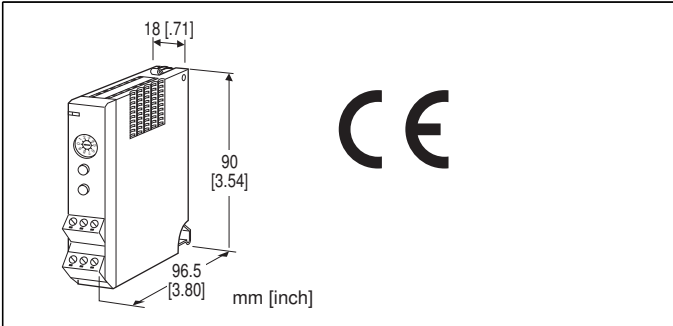


Remote I/O R5 Series

4 - 20 mA INPUT MODULE

(2-wire transmitter excitation supply;
re-transmitted output)



MODEL: R5-DS1A[1][2]

ORDERING INFORMATION

- Code number: R5-DS1A[1][2]
- Specify a code from below for each of [1] and [2].
(e.g. R5-DS1AW/Q)
- Specify the specification for option code /Q
(e.g. /C01)

NO. OF CHANNELS

1: 1 channel

OUTPUT

Current
A: 4 - 20 mA DC (Load resistance 600 Ω max.)

[1] COMMUNICATION MODE

S: Single
W: Dual

[2] OPTIONS

blank: none
/Q: With options (specify the specification)

SPECIFICATIONS OF OPTION: Q

COATING (For the detail, refer to our web site.)
/C01: Silicone coating
/C02: Polyurethane coating
/C03: Rubber coating

GENERAL SPECIFICATIONS

Connection

Internal bus: Via the Installation Base (model: R5-BS)
I/O: Euro type connector terminal
(Applicable wire size: 0.2 - 2.5 mm² (AWG24 - 12),
stripped length 7 mm)

Internal power: Via the base (model: R5-BS)

Isolation: Input to output to internal bus or internal power
Zero/Span adj. mode selector: Rotary switch; monitor mode,
adj. mode and simulated output mode selectable

RUN indicator: Bi-color (red/green) LED;
Red when the bus A operates normally;
Green when the bus B operates normally;
Amber when both buses operate normally.

SUPPLY OUTPUT

Output voltage: 24 - 29 V DC with no load
Current rating: \leq 22 mA DC
• Shortcircuit Protection
Current limited: 30 mA max.
Protected time duration: No limit

INPUT SPECIFICATIONS

■ DC Current: 4 - 20 mA DC
Input resistance: 250 Ω resistor incorporated

OUTPUT SPECIFICATIONS

Operational range: Approx. 0 - 24 mA DC

INSTALLATION

Operating temperature: -10 to +55°C (14 to 131°F)
Operating humidity: 30 to 90 %RH (non-condensing)
Atmosphere: No corrosive gas or heavy dust
Mounting: Installation Base (model: R5-BS)
Weight: 100 g (0.22 lb)

PERFORMANCE

Conversion accuracy
Input: \pm 0.05 %
Output: \pm 0.1 % of the retransmitted range + input
conversion accuracy
Data range: 0 - 10000 of the input range
Data allocation: 1
Temp. coefficient
Input: \pm 0.015 %/°C (\pm 0.008 %/°F)
Output: \pm 0.02 %/°C (\pm 0.01 %/°F)
Response time: \leq 0.2 sec. (0 - 90 %)
Insulation resistance: \geq 100 M Ω with 500 V DC
Dielectric strength: 1500 V AC @ 1 minute (input to output
to internal bus or internal power)

2000 V AC @ 1 minute (power input to FG; isolated on the power supply module)

STANDARDS & APPROVALS

EU conformity:

EMC Directive

EMI EN 61000-6-4

EMS EN 61000-6-2

RoHS Directive

FUNCTIONS

• Zero/Span Adjustment Modes

Monitor Mode

Re-transmits the input signal as output in proportion.

Output 0 % Adjustment Mode

Adjusts the 0 % output signal using the front UP/DOWN buttons, in monitoring the output value with a multimeter. SW1 through SW3 switch the internal increments by 1, 5 and 10.

Output 100 % Adjustment Mode

Adjusts the 100 % output signal using the front UP/DOWN buttons, in monitoring the output value with a multimeter. SW4 through SW6 switch the internal increments by 1, 5 and 10.

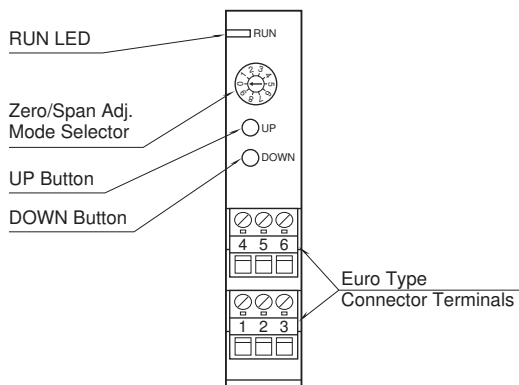
Simulated Output Mode

Outputs the simulated signals of 0 %, 50 % and 100 %.

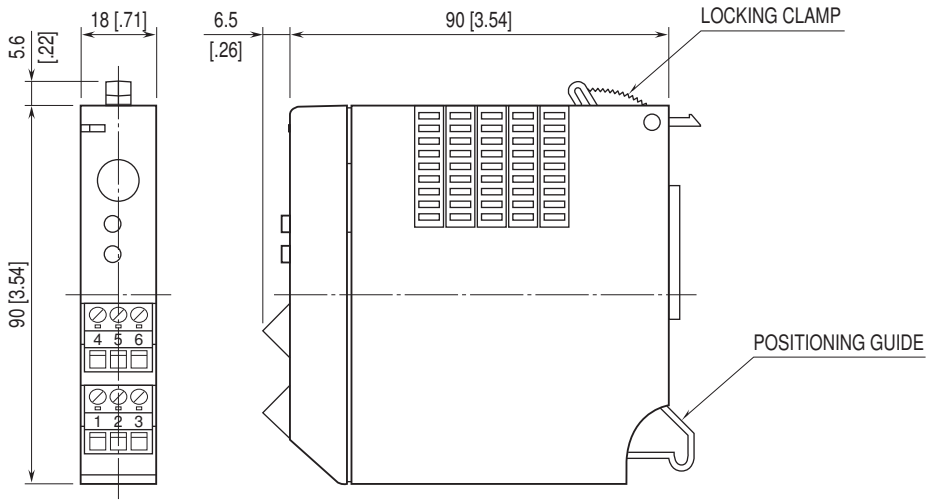
• How to Operate

- 1) Start up in Monitor Mode (SW position = 0) and wait for 2 or 3 seconds.
- 2) Switch to another mode and go through the adjustments.
- 3) Reset the switch to the position '0' so that the new setting is stored in the internal memory.

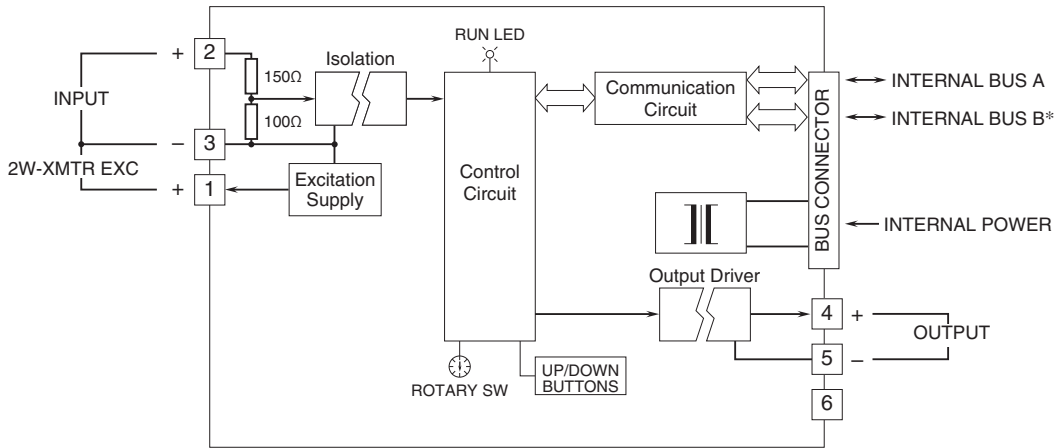
EXTERNAL VIEW



EXTERNAL DIMENSIONS & TERMINAL ASSIGNMENTS unit: mm [inch]



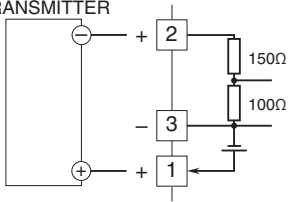
SCHEMATIC CIRCUITRY & CONNECTION DIAGRAM



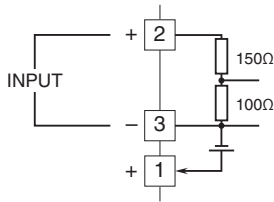
*For dual redundant communication.

■ When Used as DC Supply

2-WIRE TRANSMITTER



■ When Used as Current Input



Specifications are subject to change without notice.