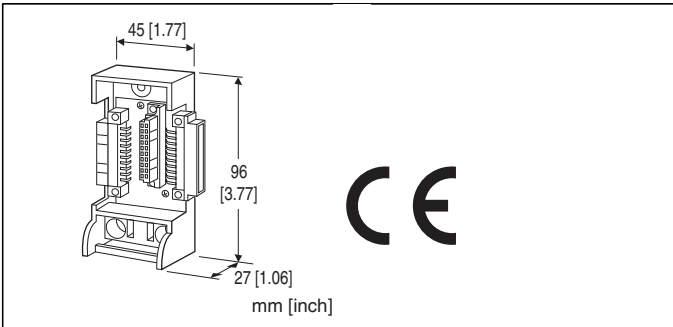


## Remote I/O R5 Series

(internal power or internal bus to ground)

### EXTENDER POWER MODULE BASE



### STANDARDS & APPROVALS

#### EU conformity:

EMC Directive

EMI EN 61000-6-4

EMS EN 61000-6-2

RoHS Directive

## MODEL: R5-EX1[1]

### ORDERING INFORMATION

- Code number: R5-EX1[1]

Specify a code from below for [1].

(e.g. R5-EX1/Q)

- Specify the specification for option code /Q

(e.g. /C01)

### [1] OPTIONS

blank: none

/Q: With options (specify the specification)

### SPECIFICATIONS OF OPTION: Q

COATING (For the detail, refer to our web site.)

Only solder side of the main PWB is coated.

/C01: Silicone coating

/C02: Polyurethane coating

/C03: Rubber coating

### GENERAL SPECIFICATIONS

Connection: 20-pin connector

Housing material: Flame-resistant resin (gray)

### INSTALLATION

Operating temperature: -10 to +55°C (14 to 131°F)

Operating humidity: 30 to 90 %RH (non-condensing)

Atmosphere: No corrosive gas or heavy dust

Mounting: Surface or DIN rail

Weight: 40 g (1.4 oz)

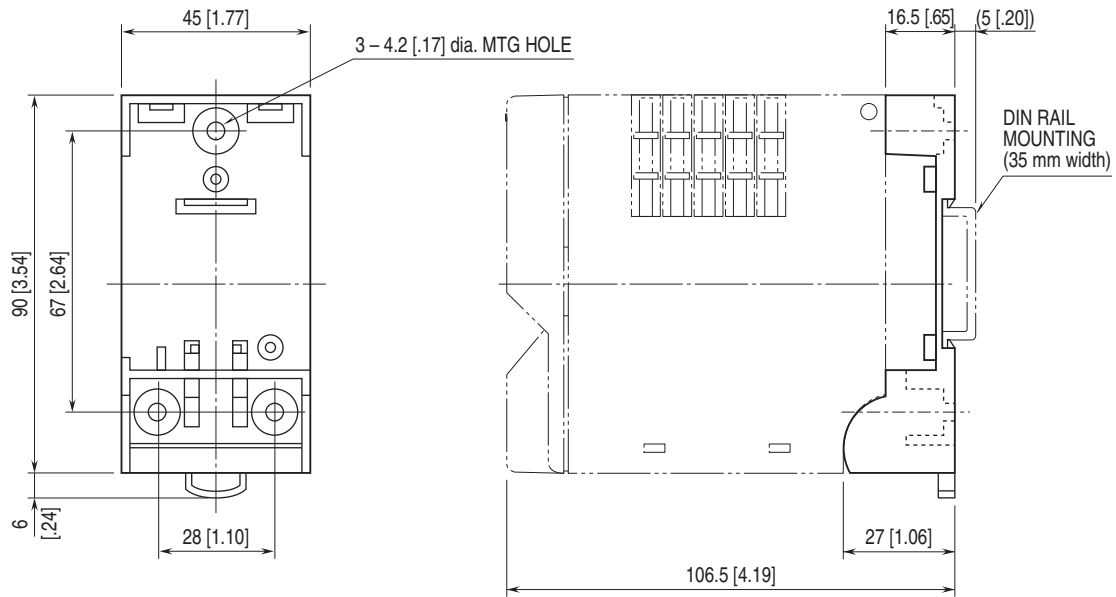
### PERFORMANCE

Insulation resistance:  $\geq 100 \text{ M}\Omega$  with 500 V DC

(internal power or internal bus to ground)

Dielectric strength: 2000 V AC @ 1 minute

**EXTERNAL DIMENSIONS** unit: mm [inch]



Use an end bracket to secure the connection of the extender base on a DIN rail.



Specifications are subject to change without notice.