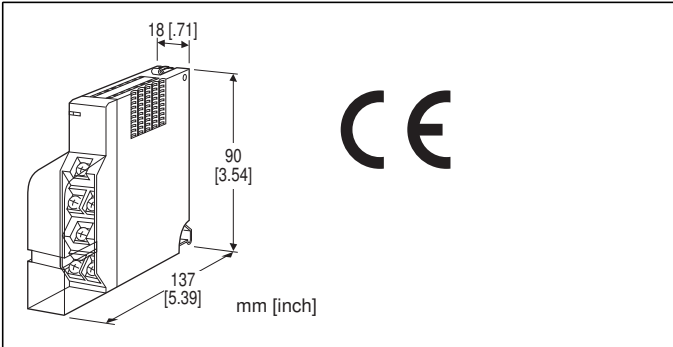


Remote I/O R5 Series

DC CURRENT INPUT MODULE

(screw terminal block)



MODEL: R5T-SS[1][2][3]

ORDERING INFORMATION

- Code number: R5T-SS[1][2][3]
Specify a code from below for each of [1] through [3].
(e.g. R5T-SS2W/Q)
- Specify the specification for option code /Q
(e.g. /C01/S01)

[1] NO. OF CHANNELS

- 1: 1 channel
- 2: 2 channels

[2] COMMUNICATION MODE

- S: Single
- W: Dual

[3] OPTIONS

- blank: none
- /Q: With options (specify the specification)

SPECIFICATIONS OF OPTION: Q (multiple selections)

COATING (For the detail, refer to our web site.)

- /C01: Silicone coating
- /C02: Polyurethane coating
- /C03: Rubber coating

TERMINAL SCREW MATERIAL

- /S01: Stainless steel

GENERAL SPECIFICATIONS

Connection

Internal bus: Via the Installation Base (model: R5-BS)

Input: M3.5 screw terminal block (torque 0.8 N·m)

Internal power: Via the base (model: R5-BS)

Screw terminal: Nickel-plated steel (standard) or stainless steel

Isolation: Input 1 to input 2 to internal bus or internal power

Input range: Selectable with the side DIP SW

RUN indicator: Bi-color (red/green) LED;

Red when the bus A operates normally;

Green when the bus B operates normally;

Amber when both buses operate normally.

INPUT SPECIFICATIONS

■ NARROW SPAN: -1 - +1 mA, 0 - 1 mA DC

Input resistance: 1600 Ω resistor incorporated

■ WIDE SPAN: -40 - +40 mA, -20 - +20 mA 0 - 40 mA, 0 - 20 mA, 4 - 20 mA DC

Input resistance: 40 Ω resistor incorporated

INSTALLATION

Operating temperature: -10 to +55°C (14 to 131°F)

Operating humidity: 30 to 90 %RH (non-condensing)

Atmosphere: No corrosive gas or heavy dust

Mounting: Installation Base (model: R5-BS)

Weight: 110 g (0.24 lb)

PERFORMANCE

Conversion accuracy: ±0.1 %

Data range: 0 - 10000 of the input range

Data allocation: 1 (2 for 2-channel type)

Temp. coefficient: ±0.015 %/°C (±0.008 %/°F)

Response time: ≤ 0.2 sec. (0 - 90 %)

Insulation resistance: ≥ 100 MΩ with 500 V DC

Dielectric strength: 1500 V AC @ 1 minute (input 1 to input 2 to internal bus or internal power)

2000 V AC @ 1 minute (power input to FG; isolated on the power supply module)

STANDARDS & APPROVALS

EU conformity:

EMC Directive

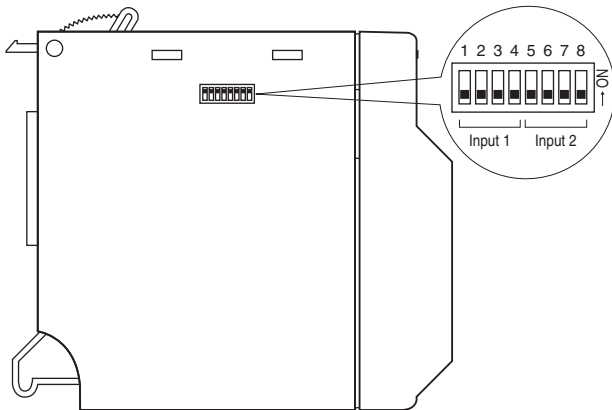
EMI EN 61000-6-4

EMS EN 61000-6-2

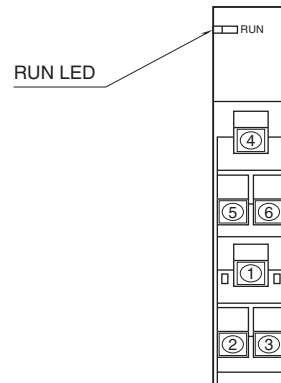
RoHS Directive

EXTERNAL VIEW

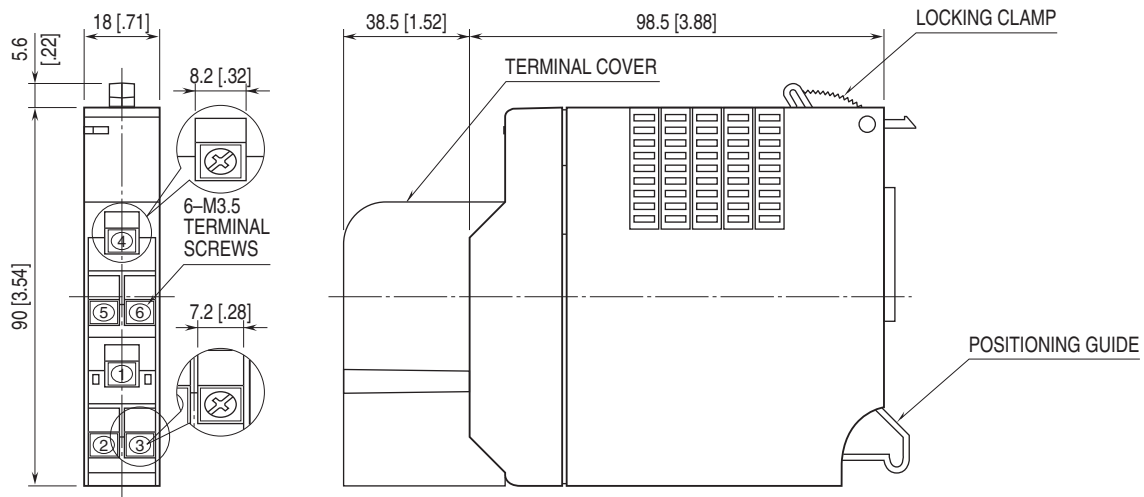
■ SIDE VIEW



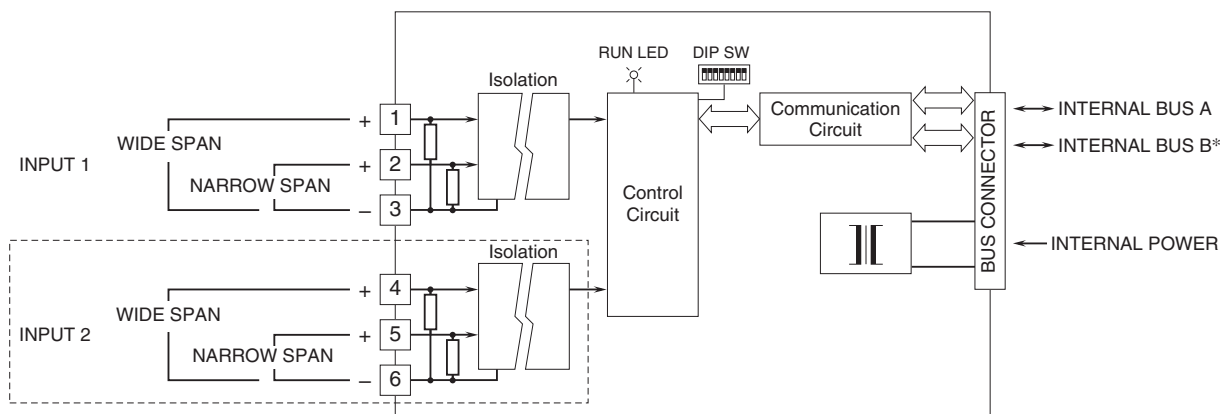
■ FRONT VIEW



EXTERNAL DIMENSIONS & TERMINAL ASSIGNMENTS unit: mm [inch]



SCHEMATIC CIRCUITRY & CONNECTION DIAGRAM



*For dual redundant communication.
 Note: Connect either wide or narrow span terminals for each channel.
 The section enclosed by broken line is with 2-ch. option.



Specifications are subject to change without notice.