

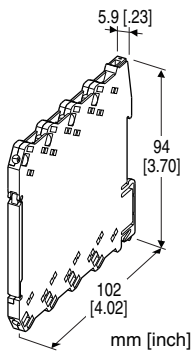
Remote I/O R6 Series

DC VOLTAGE OUTPUT MODULE

(2 points, Euro terminal)

Functions & Features

- 2 channels for DC voltage output, compact size remote I/O module
- Output range adjustment with DIP switch or PC configurator



MODEL: R6D-YV2[1]

ORDERING INFORMATION

- Code number: R6D-YV2[1]
- Specify a code from below for [1].
(e.g. R6D-YV2/Q)
- Specify the specification for option code /Q
(e.g. /C01)

[1] OPTIONS

blank: none

/Q: With options (specify the specification)

SPECIFICATIONS OF OPTION: Q

COATING

/C01: Silicone coating

/C02: Polyurethane coating

RELATED PRODUCTS

- PC configurator software (model: R6CON)
Downloadable at our web site.
- A dedicated cable is required to connect the module to the PC. Please refer to the internet software download site or the users manual for the PC configurator for applicable cable types.

GENERAL SPECIFICATIONS

Connection

Internal bus: Via the Installation Base (model: R6D-BS)

Output: Euro terminal block (torque 0.3 N·m)

(Applicable wire size: 0.2 to 2.5 mm², stripped length 8 mm)

Internal power: Via the Installation Base (model: R6D-BS)

Housing material: Flame-resistant resin (black)

Isolation: Output 1 to output 2 to internal bus or internal power

Zero adjustments: PC programming

Span adjustments: PC programming

Output range: Selectable with the side DIP SW or PC programming

Module address: Selectable with DIP and rotary switches on the side

Output at the loss of communication: Selectable with the side DIP SW

Configuration mode: With DIP switches on the side panel

Power indicator: Green LED; Refer to the instruction manual for details.

Status indicator: Bi-color (red/green) LED;
Refer to the instruction manual for details.

OUTPUT SPECIFICATIONS

Overrange output: -11.5 - +11.5 V DC or -15 to +115 %

■ **Narrow Span:** -1 - +1 V, 0 - 1 V, -0.5 - +0.5 V DC

Load resistance: 10 kΩ min.

■ **Wide Span:** -10 - +10 V, -5 - +5 V,

0 - 10 V, 0 - 5 V, 1 - 5 V DC

Load resistance: 10 kΩ min.

INSTALLATION

Current consumption: 25 mA

Operating temperature: -10 to +55°C (14 to 131°F)

Operating humidity: 30 to 90 %RH (non-condensing)

Atmosphere: No corrosive gas or heavy dust

Mounting: Installation Base (model: R6D-BS)

Weight: 60 g (2.1 oz)

PERFORMANCE

Conversion accuracy: ±0.1 %

Data range: 0 - 10000 of the output range

Data allocation: 2

Temp. coefficient: ±0.01 %/°C (±0.006 %/°F)

Response time: ≤ 0.25 sec. (0 - 90 %)

Line voltage effect: ±0.1 % over voltage range

Insulation resistance: ≥ 100 MΩ with 500 V DC

Dielectric strength: 1500 V AC @ 1 minute (output 1 to output 2 to internal bus or internal power to ground)

STANDARDS & APPROVALS

EU conformity:

EMC Directive

EMI EN 61000-6-4

EMS EN 61000-6-2

RoHS Directive

FUNCTIONS

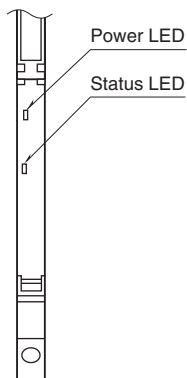
■ OUTPUT HOLD

The output function in case of a loss of communication is selectable with the side DIP SW: Reset the output (to -15 % or -11.5 V), Hold the output (last normally received data) or Fix the output at a specific value (PC programming).

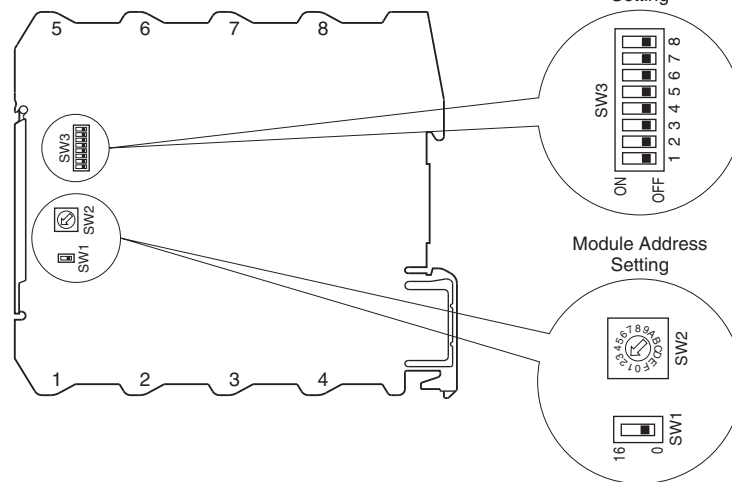
The output is held at -11.5 V or -15 % of the output range until normal data is received at the startup.

EXTERNAL VIEW

• Front View (cover opened)

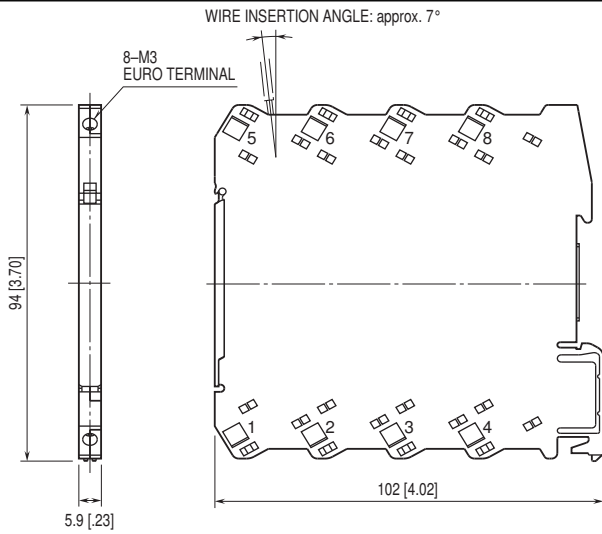


• Side View

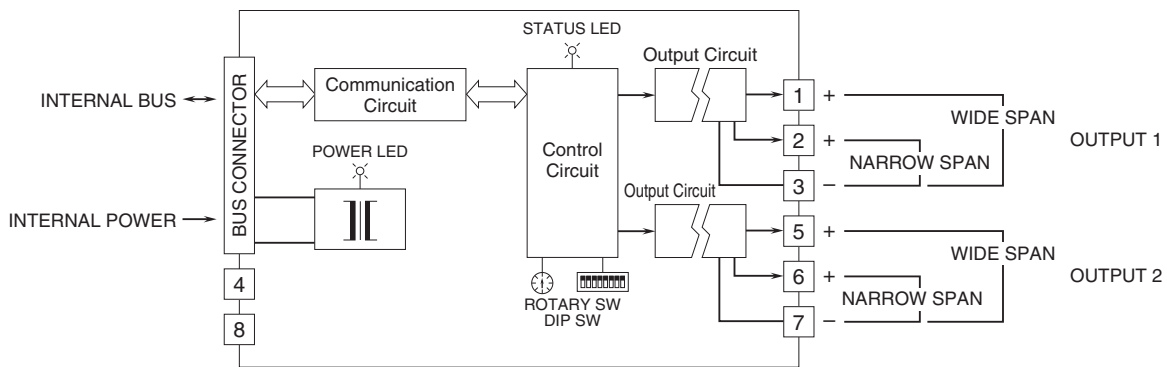


Refer to the instruction manual for setting procedures.

EXTERNAL DIMENSIONS & TERMINAL ASSIGNMENTS unit: mm [inch]



SCHEMATIC CIRCUITRY & CONNECTION DIAGRAM



Specifications are subject to change without notice.