

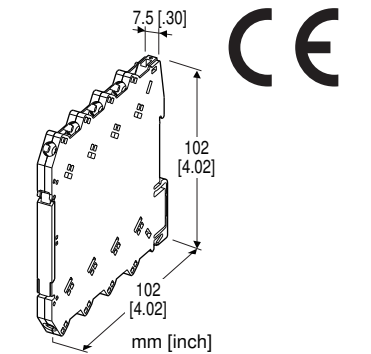
Remote I/O R6 Series

DISCRETE INPUT MODULE, 4 points

(Screw terminal)

Functions & Features

- Discrete input module (positive or negative common) with 4 channels



MODEL: R6N-DA4[1]

ORDERING INFORMATION

- Code number: R6N-DA4[1]
Specify a code from below for [1].
(e.g. R6N-DA4/Q)
- Specify the specification for option code /Q
(e.g. /C01)

[1] OPTIONS

blank: none

/Q: With options (specify the specification)

SPECIFICATIONS OF OPTION: Q

COATING (For the detail, refer to our web site.)

/C01: Silicone coating

/C02: Polyurethane coating

RELATED PRODUCTS

- PC configurator software (model: R6CON)
Downloadable at our web site.
A dedicated cable is required to connect the module to the PC. Please refer to the internet software download site or the users manual for the PC configurator for applicable cable types.

GENERAL SPECIFICATIONS

Connection

Internal bus: Via the Installation Base (model: R6N-BS)

Input: M3 screw terminals (torque 0.5 N·m)

Internal power: Via the Installation Base (model: R6N-BS)

Recommended solderless terminal: Max. 5.8 mm (0.23") wide; Ones with insulation sleeve do not fit.

Applicable wire size: 0.2 - 2.5 mm²

Housing material: Flame-resistant resin (black)

Isolation: Input to internal bus or internal power

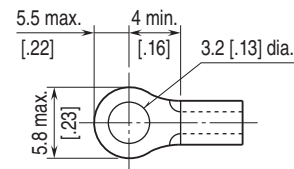
Module address: Selectable with DIP and rotary switches on the side

Power indicator: Green LED; Refer to the instruction manual for details.

Status indicator: Bi-color (red/green) LED; Refer to the instruction manual for details.

Discrete input status indicators: Red LED; Refer to the instruction manual for details.

■ Recommended solderless terminal (unit: mm [inch])



INPUT

Common: Positive or negative common (NPN/PNP) per 2 points

Number of I/O: Input, 4 points

Rated input voltage: 24 V DC $\pm 10\%$; ripple 5 %p-p max.

ON voltage / current: ≥ 15 V DC (input - COM) / ≥ 3.5 mA

OFF voltage / current: ≤ 5 V DC (input - COM) / ≤ 1 mA

Input current: ≤ 5.5 mA per point at 24 V DC

Input resistance: Approx. 4.4 k Ω

ON delay: ≤ 2.0 msec.

OFF delay: ≤ 2.0 msec.

INSTALLATION

Current consumption: 10 mA

Operating temperature: -10 to +55°C (14 to 131°F)

Operating humidity: 30 to 90 %RH (non-condensing)

Atmosphere: No corrosive gas or heavy dust

Mounting: Installation Base (model: R6N-BS)

Weight: 60 g (2.1 oz)

PERFORMANCE

Data allocation: 1

Insulation resistance: ≥ 100 M Ω with 500 V DC

Dielectric strength: 1500 V AC @ 1 minute

(input to internal bus or internal power to ground)

STANDARDS & APPROVALS

EU conformity:

EMC Directive

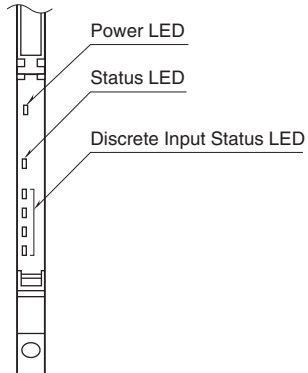
EMI EN 61000-6-4

EMS EN 61000-6-2

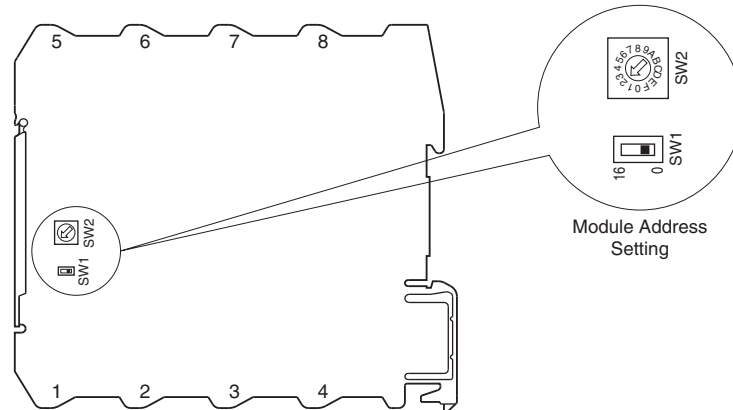
RoHS Directive

EXTERNAL VIEW

• Front View (cover opened)

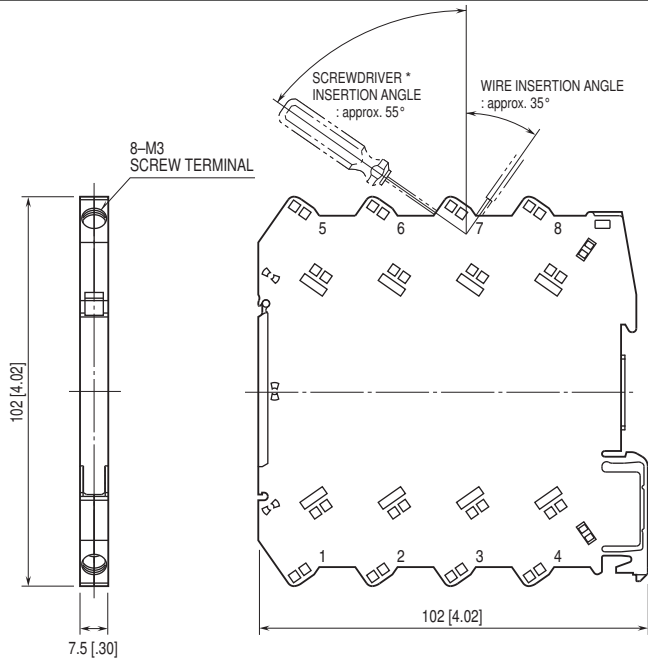


• Side View



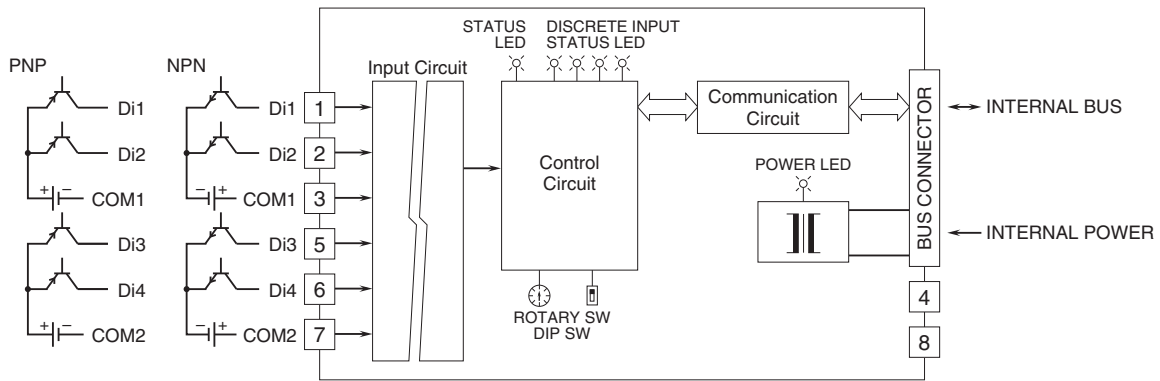
Refer to the instruction manual for setting procedures.

EXTERNAL DIMENSIONS & TERMINAL ASSIGNMENTS unit: mm [inch]

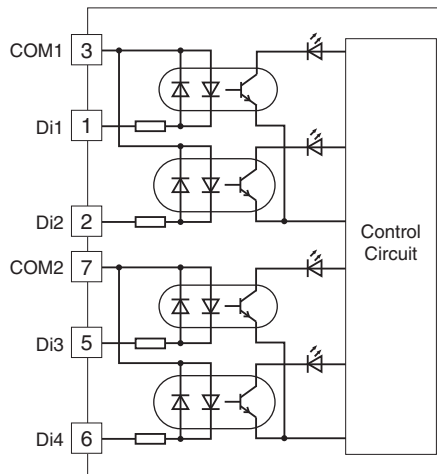


*Screwdriver stem diameter: 6 mm [0.24"] or less

SCHEMATIC CIRCUITRY & CONNECTION DIAGRAM



■ Input Circuit



Specifications are subject to change without notice.