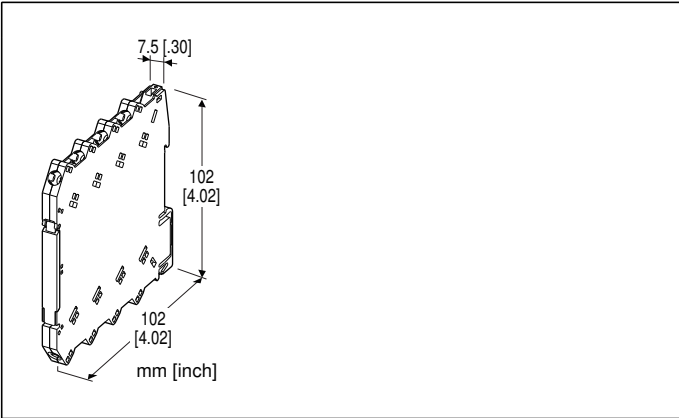


Remote I/O R6 Series

BLANK FILLER MODULE

(Screw terminal)



MODEL: R6N-DM

ORDERING INFORMATION

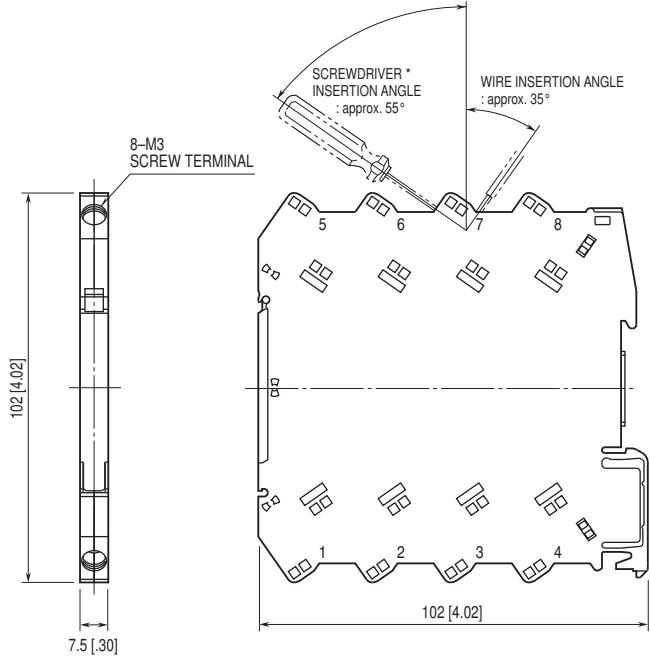
- Code number: R6N-DM

INSTALLATION

Mounting: Installation Base (model: R6N-BS)

Weight: 40 g (1.4 oz)

EXTERNAL DIMENSIONS & TERMINAL ASSIGNMENTS unit: mm [inch]



*Screwdriver stem diameter: 6 mm [0.24 inch] or less



Specifications are subject to change without notice.