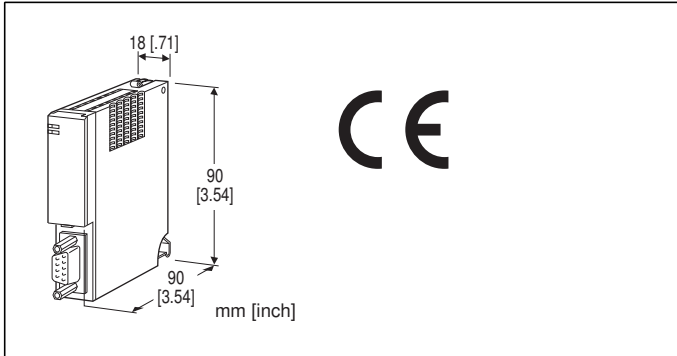


Remote I/O R6 Series

PROFIBUS-DP INTERFACE MODULE

(for 62-point analog signals)



MODEL: R6-NP1[1]

ORDERING INFORMATION

- Code number: R6-NP1[1]
Specify a code from below for [1].
(e.g. R6-NP1/Q)
- Specify the specification for option code /Q
(e.g. /C01)

[1] OPTIONS

blank: none

/Q: With options (specify the specification)

SPECIFICATIONS OF OPTION: Q

COATING (For the detail, refer to our web site.)

/C01: Silicone coating

/C02: Polyurethane coating

GENERAL SPECIFICATIONS

Connection

Network: 9-pin D-sub connector, female

Internal bus: Via the Installation Base (model: R6x-BS)

Power supply: Via the Installation Base (model: R6x-BS)

Max. number of I/O modules: 31 (analog 62 points)

Module address: 1 to 31

Isolation: PROFIBUS to internal bus or internal power

RUN indicator: Bi-color (green/red) LED (refer to the instruction manual)

ERR indicator: Bi-color (green/red) LED (refer to the instruction manual)

PROFIBUS COMMUNICATION

Interface: PROFIBUS-DP, slave (RS-485 isolation)

Station No. setting: Rotary switch; 00 - 7D

(Station No. is 7D even setting greater value)

Max. baud rate: 12 Mbps

Protocol: DPV1 (The following functions are available.)

Alarm function (Pull/Plug alarm, Status alarm);

I&M function (I&M 0 through 3)

Transmission cable: Approved for PROFIBUS-DP

GSD file: Msys0C57.GSD

Downloadable at our web site

Input data: Max. 124 bytes

Output data: Max. 124 bytes

Total I/O data: Max. 248 bytes

Diagnostics: Module-related, Status (device-related), Channel-related (max. 32 channels, maskable)

INSTALLATION

Operating temperature: -10 to +55°C (14 to 131°F)

Operating humidity: 30 to 90 %RH (non-condensing)

Atmosphere: No corrosive gas or heavy dust

Mounting: Installation Base (model: R6x-BS)

Weight: 100 g (0.22 lb)

PERFORMANCE

Insulation resistance: $\geq 100 \text{ M}\Omega$ with 500 V DC

Dielectric strength: 1500 V AC @1 minute (PROFIBUS to internal bus or internal power)

STANDARDS & APPROVALS

EU conformity:

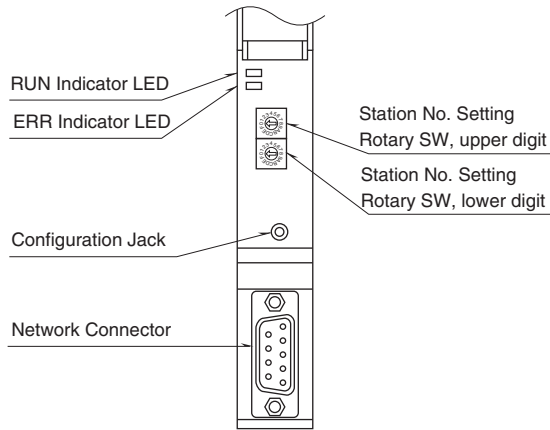
EMC Directive

EMI EN 61000-6-4

EMS EN 61000-6-2

RoHS Directive

EXTERNAL VIEW



PROFIBUS INTERFACE

PIN No.	SIGNAL	SIGNIFICANCE
1	NC	Not used
2	NC	Not used
3	B_line	Network, B-line
4	RTS	RTS signal
5	GND	0V
6	P5V	5V
7	NC	Not used
8	A_line	Network, A-line
9	NC	Not used

I/O DATA DESCRIPTIONS

16-BIT ANALOG DATA

0 to 100% of the selected I/O range is converted into 0 to 10000 (binary).

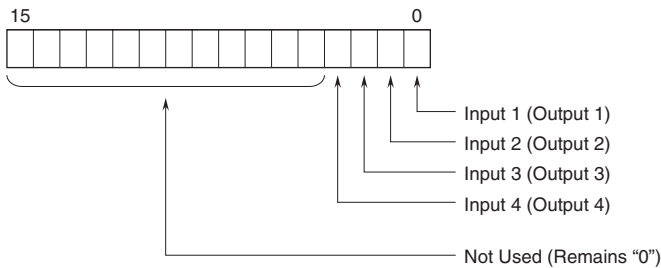
With °C or Kelvin temperature unit, raw data is multiplied by 10. For example, 25.5°C is converted into 255.

With °F temperature unit, the integer section of raw data is directly converted into the data. For example, 135.4°F is converted into 135.

Negative values are represented in 2's complements.

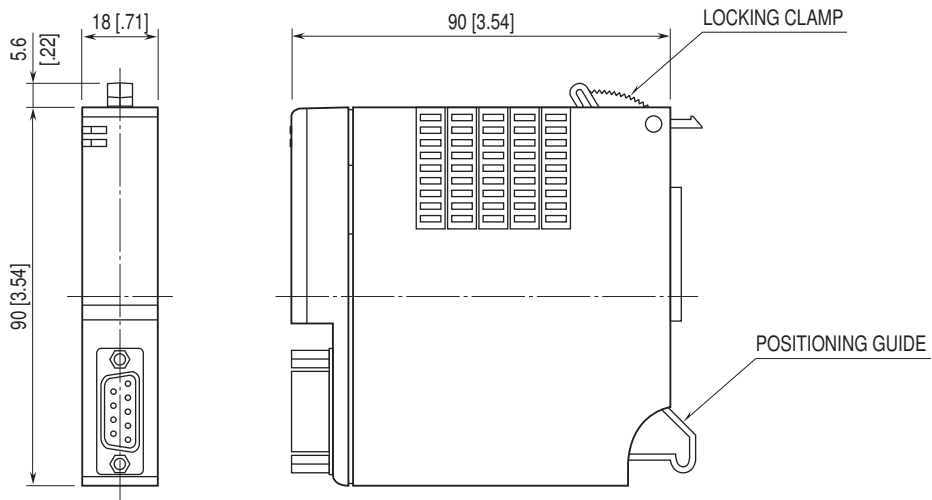


DISCRETE DATA

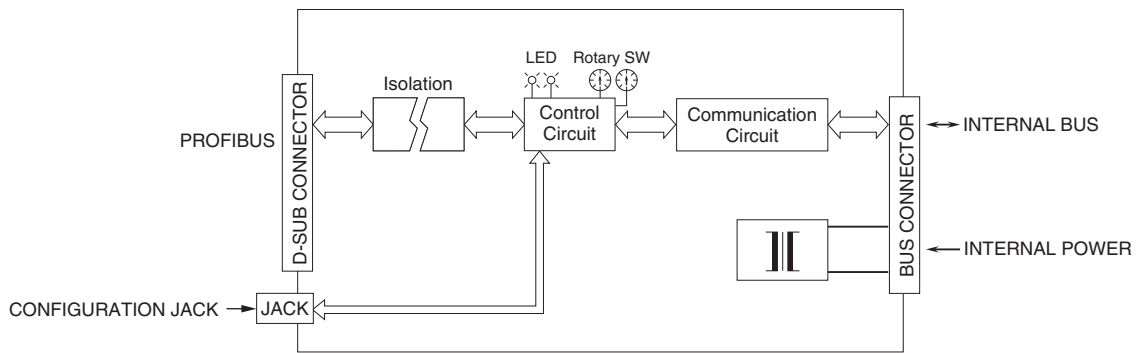


0: OFF
1: ON

EXTERNAL DIMENSIONS unit: mm [inch]



SCHEMATIC CIRCUITRY & CONNECTION DIAGRAM



Specifications are subject to change without notice.