

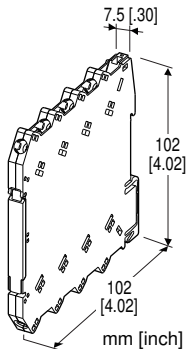
Remote I/O R6 Series

DC CURRENT OUTPUT MODULE

(2 points, Screw terminal)

Functions & Features

- 2 channels for DC current output, compact size remote I/O module
- Output range adjustment with DIP switch or PC configurator



MODEL: R6N-YS2[1]

ORDERING INFORMATION

- Code number: R6N-YS2[1]
- Specify a code from below for [1].
(e.g. R6N-YS2/Q)
- Specify the specification for option code /Q
(e.g. /C01)

[1] OPTIONS

blank: none

/Q: With options (specify the specification)

SPECIFICATIONS OF OPTION: Q

COATING

/C01: Silicone coating

/C02: Polyurethane coating

RELATED PRODUCTS

- PC configurator software (model: R6CON)
Downloadable at our web site.
A dedicated cable is required to connect the module to the PC. Please refer to the internet software download site or the users manual for the PC configurator for applicable cable types.

PACKAGE INCLUDES...

Resistor for unused output terminals (250Ω, 0.25 W)

GENERAL SPECIFICATIONS

Connection

Internal bus: Via the Installation Base (model: R6N-BS)

Output: M3 screw terminals (torque 0.5 N·m)

Internal power: Via the Installation Base (model: R6N-BS)

Recommended solderless terminal: Max. 5.8 mm (0.23") wide; Ones with insulation sleeve do not fit.

Applicable wire size: 0.2 - 2.5 mm²

Housing material: Flame-resistant resin (black)

Isolation: Output 1 to output 2 to internal bus or internal power

Zero adjustments: PC programming

Span adjustments: PC programming

Module address: Selectable with DIP and rotary switches on the side

Output at the loss of communication: Selectable with the side DIP SW

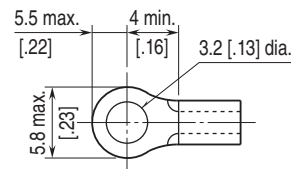
Configuration mode: With DIP switches on the side panel

Power indicator: Green LED; Refer to the instruction manual for details.

Status indicator: Bi-color (red/green) LED;

Refer to the instruction manual for details.

■ Recommended solderless terminal (unit: mm [inch])



OUTPUT SPECIFICATIONS

Overrange output: -15 to +115 %

Output range: 4 - 20 mA DC

Load resistance: 550 Ω max.

INSTALLATION

Current consumption: 45 mA

Operating temperature: -10 to +55°C (14 to 131°F)

Operating humidity: 30 to 90 %RH (non-condensing)

Atmosphere: No corrosive gas or heavy dust

Mounting: Installation Base (model: R6N-BS)

Weight: 60 g (2.1 oz)

PERFORMANCE

Conversion accuracy: ±0.1 %

Data range: 0 - 10000 of the output range

Data allocation: 2

Temp. coefficient: $\pm 0.01 \text{ \%}/^{\circ}\text{C}$ ($\pm 0.006 \text{ \%}/^{\circ}\text{F}$)
 Response time: $\leq 0.25 \text{ sec.}$ (0 - 90 %)
 Line voltage effect: $\pm 0.1 \text{ \%}$ over voltage range
 Insulation resistance: $\geq 100 \text{ M}\Omega$ with 500 V DC
 Dielectric strength: 1500 V AC @ 1 minute (output 1 to output 2 to internal bus or internal power to ground)

STANDARDS & APPROVALS

EU conformity:
 EMC Directive
 EMI EN 61000-6-4
 EMS EN 61000-6-2
 RoHS Directive

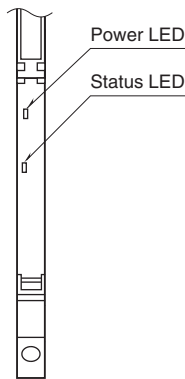
FUNCTIONS

■ OUTPUT HOLD
 The output function in case of a loss of communication is selectable with the side DIP SW: Reset the output (to -15 %), Hold the output (last normally received data) or Fix the output at a specific value (PC programming).
 The output is held at -15 % of the output range until normal data is received at the startup.

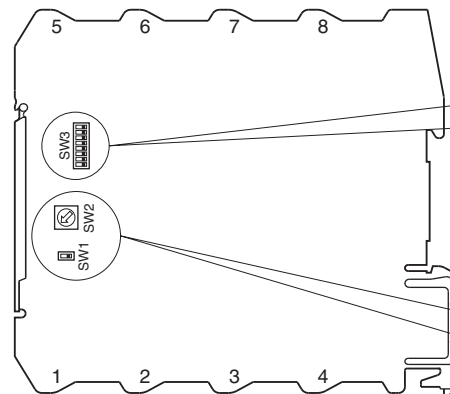
■ OUTPUT WIRE BREAKDOWN DETECTION
 In the case of wire breakdown, output error is detected. Then, the status indicator LED blinks (0.5 seconds per cycle) and the flag of error is set on the PLC etc.
 Note: Wire breakdown detection is applicable with Firmware Version 2.00 or later.

EXTERNAL VIEW

• Front View (cover opened)



• Side View



Operating Mode Setting

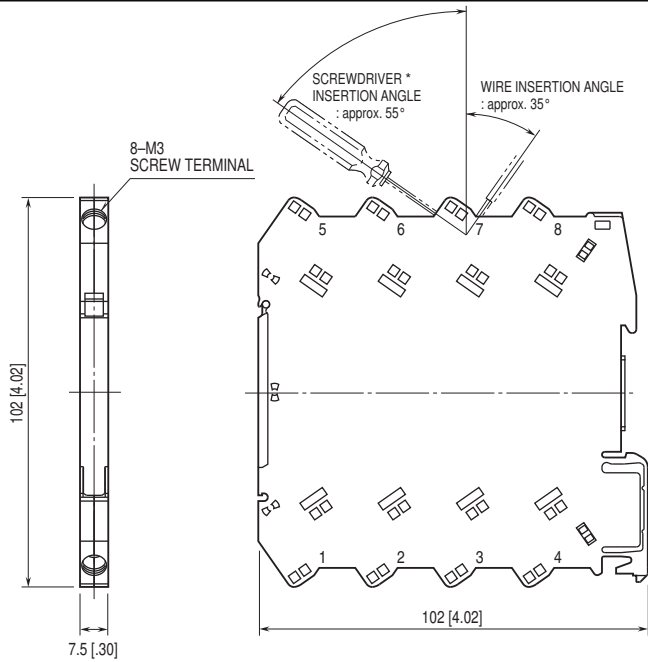


Module Address Setting



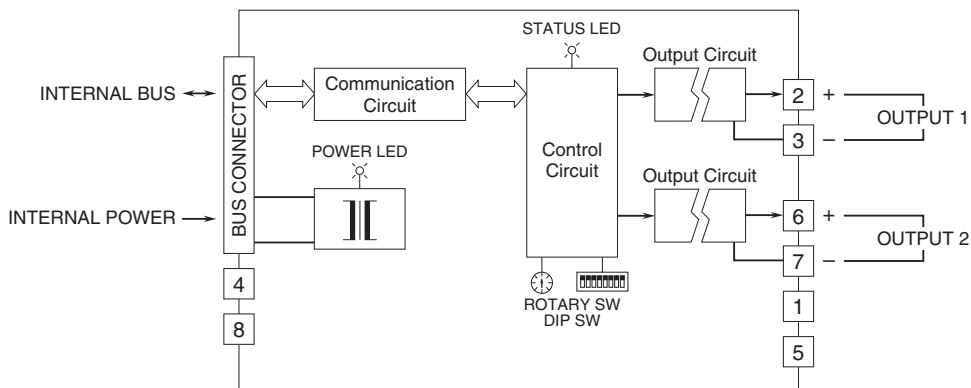
Refer to the instruction manual for setting procedures.

EXTERNAL DIMENSIONS & TERMINAL ASSIGNMENTS unit: mm [inch]



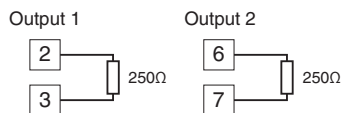
*Screwdriver stem diameter: 6 mm [.24"] or less

SCHEMATIC CIRCUITRY & CONNECTION DIAGRAM



■ UNUSED OUTPUT TERMINALS

Install the attached resistor between the unused output terminals as indicated below.



If unused output terminals are left open, status indicator LED blinks in red (0.5 sec. cycle), and error flags are set in the PLC, etc.

Note: Output wire breakdown detection is applicable with Firmware Version 2.00 or later.



Specifications are subject to change without notice.