

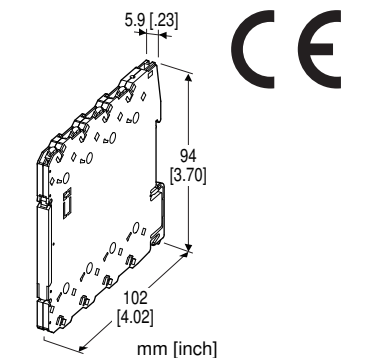
Remote I/O R6 Series

PNP TRANSISTOR OUTPUT MODULE, 4 points

(PNP, Tension clamp)

Functions & Features

- 4-channel discrete output, compact size remote I/O module



MODEL: R6S-DC4B[1]

ORDERING INFORMATION

- Code number: R6S-DC4B[1]

Specify a code from below for [1].

- (e.g. R6S-DC4B/Q)
- Specify the specification for option code /Q (e.g. /C01)

[1] OPTIONS

blank: none

/Q: With options (specify the specification)

SPECIFICATIONS OF OPTION: Q

COATING (For the detail, refer to our web site.)

/C01: Silicone coating

/C02: Polyurethane coating

RELATED PRODUCTS

- PC configurator software (model: R6CON)

Downloadable at our web site.

A dedicated cable is required to connect the module to the PC. Please refer to the internet software download site or the users manual for the PC configurator for applicable cable types.

GENERAL SPECIFICATIONS

Connection

Internal bus: Via the Installation Base (model: R6S-BS)

Output: Tension clamp

(Applicable wire size: 0.2 to 2.5 mm², stripped length 8 mm)

Internal power: Via the Installation Base (model: R6S-BS)

Housing material: Flame-resistant resin (black)

Isolation: Output to internal bus or internal power

Module address: Selectable with DIP and rotary switches on the side

Output at the loss of communication: Selectable with the side DIP SW

Configuration mode: With DIP switches on the side panel

Power indicator: Green LED; Refer to the instruction manual for details.

Status indicator: Bi-color (red/green) LED;

Refer to the instruction manual for details.

Discrete output status indicators: Red LED;

Refer to the instruction manual for details.

OUTPUT

Common: Positive common (PNP) per 4 points

Number of I/O: Output, 4 points

Maximum outputs applicable at once: No limit (at 24 V DC)

Rated load voltage: 24 V DC $\pm 10\%$

Rated output current: 0.25 A per point, 2.0 A per common

Residual voltage: ≤ 1.2 V

Leakage current: ≤ 0.1 mA

ON delay: ≤ 0.5 msec.

OFF delay: ≤ 1.5 msec.

(When driving an inductive load, connect a diode in parallel with the load.)

INSTALLATION

Current consumption: 20 mA

Operating temperature: -10 to +55°C (14 to 131°F)

Operating humidity: 30 to 90 %RH (non-condensing)

Atmosphere: No corrosive gas or heavy dust

Mounting: Installation Base (model: R6S-BS)

Weight: 60 g (2.1 oz)

PERFORMANCE

Data allocation: 1

Insulation resistance: ≥ 100 M Ω with 500 V DC

Dielectric strength: 1500V AC @1 minute

(output to internal bus or internal power to ground)

STANDARDS & APPROVALS

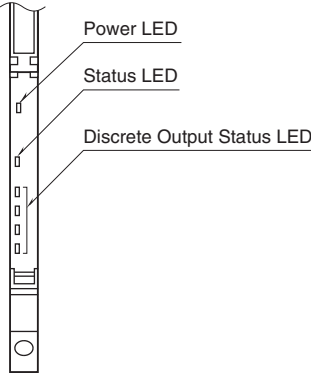
EU conformity:

EMC Directive

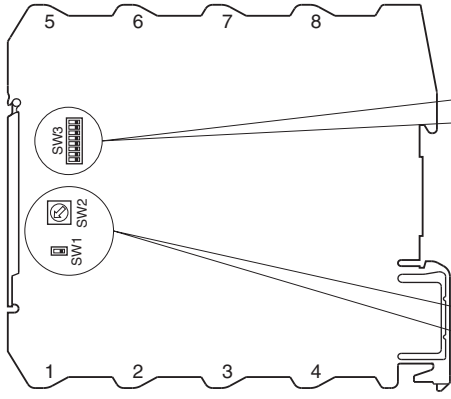
EMI EN 61000-6-4
 EMS EN 61000-6-2
 RoHS Directive

EXTERNAL VIEW

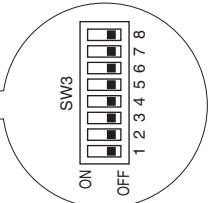
• Front View (cover opened)



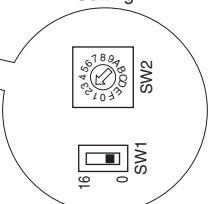
• Side View



Operating Mode Setting

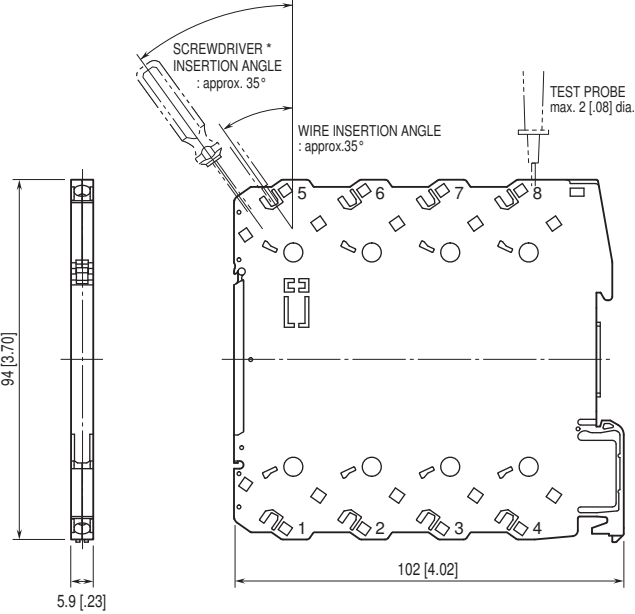


Module Address Setting



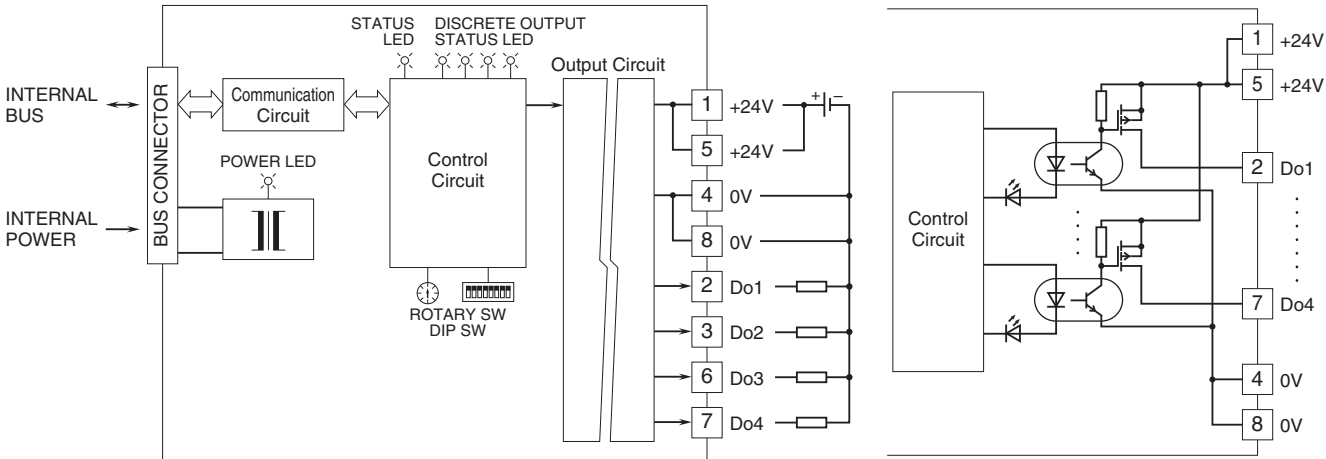
Refer to the instruction manual for setting procedures.


EXTERNAL DIMENSIONS & TERMINAL ASSIGNMENTS unit: mm [inch]



*Use a minus screwdriver: tip width 3.8 mm max., tip thickness 0.5 to 0.6 mm

SCHEMATIC CIRCUITRY & CONNECTION DIAGRAM



 Specifications are subject to change without notice.