

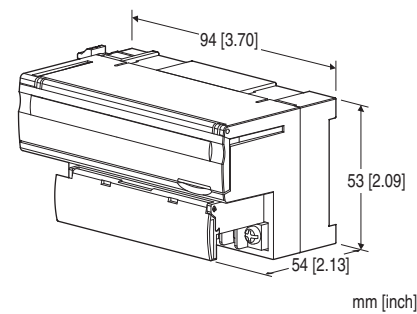
## Remote I/O R7 Series

### DeviceNet® I/O MODULE

(PNP transistor output for extension, 16 points)

#### Functions & Features

- 16 points PNP transistor output extension module connected to DeviceNet I/O module (model: R7D)



### MODEL:R7D-EC16B[1]

#### ORDERING INFORMATION

- Code number: R7D-EC16B[1]
- Specify a code from below for [1].  
(e.g. R7D-EC16B/Q)
- Specify the specification for option code /Q  
(e.g. /C01)

#### I/O TYPE

**EC16B:** PNP transistor output for extension, 16 points

#### [1] OPTIONS

**blank:** none

**/Q:** With options (specify the specification)

#### SPECIFICATIONS OF OPTION: Q

**COATING (For the detail, refer to our web site.)**

**/C01:** Silicone coating

**/C02:** Polyurethane coating

**/C03:** Rubber coating

#### GENERAL SPECIFICATIONS

**Connection:** M3 separable screw terminal (torque 0.5 N·m)

**Solderless terminal:** Refer to the drawing at the end of the section.

**Recommended manufacturer:** Japan Solderless Terminal MFG. Co., Ltd., Nichifu Co., Ltd.

**Applicable wire size:** 0.25 to 1.65 mm<sup>2</sup> (AWG 22 to 16)

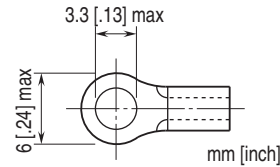
**Screw terminal:** Nickel-plated steel

**Housing material:** Flame-resistant resin (gray)

**Isolation:** Output to internal circuits

**Discrete output status indicator LED:** LED turns on with output ON

#### ■Recommended solderless terminal



#### OUTPUT SPECIFICATIONS

**Common:** Positive common (PNP) per 16 points

**Maximum outputs applicable at once:** No limit (at 24 V DC)

**Rated load voltage:** 24 V DC  $\pm$ 10 %

**Rated output current:** 0.25 A per point, 2.0 A per common

**Residual voltage:**  $\leq$  1.2 V

**Leakage current:**  $\leq$  0.1 mA

**ON delay:**  $\leq$  0.5 msec.

**OFF delay:**  $\leq$  1.5 msec.

(When driving an inductive load, connect a diode in parallel with the load.)

#### INSTALLATION

**Current Consumption:**

Approx. 30 mA @ 24 V DC

Approx. 60 mA @ 11 V DC

**Operating temperature:** -10 to +55°C (14 to 131°F)

**Storage temperature:** -20 to +65°C (-4 to +149°F)

**Operating humidity:** 30 to 90 %RH (non-condensing)

**Atmosphere:** No corrosive gas or heavy dust

**Mounting:** DIN rail (35 mm rail)

**Weight:** 150 g (0.33 lb)

#### PERFORMANCE

**Insulation resistance:**  $\geq$  100 M $\Omega$  with 500 V DC

**Dielectric strength:** 1500 V AC @ 1 minute (output to internal circuits)

#### STANDARDS & APPROVALS

**EU conformity:**

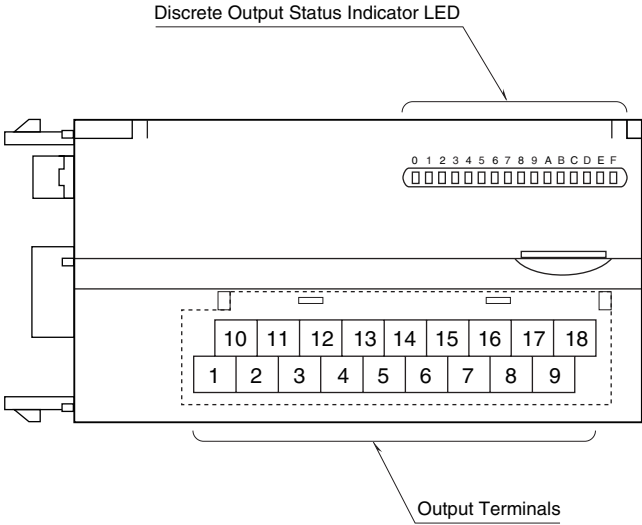
EMC Directive

EMI EN 61000-6-4

EMS EN 61000-6-2

RoHS Directive

**EXTERNAL VIEW**



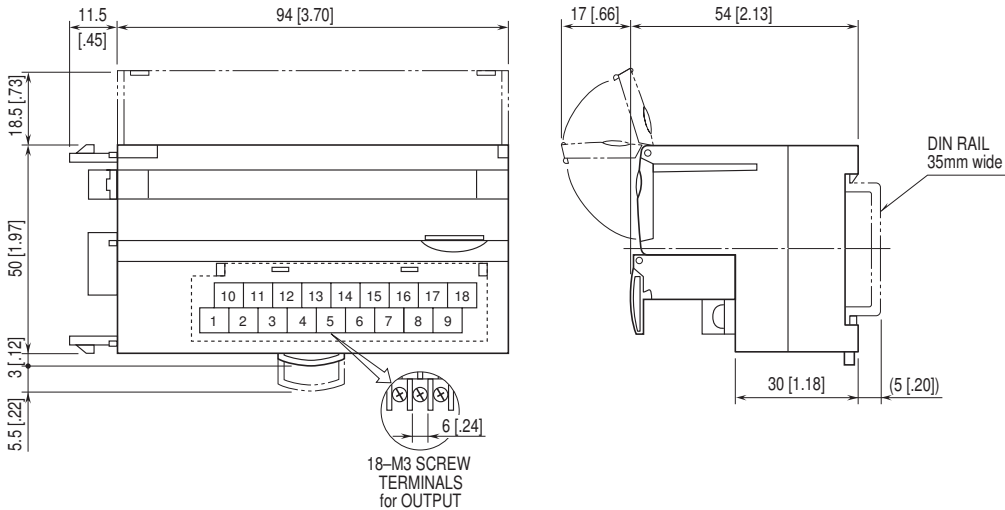
**TERMINAL ASSIGNMENTS**

■ **OUTPUT TERMINAL ASSIGNMENT**

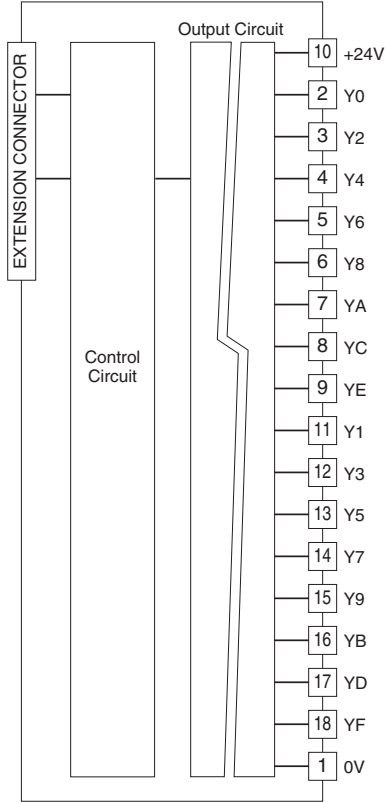
10	11	12	13	14	15	16	17	18
+24V	Y1	Y3	Y5	Y7	Y9	YB	YD	YF
1	2	3	4	5	6	7	8	9
0V	Y0	Y2	Y4	Y6	Y8	YA	YC	YE

NO.	ID	FUNCTION	NO.	ID	FUNCTION
1	0V	0V	10	+24V	24V DC (common)
2	Y0	Output 0	11	Y1	Output 1
3	Y2	Output 2	12	Y3	Output 3
4	Y4	Output 4	13	Y5	Output 5
5	Y6	Output 6	14	Y7	Output 7
6	Y8	Output 8	15	Y9	Output 9
7	YA	Output 10	16	YB	Output 11
8	YC	Output 12	17	YD	Output 13
9	YE	Output 14	18	YF	Output 15

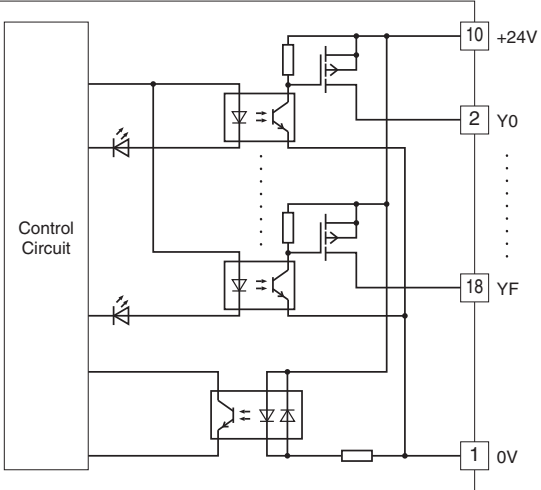
**EXTERNAL DIMENSIONS & TERMINAL ASSIGNMENTS unit: mm [inch]**



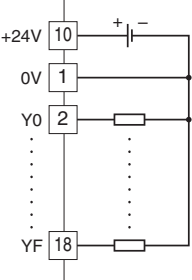
**SCHEMATIC CIRCUITRY & CONNECTION DIAGRAM**



■ Output Circuit



■ Output Connection Example





Specifications are subject to change without notice.