

Remote I/O R7F4D Series

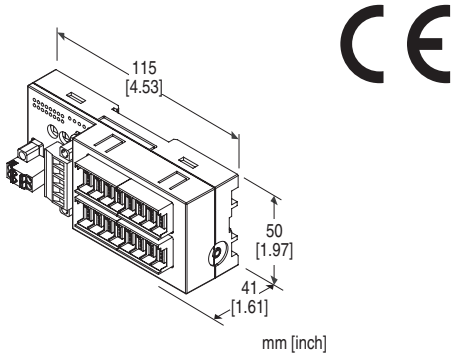
DeviceNet® I/O MODULE

(PNP discrete output, 16 points, e-CON connector)

Functions & Features

- Converts discrete I/O data to the open network fieldbus (DeviceNet)

DeviceNet is registered trademark of ODVA.



MODEL: R7F4DD-DC16B-H[1]

ORDERING INFORMATION

- Code number: R7F4DD-DC16B-H[1]
Specify a code from below for [1].
(e.g. R7F4DD-DC16B-H/Q)
- Specify the specification for option code /Q
(e.g. /C01)

I/O TYPE

DC16B: PNP discrete output, 16 points

TERMINAL BLOCK

H: Euro type connector terminal for communication/power supply
e-CON connector for output

[1] OPTIONS

blank: none

/Q: With options (specify the specification)

SPECIFICATIONS OF OPTION: Q

COATING (For the detail, refer to our web site.)

/C01: Silicone coating

/C02: Polyurethane coating

/C03: Rubber coating

RELATED PRODUCTS

- PC Configurator cable (model: MCN-CON or COP-US)
- PC configurator software (model: R7CFG)
- EDS file

The EDS files and configurator software are downloadable at our web site.

GENERAL SPECIFICATIONS

Connection

Communication/power supply, exc. supply:

Euro type connector terminal

Output: e-CON connector

Housing material: Flame-resistant resin (gray)

Isolation: Output or exc. supply to communication/power supply

Discrete output status indicator LED: Green LED; turns on with output ON

Configurator connection: 2.5 dia. miniature jack

DeviceNet COMMUNICATION

Communication/power supply cable: Approved for DeviceNet

Baud rate setting: 125 kbps, 250 kbps, 500 kbps, auto-tracking (DIP switch, factory default: auto-tracking)
(Refer to the instruction manual.)

Node address setting: 0 - 63 (rotary switch, factory default: 00)

(Refer to the instruction manual.)

Status indicator LEDs: MS, NS

(Refer to the instruction manual for details.)

OUTPUT SPECIFICATIONS

Common: Positive common (PNP) per 16 points

Number of output: 16 points

Maximum outputs applicable at once: No limit (at 24 V DC)

Rated load voltage: 24 V DC $\pm 10\%$, ripple 5 %p-p max., ≤ 1 A (including discrete output load charge); rated current 8 A

Rated output current: 0.1 A per point, 1.6 A per common

Residual voltage: ≤ 1.2 V

Leakage current: ≤ 0.1 mA

ON delay: ≤ 0.2 msec.

OFF delay: ≤ 0.5 msec.

With shortcircuit protection

With overheat protection

(When driving an inductive load, connect a diode in parallel with the load.)

INSTALLATION

Supply voltage: 11 - 25 V DC (supplied from communication/power supply terminal block)

Current consumption:

Approx. 50 mA @ 24 V DC

Approx. 60 mA @ 11 V DC

Operating temperature: -10 to +55°C (14 to 131°F)

Storage temperature: -20 to +65°C (-4 to +149°F)

Operating humidity: 30 to 90 %RH (non-condensing)

Atmosphere: No corrosive gas or heavy dust

Mounting: Surface or DIN rail (35 mm rail)

Weight: 120 g (0.26 lb)

PERFORMANCE

Insulation resistance: $\geq 100 \text{ M}\Omega$ with 500 V DC

Dielectric strength: 1500 V AC @ 1 minute

(output or exc. supply to communication/power supply)

STANDARDS & APPROVALS

EU conformity:

EMC Directive

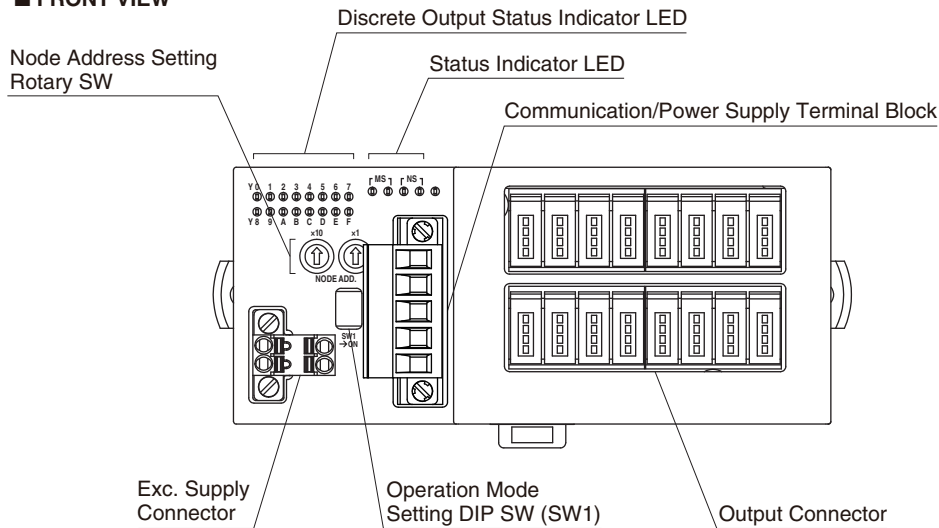
EMI EN 61000-6-4

EMS EN 61000-6-2

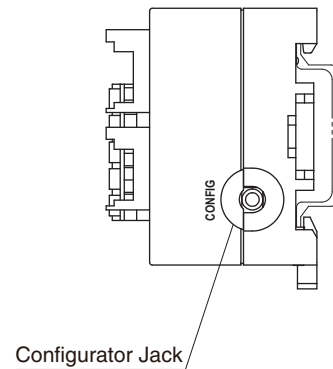
RoHS Directive

EXTERNAL VIEW

FRONT VIEW



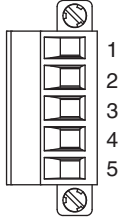
SIDE VIEW



TERMINAL ASSIGNMENTS

■COMMUNICATION/POWER SUPPLY TERMINAL ASSIGNMENT

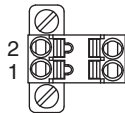
Unit side connector: MSTB2,5/5-GF-5,08AU (Phoenix contact)
 Cable side connector: MSTB2,5/5-STF-5,08AU (Phoenix contact)
 Applicable wire size: 0.2 - 2.5mm²
 Stripped length: 7mm



PIN NO.	COLOR	ID	FUNCTION
1	Red	V+	Communication/power supply (+)
2	White	CAN_H	Network data High
3	–	Drain	Shield
4	Blue	CAN_L	Network data Low
5	Black	V-	Communication/power supply (-)

■EXC. SUPPLY TERMINAL ASSIGNMENT

Unit side connector: MCV1,5/2-GF-3,5 (Phoenix contact)
 Cable side connector: TFMC1,5/2-STF-3,5 (Phoenix contact)
 Applicable wire size: 0.2 - 1.5mm²
 Stripped length: 10mm
 Recommended solderless terminal:
 AI0,25-10YE 0.25mm² (Phoenix contact)
 AI0,34-10TQ 0.34mm² (Phoenix contact)
 AI0,5-10WH 0.5mm² (Phoenix contact)
 AI0,75-10GY 0.75mm² (Phoenix contact)
 AI1-10 1.0mm² (Phoenix contact)
 AI1,5-10 1.5mm² (Phoenix contact)



PIN NO.	ID	FUNCTION
1	SNSR.EXC+	Exc. supply +
2	SNSR.EXC-	Exc. supply -

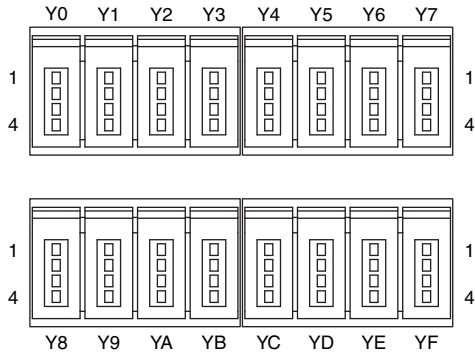
■ OUTPUT TERMINAL ASSIGNMENT

Unit side connector: 37216-62M3-004PL (3M company)

Cable side connector: 37104-()-000FL (3M company)

(The cable connector is not included in the package.)

Specify wire size instead of (); refer to the specifications of the product.)



PIN NO.	ID	FUNCTION	PIN NO.	ID	FUNCTION
Y0	1	NC	Y8	1	NC
	2	NC		2	NC
	3	GND		3	GND
	4	Y0		4	Y8
Y1	1	NC	Y9	1	NC
	2	NC		2	NC
	3	GND		3	GND
	4	Y1		4	Y9
Y2	1	NC	YA	1	NC
	2	NC		2	NC
	3	GND		3	GND
	4	Y2		4	YA
Y3	1	NC	YB	1	NC
	2	NC		2	NC
	3	GND		3	GND
	4	Y3		4	YB
Y4	1	NC	YC	1	NC
	2	NC		2	NC
	3	GND		3	GND
	4	Y4		4	YC
Y5	1	NC	YD	1	NC
	2	NC		2	NC
	3	GND		3	GND
	4	Y5		4	YD
Y6	1	NC	YE	1	NC
	2	NC		2	NC
	3	GND		3	GND
	4	Y6		4	YE
Y7	1	NC	YF	1	NC
	2	NC		2	NC
	3	GND		3	GND
	4	Y7		4	YF

DATA ALLOCATION

'Begin' address is determined by the R7F4DD's node address and the master setting.

■ Without status

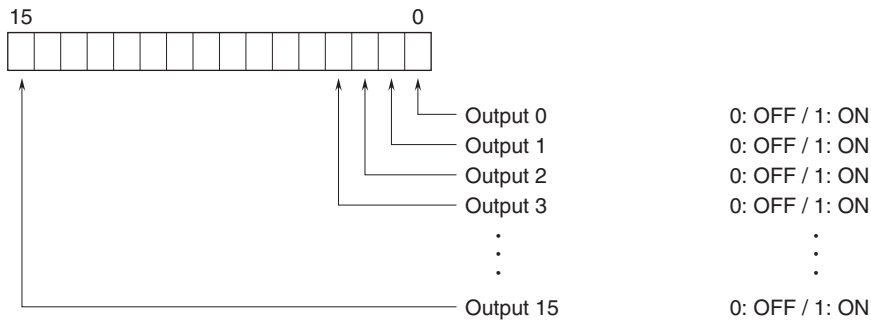


■ With status

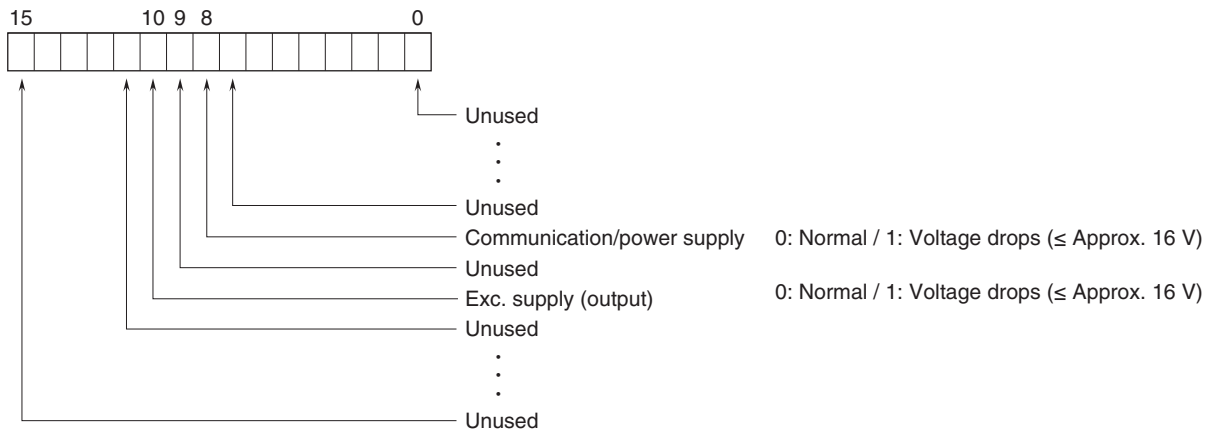


I/O DATA DESCRIPTIONS

■ DISCRETE OUTPUT



■ STATUS



TRANSMISSION DATA DESCRIPTIONS

■ I/O DATA

(Unit: word)

MODEL	OUTPUT DATA* ¹ (R7F4DD to master)	INPUT DATA* ² (master to R7F4DD)
R7F4DD-DC16B	0	1

■ STATUS

Status signal can be included in the transmission data when the SW1-3 is ON.
For details, refer to "STATUS in I/O DATA DESCRIPTIONS:"

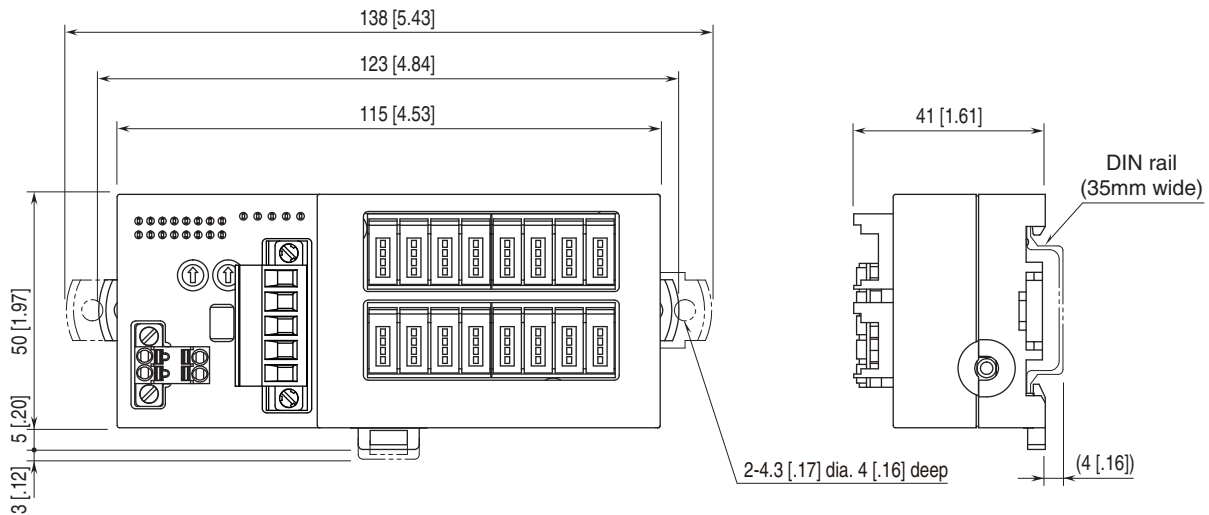
(Unit: word)

STATUS	OUTPUT DATA* ¹ (R7F4DD to master)	INPUT DATA* ² (master to R7F4DD)
With	1	0
Without	0	0

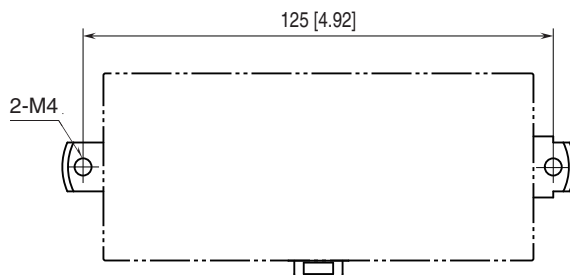
*1. Output Data means those sent to the master.

*2. Input Data means those received from the master.

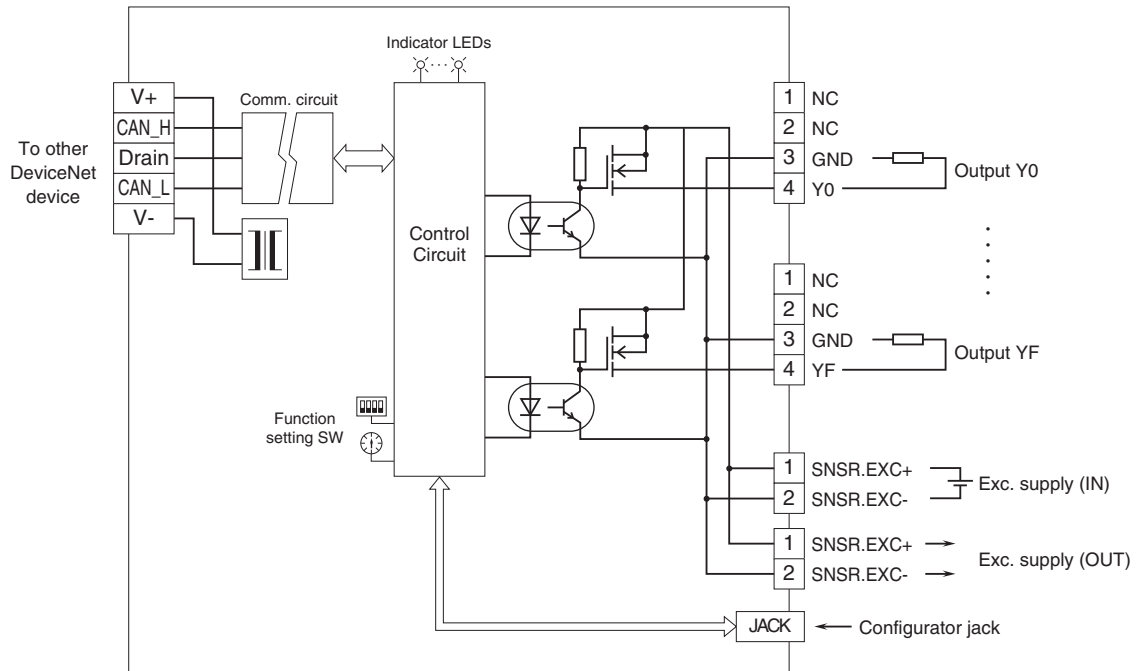
EXTERNAL DIMENSIONS unit: mm [inch]



MOUNTING REQUIREMENTS unit: mm [inch]



SCHEMATIC CIRCUITRY & CONNECTION DIAGRAM



Specifications are subject to change without notice.