

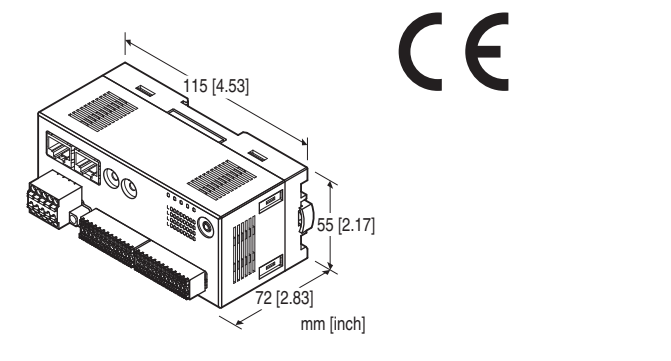
Remote I/O R7F4HEIP Series

EtherNet/IP I/O MODULE

(NPN discrete input, NPN transistor output, 8 points each, tension clamp terminal block)

Functions & Features

- 8 points NPN discrete input, 8 points NPN transistor output module for EtherNet/IP
- Supports DLR (Device Level Ring) to form a ring topology



MODEL: R7F4HEIP-DAC16C-4-R[1]

ORDERING INFORMATION

- Code number: R7F4HEIP-DAC16C-4-R[1]
Specify a code from below for [1].
(e.g. R7F4HEIP-DAC16C-4-R/Q)
- Specify the specification for option code /Q
(e.g. /C01)

I/O TYPE

DAC16C: NPN discrete input &
NPN transistor output, 8 points each

TERMINAL BLOCK

- 4: Tension clamp terminal block for power supply
- RJ-45 Modular jack for communication
- Tension clamp terminal block for I/O
(applicable wire size: 0.14 - 0.5mm²)

POWER INPUT

DC power

R: 24 V DC

(Operational voltage range: ±10 %; ripple 10 %p-p max.)

[1] OPTIONS

blank: none

/Q: With options (specify the specification)

SPECIFICATIONS OF OPTION: Q

COATING (For the detail, refer to our web site.)

/C01: Silicone coating

/C02: Polyurethane coating

/C03: Rubber coating

RELATED PRODUCTS

- PC Configurator cable (model: MCN-CON or COP-US)
- PC configurator software (model: R7CFG)
- EDS file

The EDS files and configurator software are downloadable at our web site.

GENERAL SPECIFICATIONS

Connection

EtherNet/IP: RJ-45 modular jack

Power supply, exc. supply, I/O: Tension clamp terminal

Housing material: Flame-resistant resin (gray)

Isolation: Input or exc. supply to output or exc. supply to EtherNet/IP or FE to power

Output at the loss of communication: Configurable via R7CFG

Status indicator LEDs: PWR, LNK1, LNK2

(Refer to the instruction manual)

Discrete I/O status indicator LED: Green LED turns on with I/O ON

Configurator connection: 2.5 dia. miniature jack

Read rate: Selectable with R7CFG

EtherNet/IP COMMUNICATION

Communication Standard: IEEE 802.3u

Transmission: 10BASE-T, 100BASE-TX

Baud rate: 10/100 Mbps (Auto Negotiation function)

Protocol: EtherNet/IP

Max. number of socket connections: 3

Connection type: Exclusive owner / Listen only / Input only

Transmission media: 10BASE-T (STP, Category 5), 100BASE-TX (STP, Category 5e)

Network topology: Line, star and ring

Max. length of fieldbus segment: 100 meters

IP address: 192.168.0.250 (factory setting);

Only host address in IP address is configurable via rotary switches, the other items via PC configurator software (model: R7CFG)

DLR supported

Port No.: 2222, 44818

I/O data size: One (1) word

Status indicator LEDs: MS, NS (Refer to the instruction manual for details)

INPUT SPECIFICATIONS

Common: Positive common (NPN), 8 points per common
Number of input: 8 points
Maximum inputs applicable at once: No limit (at 24 V DC)
Rated input voltage: 24 V DC $\pm 10\%$; ripple 5 %p-p max.
ON voltage / current: ≥ 15 V DC (X0 to X7 input terminal - +24V) / ≥ 3.5 mA
OFF voltage / current: ≤ 5 V DC (X0 to X7 input terminal - +24V) / ≤ 1.0 mA
Input current: ≤ 5.5 mA per point at 24 V DC
Input resistance: Approx. 4.4 k Ω
ON delay: ≤ 0.2 msec.
OFF delay: ≤ 0.5 msec.

OUTPUT SPECIFICATIONS

Common: Negative common (NPN) per 8 points
Number of output: 8 points
Maximum outputs applicable at once: No limit (at 24 V DC)
Rated load voltage: 24 V DC $\pm 10\%$; ripple 5 %p-p max.
Rated output current: 0.1 A per point, 0.8 A per common
Residual voltage: ≤ 1.2 V
Leakage current: ≤ 0.1 mA
ON delay: ≤ 0.2 msec.
OFF delay: ≤ 0.5 msec.
Overload current protection function: Limits the current value when overcurrent is detected
Overheat protection function: Turns OFF the outputs when overheat is detected
 (When driving an inductive load, connect a diode in parallel with the load.)

INSTALLATION

Current consumption
 •DC: Approx. 70 mA
 (contact I/O load charge is not included)
Operating temperature: -10 to +55°C (14 to 131°F)
Storage temperature: -20 to +65°C (-4 to +149°F)
Operating humidity: 30 to 90 %RH (non-condensing)
Atmosphere: No corrosive gas or heavy dust
Mounting: Surface or DIN rail (35 mm rail)
Weight: 170 g (0.37 lb)

PERFORMANCE

Insulation resistance: ≥ 100 M Ω with 500 V DC
Dielectric strength: 1500 V AC @ 1 minute
 (input or exc. supply to output or exc. supply to EtherNet/IP or FE to power)

STANDARDS & APPROVALS

EU conformity:
 EMC Directive
 EMI EN 61000-6-4
 EMS EN 61000-6-2
 RoHS Directive

PC CONFIGURATOR

The following parameters can be set with using PC Configurator Software (model: R7CFG)
 Refer to the users manual for the R7CFG for detailed operation of the software program.

■ CHANNEL BATCH SETTING

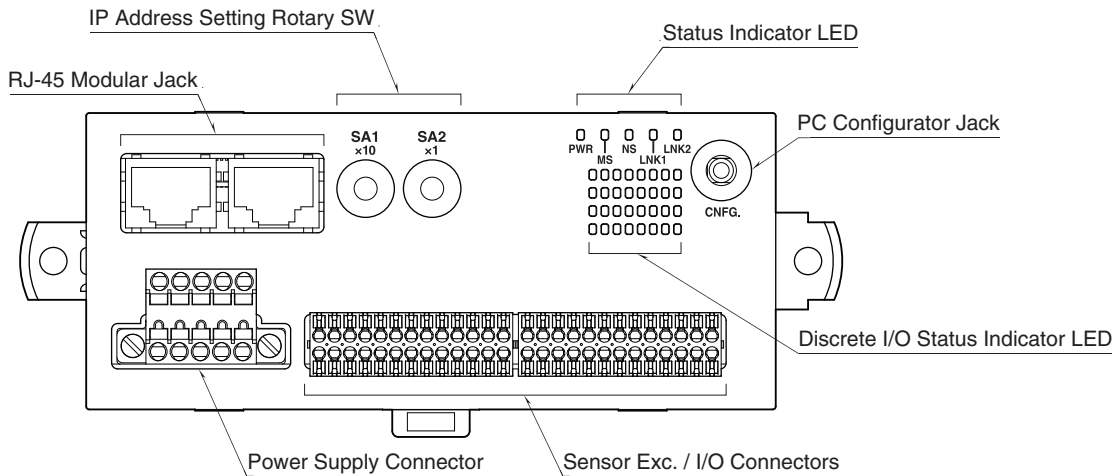
PARAMETER	SETTING RANGE	DEFAULT
Conversion rate	1ms, 5ms, 10ms, 20ms, 50ms, 70ms, 100ms, 200ms	10ms
Output Hold / Clear	Hold / Clear	Hold

■ ETHERNET SETTING

PARAMETER	SETTING RANGE	DEFAULT
IP Address	0.0.0.0 - 255.255.255.255	192.168.0.250
Subnet Mask	0.0.0.0 - 255.255.255.255	255.255.255.0
Default Gateway	0.0.0.0 - 255.255.255.255	192.168.0.1
TimeOut	0 - 32767 (0.1 sec.)	30 (0.1 sec.)

MODEL: R7F4HEIP-DAC16C-4

EXTERNAL VIEW



TERMINAL ASSIGNMENTS

■ SENSOR EXC. / I/O CONNECTION

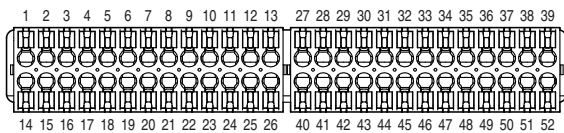
Applicable connector: DFMC0,5/13-ST-2,54 (Phoenix Contact) (included in the package)

Applicable wire size: 0.14 - 0.5mm², stripped length 7mm

Recommended solderless terminal:

- AI0,14-6GY 0.14mm² (Phoenix Contact)
- AI0,14-8GY 0.14mm² (Phoenix Contact)
- AI0,25-6YE 0.25mm² (Phoenix Contact))
- AI0,25-8YE 0.25mm² (Phoenix Contact)
- A0,25-7 0.25mm² (Phoenix Contact)
- A0,34-7 0.34mm² (Phoenix Contact)

Note: If the stripped length does not match the length of recommended solderless terminal, adjust to the stripped length of 7mm by cutting the terminal if it is too long, or by extending the wire if the terminal is too short.



PIN NO.	ID	FUNCTION	PIN NO.	ID	FUNCTION
1	+24V1	24V DC	27	+24V2	24V DC
2	X0	Input 0	28	Y0	Output 0
3	+24V1	24V DC	29	+24V2	24V DC
4	GND1	0V	30	GND2	0V
5	X2	Input 2	31	Y2	Output 2
6	+24V1	24V DC	32	+24V2	24V DC
7	GND1	0V	33	GND2	0V
8	X4	Input 4	34	Y4	Output 4
9	+24V1	24V DC	35	+24V2	24V DC
10	GND1	0V	36	GND2	0V
11	X6	Input 6	37	Y6	Output 6
12	+24V1	24V DC	38	+24V2	24V DC
13	GND1	0V	39	GND2	0V

PIN NO.	ID	FUNCTION	PIN NO.	ID	FUNCTION
14	GND1	0V	40	GND2	0V
15	X1	Input 1	41	Y1	Output 1
16	+24V1	24V DC	42	+24V2	24V DC
17	GND1	0V	43	GND2	0V
18	X3	Input 3	44	Y3	Output 3
19	+24V1	24V DC	45	+24V2	24V DC
20	GND1	0V	46	GND2	0V
21	X5	Input 5	47	Y5	Output 5
22	+24V1	24V DC	48	+24V2	24V DC
23	GND1	0V	49	GND2	0V
24	X7	Input 7	50	Y7	Output 7
25	+24V1	24V DC	51	+24V2	24V DC
26	GND1	0V	52	GND2	0V

MODEL: R7F4HEIP-DAC16C-4

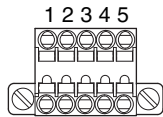
■ POWER SUPPLY TERMINAL ASSIGNMENT

Applicable connector: TFMC1,5 / 5-STF-3,5(Phoenix Contact)
(included in the package)

Applicable wire size: 0.2 – 1.5 mm²; stripped length 10 mm

Recommended solderless terminal

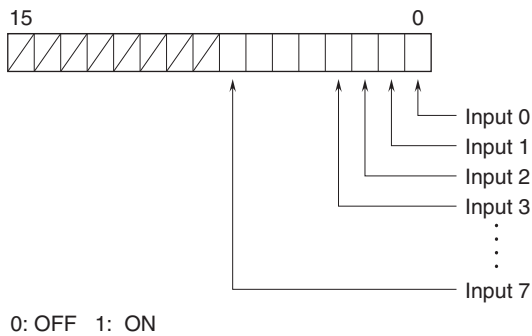
- AI0,25-10YE 0.25 mm² (Phoenix Contact)
- AI0,34-10TQ 0.34 mm² (Phoenix Contact)
- AI0,5-10WH 0.5 mm² (Phoenix Contact)
- AI0,75-10GY 0.75 mm² (Phoenix Contact)
- A1-10 1.0 mm² (Phoenix Contact)
- A1,5-10 1.5 mm² (Phoenix Contact)



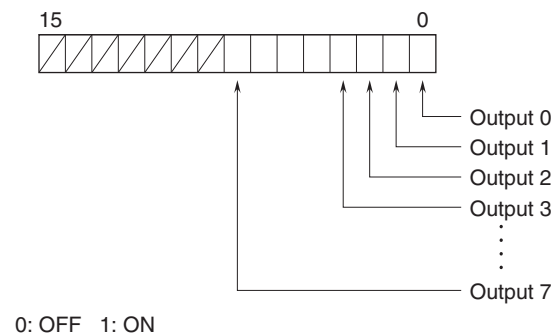
- | | |
|---------|----------------------|
| 1. FE | Functional Earth |
| 2. NC | — |
| 3. NC | — |
| 4. +24V | Power Input (24V DC) |
| 5. 0V | Power Input (0V) |

I/O DATA DESCRIPTIONS

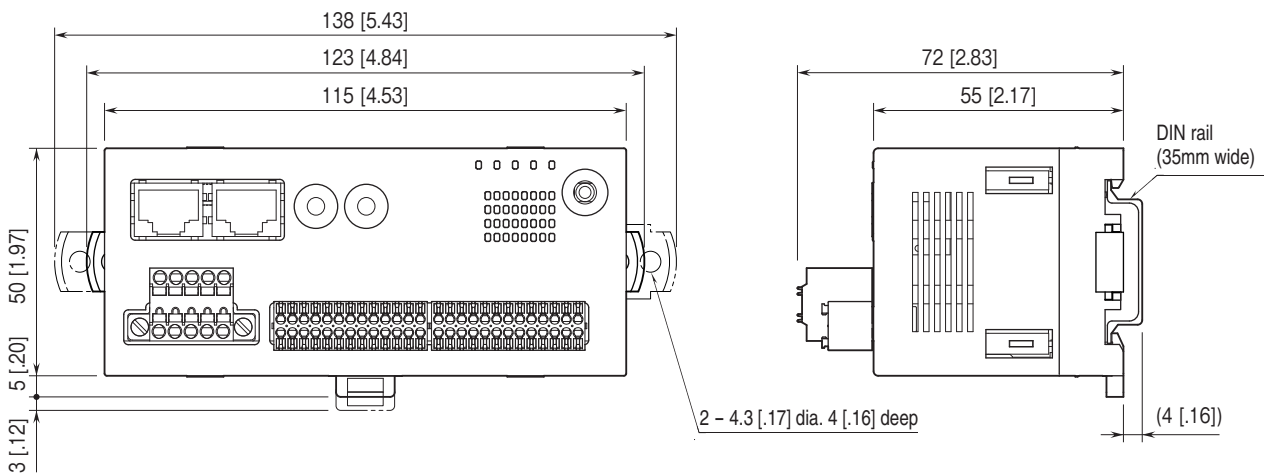
■ DISCRETE INPUT



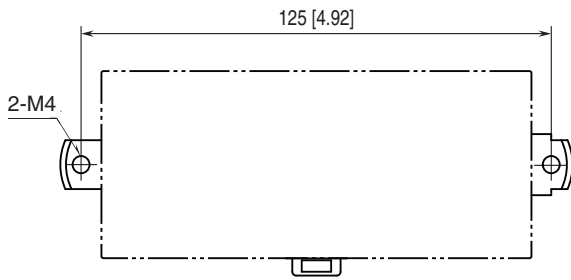
■ DISCRETE OUTPUT



EXTERNAL DIMENSIONS unit: mm [inch]



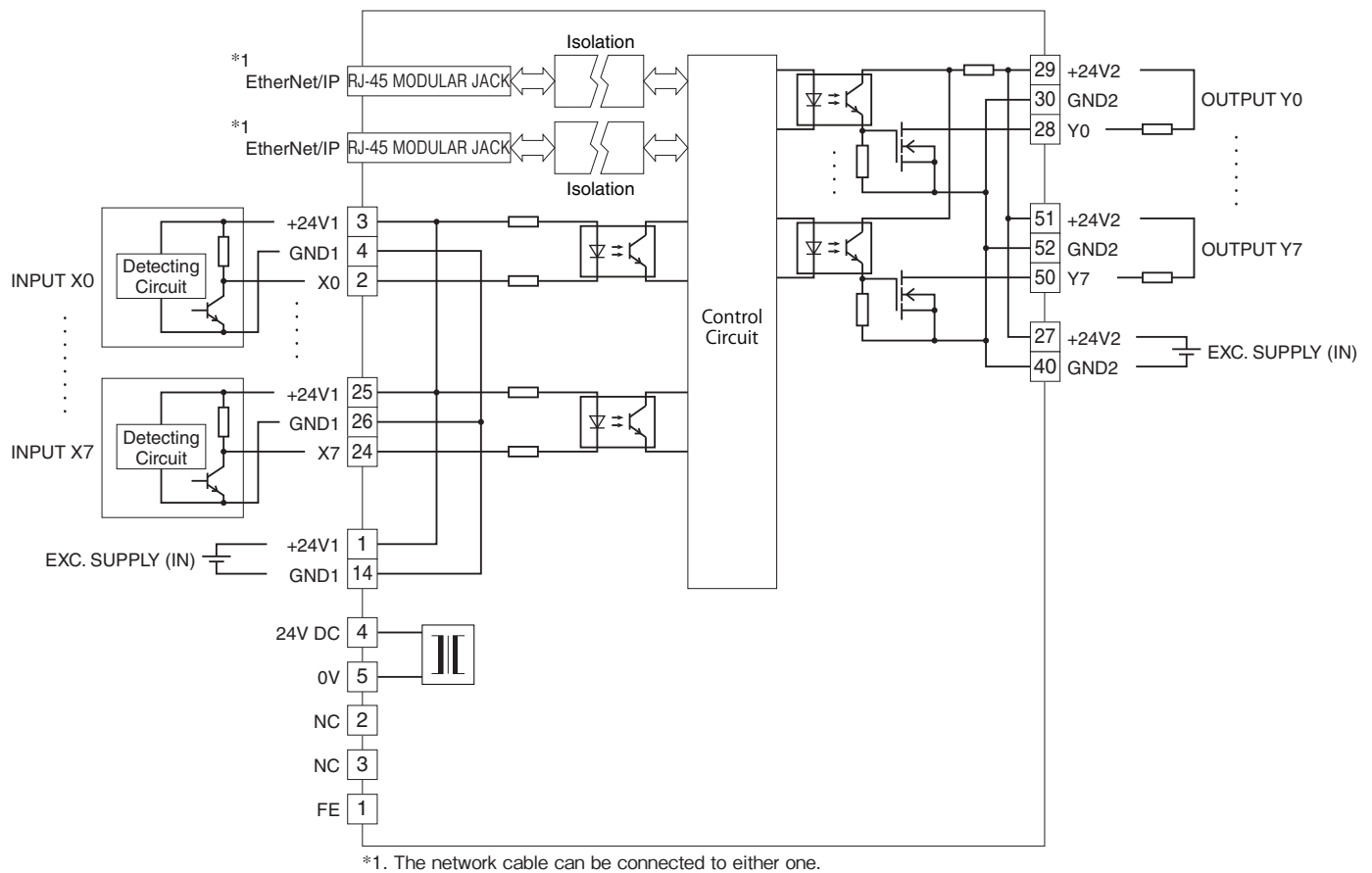
MOUNTING REQUIREMENTS unit: mm [inch]



SCHEMATIC CIRCUITRY & CONNECTION DIAGRAM

Note: In order to improve EMC performance, bond the FE terminal to ground.

Caution: FE terminal is NOT a protective conductor terminal.



Specifications are subject to change without notice.