

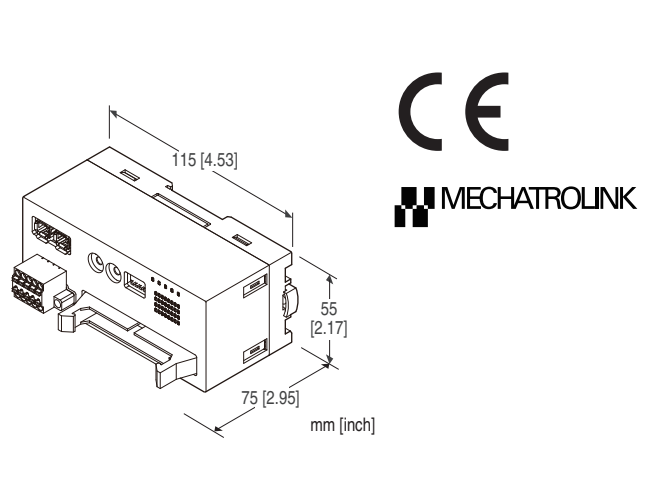
Remote I/O R7F4H Series

MECHATROLINK I/O MODULE

(NPN/PNP discrete input & PNP transistor output, 16 points each, MIL connector, MECHATROLINK-III use)

Functions & Features

- 16 points NPN/PNP discrete input & 16 points PNP transistor output module for MECHATROLINK-III



MODEL: R7F4HML3-D-DAC32B-R[1]

ORDERING INFORMATION

- Code number: R7F4HML3-D-DAC32B-R[1]
Specify a code from below for [1].
(e.g. R7F4HML3-D-DAC32B-R/NR/Q)
- Specify the specification for option code /Q
(e.g. /C01)

TERMINAL BLOCK

D: Tension clamp terminal block for power supply
Connector for MECHATROLINK-III for communication
MIL connector for I/O

I/O TYPE

DAC32B: NPN/PNP discrete input &
PNP transistor output, 16 points each

POWER INPUT

DC power
R: 24 V DC
(Operational voltage range: $\pm 10\%$; ripple 10 %p-p max.)

[1] OPTIONS (multiple selections)

Output data read back
blank: With

/NR: Without

Other Options

blank: none

/Q: Option other than the above (specify the specification)

SPECIFICATIONS OF OPTION: Q

COATING (For the detail, refer to our web site.)

/C01: Silicone coating

/C02: Polyurethane coating

/C03: Rubber coating

GENERAL SPECIFICATIONS

Connection

MECHATROLINK-III: MECHATROLINK-III connector

I/O: MIL connector

Power input: Separable screwless spring terminal

Housing material: Flame-resistant resin (gray)

Isolation: Input to output to MECHATROLINK or FE to power

Output at the loss of communication:

Output hold (*), Output clear

Selectable with the front DIP SW

(* factory default setting)

Status indicator LEDs: PWR, ERR, CON, LNK1, LNK2 (5 LEDs) indicate the module's operating conditions. (Refer to the instruction manual)

Discrete I/O status indicator LED: Green LED turns on with I/O ON

Read rate: 1 / 5 / 10(*) / 20 / 50 / 70 / 100 / 200 msec.

selectable with front DIP SW

(* factory default setting)

MECHATROLINK-III COMMUNICATION

Baud rate: 100 Mbps

Transmission distance: 6300 m max.

Distance between stations: 100 m max.

Transmission media: MECHATROLINK cable (Model JEPMC-W6013-x-E, Yaskawa Controls Co., Ltd.)

Connector: TYCO AMP Industrial mini I/O connector

Max. number of slaves: 62

(The maximum number of slaves might change depending on the master unit. Refer to the manual of the master unit)

Transmission cycle: 125 μ sec., 250 μ sec., 500 μ sec., 1 - 64 msec. (with 1 msec. increments)

Communication cycle: 125 μ sec. through 64 msec.

Applicable profile: Standard I/O profile (cyclic communication)

Event-driven communication acquiring ID profile (event-driven communication)

Transmission bytes: 16 bytes

Station address: 03H through EFH (set with rotary switches)

Cyclic communication: Available

Event-driven communication: Available

Slave monitoring: None

EMI EN 61000-6-4

EMS EN 61000-6-2

RoHS Directive

INPUT SPECIFICATIONS

Common: Positive or negative common (NPN/PNP) per 16 points

Maximum inputs applicable at once: No limit (at 24 V DC)

Rated input voltage: 24 V DC $\pm 10\%$; ripple 5 %p-p max.

ON voltage / current: ≥ 15 V DC (input - COM) / ≥ 3.5 mA

OFF voltage / current: ≤ 5 V DC (input - COM) / ≤ 1 mA

Input current: ≤ 5.5 mA per point at 24 V DC

Input resistance: Approx. 4.4 k Ω

ON delay: ≤ 0.2 msec.

OFF delay: ≤ 0.5 msec.

OUTPUT SPECIFICATIONS

Common: Positive common (PNP) per 16 points

Maximum outputs applicable at once: No limit (at 24 V DC)

Rated load voltage: 24 V DC $\pm 10\%$, ripple 5 %p-p max.

Rated output current: 0.1 A per point, 1.6 A per common

Residual voltage: ≤ 1.2 V

Leakage current: ≤ 0.1 mA

ON delay: ≤ 0.2 msec.

OFF delay: ≤ 0.5 msec.

Overload current protection function: Limits the current value when overcurrent is detected

Overheat protection function: Turns OFF the outputs when overheat is detected

(When driving an inductive load, connect a diode in parallel with the load.)

INSTALLATION

Current consumption

•DC: Approx. 100 mA

Operating temperature: -10 to +55°C (14 to 131°F)

Storage temperature: -20 to +65°C (-4 to +149°F)

Operating humidity: 30 to 90 %RH (non-condensing)

Atmosphere: No corrosive gas or heavy dust

Mounting: Surface or DIN rail (35 mm rail)

Weight: 175 g (0.39 lb)

PERFORMANCE

Insulation resistance: ≥ 100 M Ω with 500 V DC

Dielectric strength: 1500 V AC @ 1 minute (input or output to MECHATROLINK or FE to power input)

500 V AC @ 1 minute (input to output)

STANDARDS & APPROVALS

EU conformity:

EMC Directive

FUNCTIONS

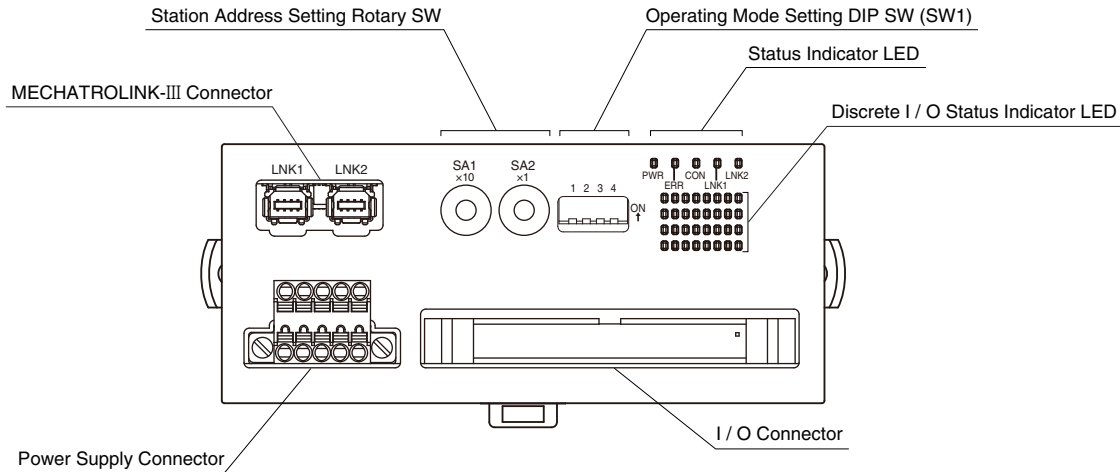
■Output Data Read Back

It is possible to send back by return the receiving output data of the unit to the host on MECHATROLINK-III communication data. Specifying option code for the output data read back to /NR enables to set invalid the output data read back.

(With or without the output data read back, the data allocation of DATA_RWA(20H) command data format is different. Refer to the instruction manual for detailed information.)

MODEL: R7F4HML3-D-DAC32B

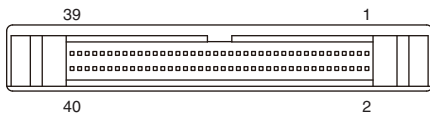
EXTERNAL VIEW



TERMINAL ASSIGNMENTS

I/O TERMINAL ASSIGNMENT

(Refer to the detailed specification for terminal assignment.)
 Recommended cable connector: XG4M-2030 (OMRON)
 The cable connector is not included in the package.



PIN No.	ID	FUNCTION	PIN No.	ID	FUNCTION
1	V+	External excitation	2	V+	External excitation
3	V-	Out. Common	4	V-	Out. Common
5	Y15	Output 15	6	Y7	Output 7
7	Y14	Output 14	8	Y6	Output 6
9	Y13	Output 13	10	Y5	Output 5
11	Y12	Output 12	12	Y4	Output 4
13	Y11	Output 11	14	Y3	Output 3
15	Y10	Output 10	16	Y2	Output 2
17	Y9	Output 9	18	Y1	Output 1
19	Y8	Output 8	20	Y0	Output 0
21	NC	NC	22	NC	NC
23	COM	In. common	24	COM	In. common
25	X15	Input 15	26	X7	Input 7
27	X14	Input 14	28	X6	Input 6
29	X13	Input 13	30	X5	Input 5
31	X12	Input 12	32	X4	Input 4
33	X11	Input 11	34	X3	Input 3
35	X10	Input 10	36	X2	Input 2
37	X9	Input 9	38	X1	Input 1
39	X8	Input 8	40	X0	Input 0

MODEL: R7F4HML3-D-DAC32B

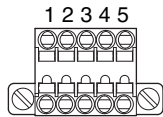
■POWER SUPPLY TERMINAL ASSIGNMENT

Applicable connector: TFMC1,5 / 5-STF-3,5(Phoenix Contact)
(included in the package)

Applicable wire size: 0.2 – 1.5 mm²; stripped length 10 mm

Recommended solderless terminal

- AI0,25-10YE 0.25 mm² (Phoenix Contact)
- AI0,34-10TQ 0.34 mm² (Phoenix Contact)
- AI0,5-10WH 0.5 mm² (Phoenix Contact)
- AI0,75-10GY 0.75 mm² (Phoenix Contact)
- A1-10 1.0 mm² (Phoenix Contact)
- A1,5-10 1.5 mm² (Phoenix Contact)



- | | |
|---------|----------------------|
| 1. FE | Functional Earth |
| 2. NC | — |
| 3. NC | — |
| 4. +24V | Power Input (24V DC) |
| 5. 0V | Power Input (0V) |

MECHATROLINK RELATED COMMANDS

Commands available with this unit are the following.

PROFILE	COMMAND	CODE	FUNCTION
Common command	NOP	00H	No operation command
	ID_RD	03H	Read ID command
	CONFIG	04H	Setup device command
	ALM_RD	05H	Read alarm or warning command
	ALM_CLR	06H	Clear alarm or warning command
	CONNECT	0EH	Establish connection command
	DISCONNECT	0FH	Release connection command
Standard I/O profile	DATA_RWA	20H	Transmit I/O data

RESPONSE TIME

Response time of discrete input module is the time till when the communication ASIC of the module transmits input data from when input signal is applied to the module.

Response time of discrete output module is the time till when the module output the signal from when output data is received by the communication ASIC of the module.

T_{COM} : MECHATROLINK-III transmission cycle set at master
(depends on system and configuration)

T_{INP} : Response of input module \leq Delay of input circuit (T_a , ON delay time or OFF delay time) + Acquire cycle (T_s) + input internal processing delay time (T_c , two transmission cycle)

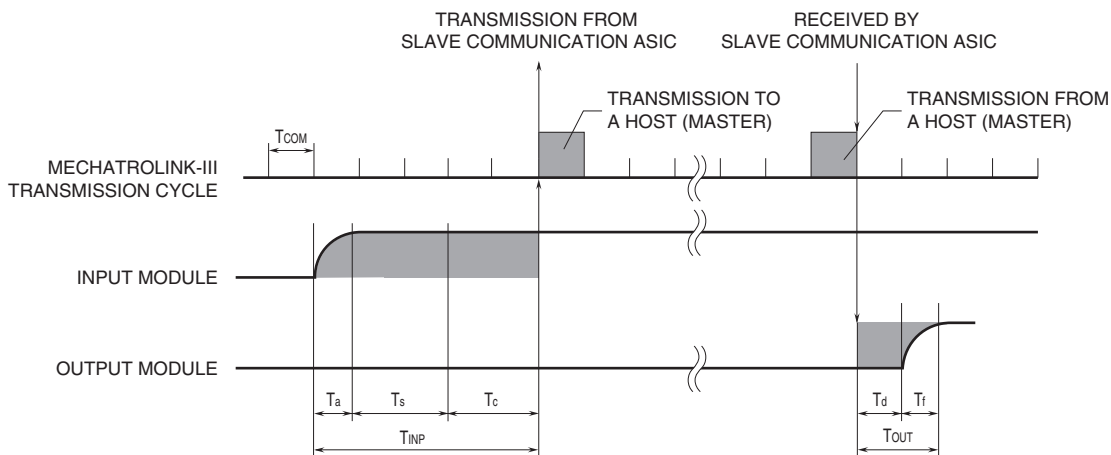
T_{OUT} : Response of output module \leq Output internal processing delay time (T_d , one minimum transmission cycle the unit can handle) + Conversion time (T_e) + Delay of output circuit (T_f , ON delay time or OFF delay time)

E.g. 1: Acquire cycle: 1 msec., MECHATROLINK-III transmission cycle: 0.125 msec., discrete input ON

Response of input module (T_{INP}): Delay of input circuit (0.2 msec.) + Acquire cycle (1 msec.) + input internal processing delay time (0.125 msec. x 2) = 1.45 [msec.]

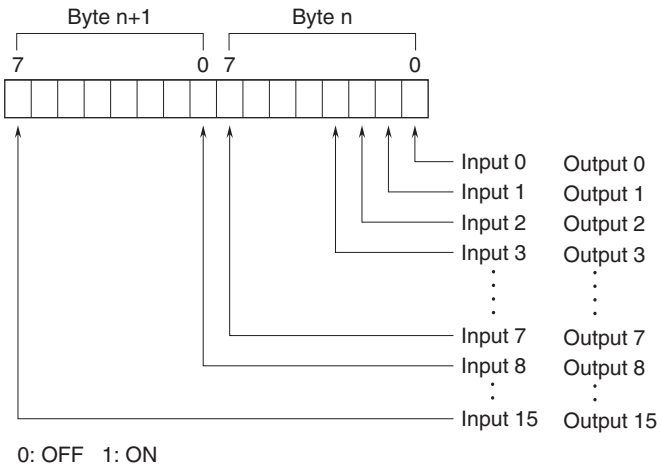
E.g. 2: MECHATROLINK-III transmission cycle: 0.5 msec., discrete output OFF

Response of output module (T_{OUT}): Output internal processing delay time (0.125 msec.) + Delay of output circuit (0.5 msec.) = 0.625 [msec.]

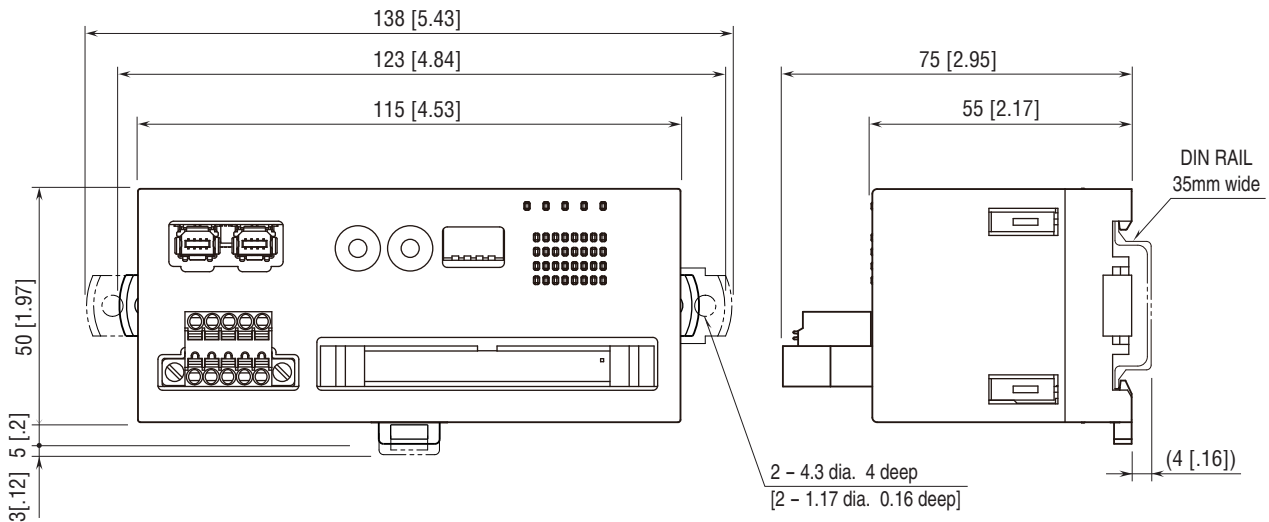


I/O DATA DESCRIPTIONS

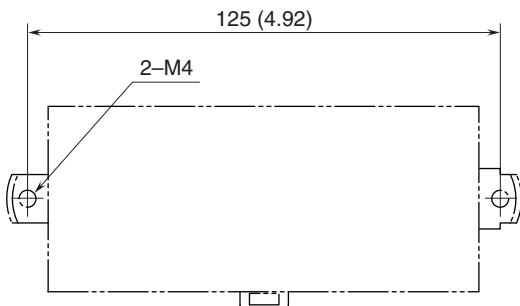
■ DISCRETE I/O



EXTERNAL DIMENSIONS unit: mm [inch]



MOUNTING REQUIREMENTS unit: mm [inch]

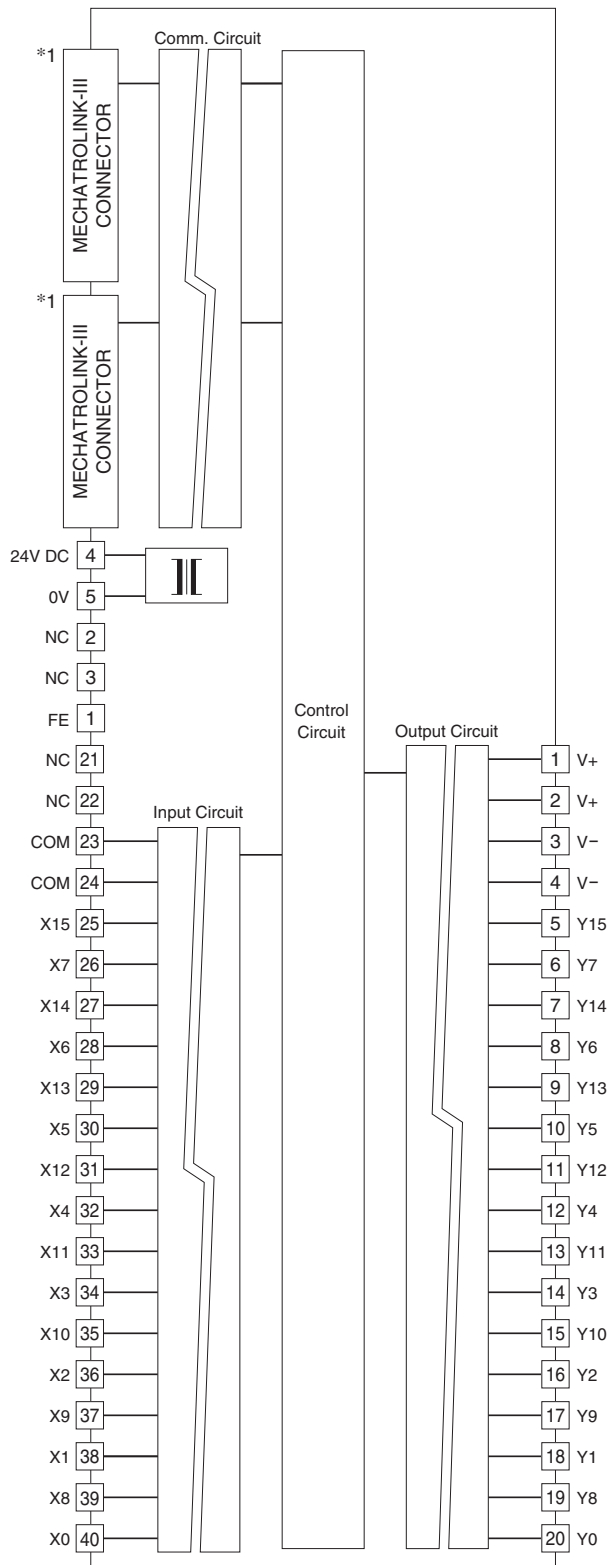


MODEL: R7F4HML3-D-DAC32B

SCHEMATIC CIRCUITRY & CONNECTION DIAGRAM

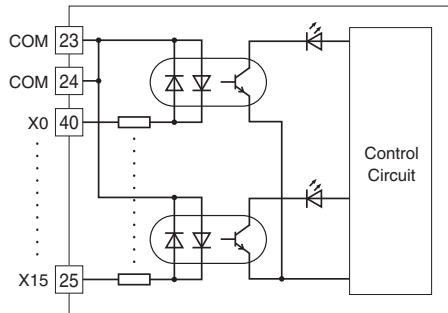
Note: In order to improve EMC performance, bond the FE terminal to ground.

Caution: FE terminal is NOT a protective conductor terminal.

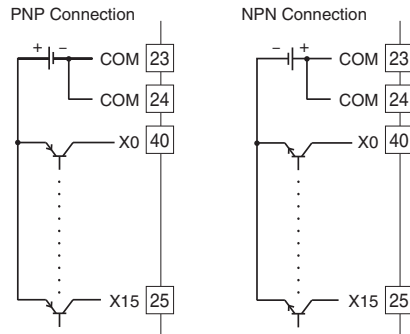


*1. The network cable can be connected to either one.

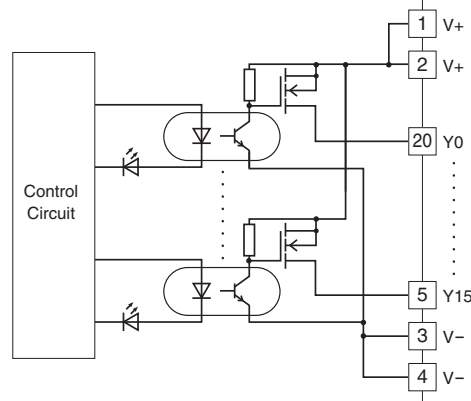
Input Circuit



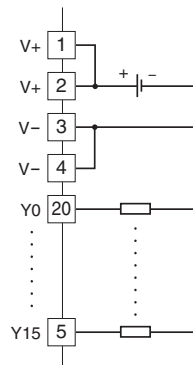
Input Connection Examples



Output Circuit



Output Connection Examples





Specifications are subject to change without notice.