

Remote I/O R7 Series

(No. ESU-7808-DAC16)

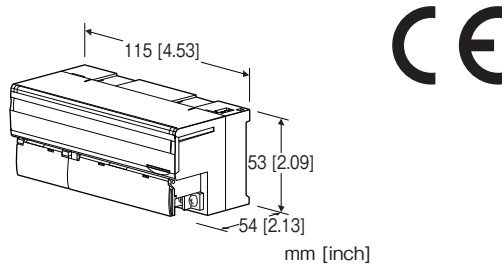
FLEX NETWORK I/O MODULE

(NPN discrete input & PNP transistor output, 8 points each)

Functions & Features

- 8 points NPN discrete input and 8 points PNP transistor output module for FLEX NETWORK

FLEX NETWORK is registered trademark of Digital Electronics Corporation in Japan.



MODEL:R7FN-DAC16B-R[1]

ORDERING INFORMATION

- Code number: R7FN-DAC16B-R[1]
- Specify a code from below for [1].
(e.g. R7FN-DAC16B-R/Q)
- Specify the specification for option code /Q
(e.g. /C01/SET)

I/O TYPE

DAC16B: NPN discrete input & PNP transistor output, 8 points each

POWER INPUT

DC Power
R: 24 V DC
 (Operational voltage range 24 V \pm 10 %, ripple 10 %p-p max.)

[1] OPTIONS

blank: none
/Q: Options other than the above (specify the specification)

SPECIFICATIONS OF OPTION: Q (multiple selections)

COATING (For the detail, refer to our web site.)
/C01: Silicone coating
/C02: Polyurethane coating
/C03: Rubber coating
 EX-FACTORY SETTING
/SET: Preset according to the Ordering Information Sheet

GENERAL SPECIFICATIONS

Connection: M3 separable screw terminal (torque 0.5 N·m)
Solderless terminal: Refer to the drawing at the end of the section.

- **Communication cable**
Recommended manufacture: Japan Solderless Terminal MFG.Co.Ltd

Applicable wire size: 0.2 to 0.5 mm² (AWG 26 to 22)

- **Others**

Recommended manufacture: Japan solderless terminal MFG.Co.Ltd, Nichifu Co.,Ltd

Applicable wire size: 0.25 to 1.65 mm² (AWG 22 to 16)

Screw terminal: Nickel-plated steel

Housing material: Flame-resistant resin (gray)

Isolation: I/O to FLEX NETWORK to power to FG

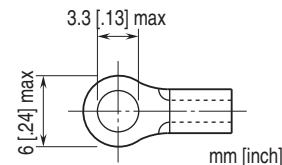
Output at the loss of communication:

Output hold (*), Output clear
 Selectable with the front DIP SW
 (*) factory default setting

Status indicator LED: PWR, RUN
 (Refer to the instruction manual)

Discrete I/O status indicator LED: LED turns on with I/O ON

■ Recommended solderless terminal



FLEX NETWORK COMMUNICATION

Communication configuration: 1: N

Connection method: Multi-drop Connection

Communication method: Cyclic Time Division, half-duplex

Communication I/F: Differential, pulse transfer isolation

Error Check: Format, bit, CRC-12 verification

Max. Number of Nodes: 63 (1008 I/O points)

Required node: 1

Network cable: Pro-face's following cable

FN-CABLE2010-31-MS (10 m)

FN-CABLE2050-31-MS (50 m)

FN-CABLE2200-31-MS (200 m)

Transmission distance: 12 Mbps: 100 meters (328 ft) (*)

6 Mbps: 200 meters (656 ft)

(*) Factory default setting

Station address: Rotary switch

(Refer to the instruction manual)

Terminating resistor: Built-in

INPUT SPECIFICATIONS

Common: Positive common (NPN) per 8 points
Maximum inputs applicable at once: No limit (at 24 V DC)
Rated input voltage: 24 V DC $\pm 10\%$; ripple 5 %p-p max.
ON voltage / current: ≥ 15 V DC (X0 through X7 to COM) / ≥ 3.5 mA
OFF voltage / current: ≤ 5 V DC (X0 through X7 to COM) / ≤ 1 mA
Input current: ≤ 5.5 mA per point at 24 V DC
Input resistance: Approx. 4.4 k Ω
ON delay: ≤ 2.0 msec.
OFF delay: ≤ 2.0 msec.

OUTPUT SPECIFICATIONS

Common: Positive common (PNP) per 8 points
Maximum outputs applicable at once: No limit (at 24 V DC)
Rated load voltage: 24 V DC $\pm 10\%$
Rated output current: 0.25 A per point, 2.0 A per common
Residual voltage: ≤ 1.2 V
Leakage current: ≤ 0.1 mA
ON delay: ≤ 0.5 msec.
OFF delay: ≤ 1.5 msec.
(When driving an inductive load, connect a diode in parallel with the load.)

INSTALLATION

Current consumption
•DC: Approx. 50 mA
Operating temperature: -10 to +55°C (14 to 131°F)
Storage temperature: -20 to +65°C (-4 to +149°F)
Operating humidity: 30 to 90 %RH (non-condensing)
Atmosphere: No corrosive gas or heavy dust
Mounting: DIN rail (35 mm rail)
Weight: 200 g (0.44 lb)

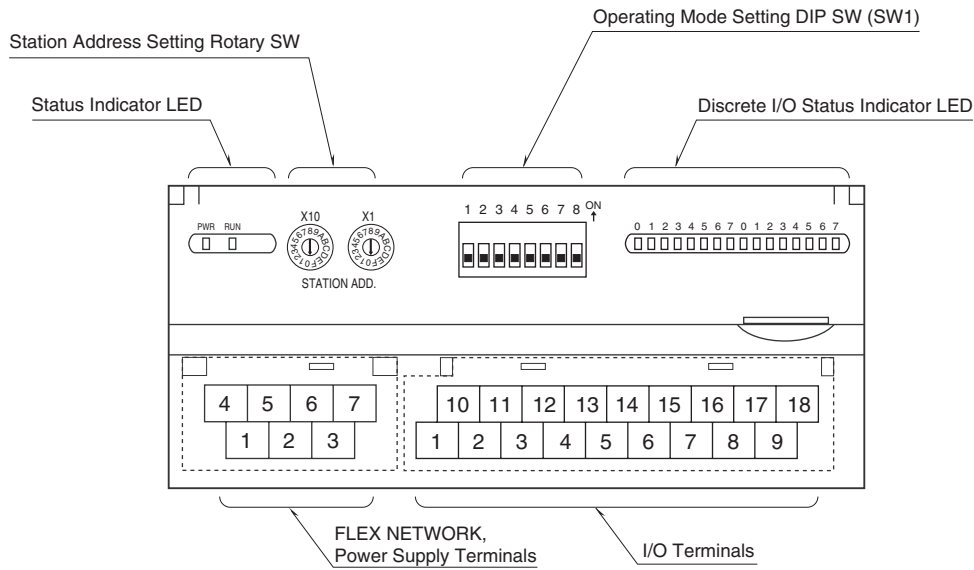
PERFORMANCE

Insulation resistance: ≥ 100 M Ω with 500 V DC
Dielectric strength: 1500 V AC @ 1 minute (I/O to FLEX NETWORK to power to FG)

STANDARDS & APPROVALS

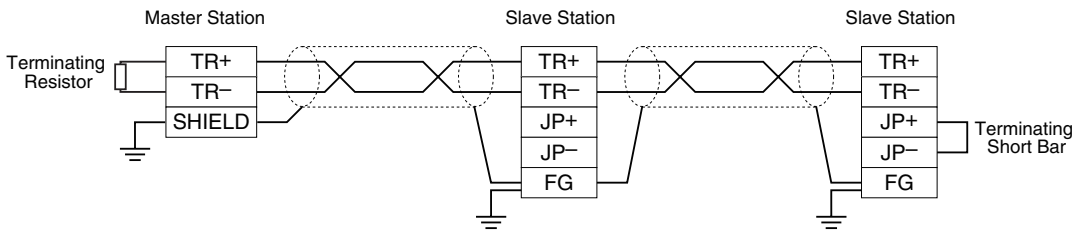
EU conformity:
EMC Directive
EMI EN 61000-6-4
EMS EN 61000-6-2
RoHS Directive

EXTERNAL VIEW



CONNECTION DIAGRAMS

■ MASTER CONNECTION



Note: Be sure to use the terminator(s) located at both ends of the modules.

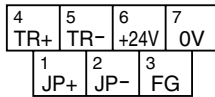
TERMINAL ASSIGNMENTS

■ I/O TERMINAL ASSIGNMENT

10	11	12	13	14	15	16	17	18
+24V	X1	X3	X5	X7	Y1	Y3	Y5	Y7
1	2	3	4	5	6	7	8	9
COM	X0	X2	X4	X6	Y0	Y2	Y4	Y6

NO.	ID	FUNCTION	NO.	ID	FUNCTION
1	COM	Common	10	+24V	24V DC
2	X0	Input 0	11	X1	Input 1
3	X2	Input 2	12	X3	Input 3
4	X4	Input 4	13	X5	Input 5
5	X6	Input 6	14	X7	Input 7
6	Y0	Output 0	15	Y1	Output 1
7	Y2	Output 2	16	Y3	Output 3
8	Y4	Output 4	17	Y5	Output 5
9	Y6	Output 6	18	Y7	Output 7

■ NETWORK, POWER SUPPLY TERMINAL ASSIGNMENT

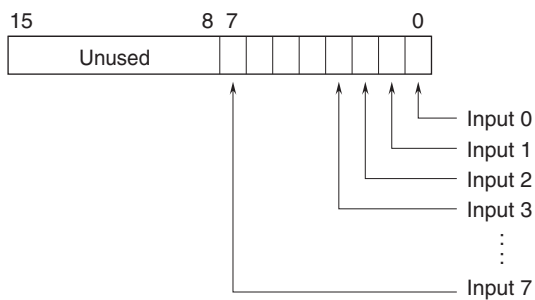


NO.	ID	FUNCTION, NOTES
1	JP+	Terminating resistor
2	JP-	Terminating resistor
3	FG	FG
4	TR+	Network
5	TR-	Network
6	+24V	Power input (24V DC)
7	0V	Power input (0V)

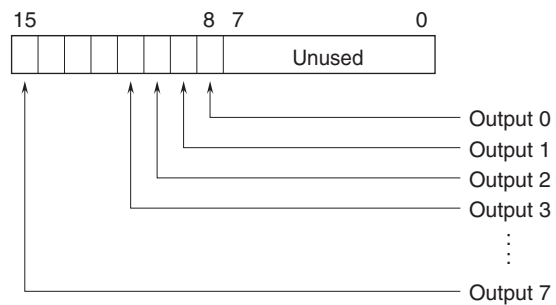
I/O DATA DESCRIPTIONS

■ DISCRETE I/O

• Di

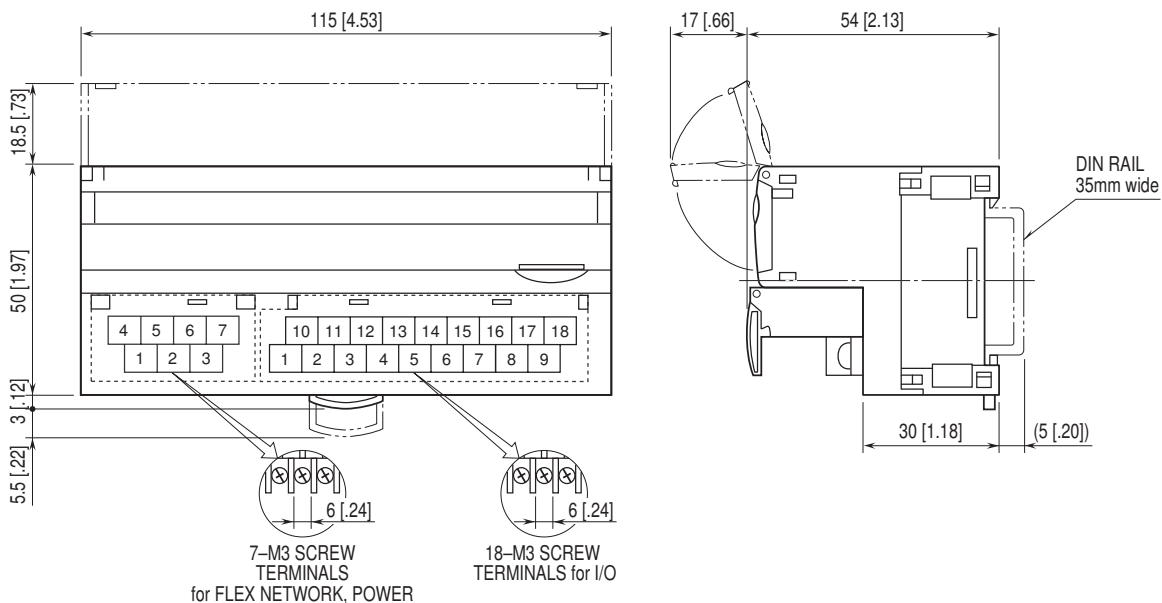


• Do



0: OFF
1: ON

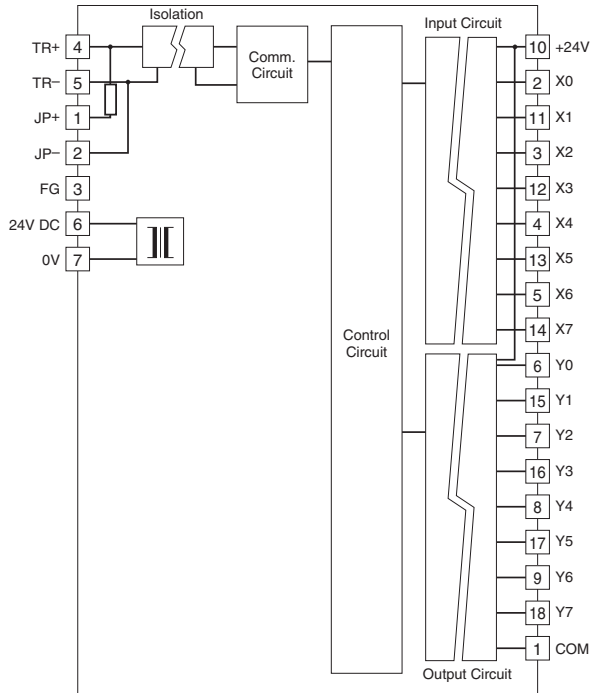
EXTERNAL DIMENSIONS & TERMINAL ASSIGNMENTS unit: mm [inch]



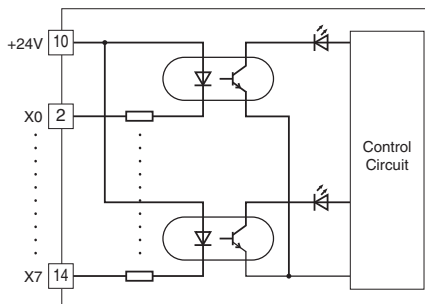
SCHEMATIC CIRCUITRY & CONNECTION DIAGRAM

Note: In order to improve EMC performance, bond the FG terminal to ground.

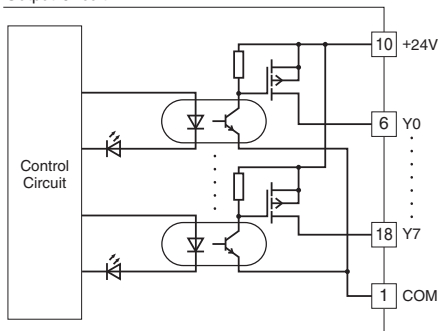
Caution: FG terminal is NOT a protective conductor terminal.



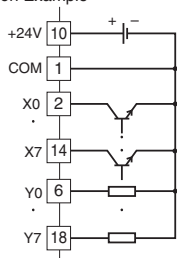
■ Input Circuit



■ Output Circuit



■ I/O Connection Example





Specifications are subject to change without notice.