

MODEL: R7G4HEIP-6-DC16B

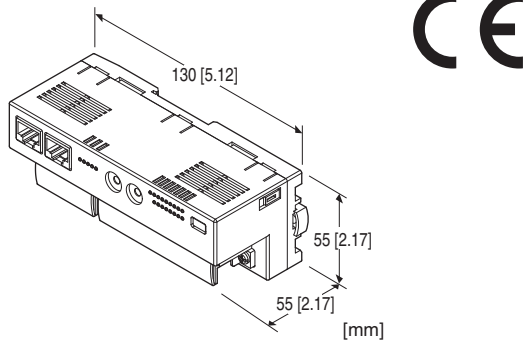
Remote I/O R7G4H Series

EtherNet/IP I/O MODULE

(PNP transistor output, 16 points, screw terminal block)

Functions & Features

- 16 points PNP transistor output module for EtherNet/IP
- Supports DLR (Device Level Ring) to form a ring topology



MODEL: R7G4HEIP-6-DC16B-R[1]

ORDERING INFORMATION

- Code number: R7G4HEIP-6-DC16B-R[1]
Specify a code from below for [1].
(e.g. R7G4HEIP-6-DC16B-R/Q)
- Specify the specification for option code /Q
(e.g. /C01)

TERMINAL BLOCK

- 6: Screw terminal block for power supply
- RJ-45 Modular jack for communication
- Screw terminal block for I/O

I/O TYPE

DC16B: PNP transistor output, 16 points

POWER INPUT

DC power
R: 24 V DC
(Operational voltage range: $\pm 10\%$; ripple 10 %p-p max.)

[1] OPTIONS

blank: none
/Q: With options (specify the specification)

SPECIFICATIONS OF OPTION: Q

COATING (For the detail, refer to our web site.)
/C01: Silicone coating

/C02: Polyurethane coating

/C03: Rubber coating

RELATED PRODUCTS

- PC configurator software (model: R7CFG)
- EDS file

The EDS files and configurator software are downloadable at our web site.

For connecting to PC, use commercially available Mini-B type USB cable. (provided by user)

GENERAL SPECIFICATIONS

Connection

EtherNet/IP: RJ-45 Modular Jack

Power input, output: M3 separable screw terminal (torque 0.5 N·m)

Solderless terminal: Refer to the drawing at the end of the section.

Recommended manufacturer: Japan Solderless Terminal MFG.Co.Ltd, Nichifu Co.,Ltd

Applicable wire size: 0.25 to 1.65 mm² (AWG 22 to 16)

Screw terminal: Nickel-plated steel

Housing material: Flame-resistant resin (gray)

Isolation: Output to EtherNet/IP or FE to power

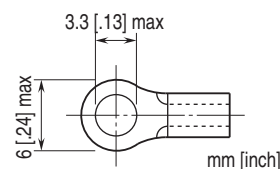
Output at the loss of communication: Configurable via R7CFG

Status indicator LED: PWR, RUN

(Refer to the instruction manual)

Discrete output status indicator LED: Green LED turns on with output ON

■ Recommended solderless terminal



EtherNet/IP COMMUNICATION

Communication Standard: IEEE 802.3u

Transmission: 10BASE-T, 100BASE-TX

Baud rate: 10/100 Mbps (Auto Negotiation function)

Protocol: EtherNet/IP

Max. number of socket connections: 3

Connection type: Exclusive owner / Listen only / Input only

Transmission media: 10BASE-T (STP, Category 5), 100BASE-TX (STP, Category 5e)

Network topology: Line, star and ring

Max. length of fieldbus segment: 100 meters

IP address: 192.168.0.250 (factory setting);

Only host address in IP address is configurable via rotary

MODEL: R7G4HEIP-6-DC16B

switches, the other items via PC configurator software (model: R7CFG).

DLR supported

Port No.: 2222, 44818

I/O data size: One (1) word

Status indicator LEDs: MS, NS (Refer to the instruction manual for details)

OUTPUT SPECIFICATIONS

Common: Positive common (PNP) per 16 points

Maximum outputs applicable at once: No limit (at 24 V DC)

Rated load voltage: 24 V DC $\pm 10\%$, ripple 5 %p-p max.

Rated output current: 0.1 A per point, 1.6 A per common

Residual voltage: ≤ 1.2 V

Leakage current: ≤ 0.1 mA

ON delay: ≤ 0.2 msec.

OFF delay: ≤ 0.5 msec.

Overload current protection function: Limits the current value when overcurrent is detected

Overheat protection function: Turns OFF the outputs when overheat is detected

(When driving an inductive load, connect a diode in parallel with the load.)

INSTALLATION

Current consumption

•DC: Approx. 50 mA

Operating temperature: -10 to +55°C (14 to 131°F)

Storage temperature: -20 to +65°C (-4 to +149°F)

Operating humidity: 30 to 90 %RH (non-condensing)

Atmosphere: No corrosive gas or heavy dust

Mounting: Surface or DIN rail (35 mm rail)

Weight: 200 g (0.44 lb)

PERFORMANCE

Insulation resistance: ≥ 100 M Ω with 500 V DC

Dielectric strength: 1500 V AC @ 1 minute

(output to EtherNet/IP or FE to power)

STANDARDS & APPROVALS

EU conformity:

EMC Directive

EMI EN 61000-6-4

EMS EN 61000-6-2

RoHS Directive

PC CONFIGURATOR

The following parameters can be set with using PC Configurator Software (model: R7CFG)

Refer to the users manual for the R7CFG for detailed operation of the software program.

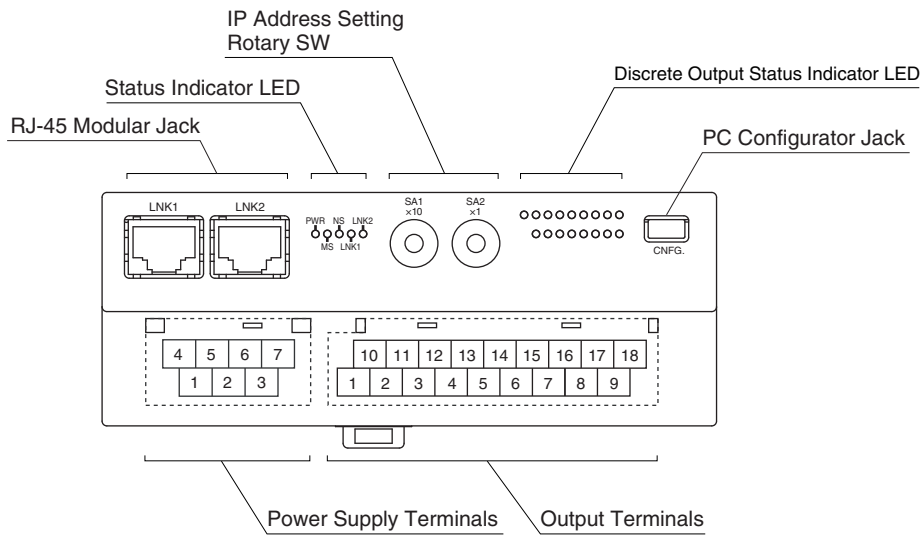
■ CHANNEL BATCH SETTING

PARAMETER	SETTING RANGE	DEFAULT SETTING
Output Hold / Clear	Hold / Clear	Hold

■ EtherNet SETTING

PARAMETER	SETTING RANGE	DEFAULT SETTING
IP Address	0.0.0.0 - 255.255.255.255	192.168.0.250
Subnet Mask	0.0.0.0 - 255.255.255.255	255.255.255.0
Default Gateway	0.0.0.0 - 255.255.255.255	192.168.0.1
Time Out	0.0 - 3276.7 (sec.)	3.0 (sec.)
Use IP Address	DHCP / CONFIG	CONFIG

EXTERNAL VIEW



TERMINAL ASSIGNMENTS

OUTPUT TERMINAL ASSIGNMENT

10	11	12	13	14	15	16	17	18
V+	Y1	Y3	Y5	Y7	Y9	Y11	Y13	Y15
1	2	3	4	5	6	7	8	9
V-	Y0	Y2	Y4	Y6	Y8	Y10	Y12	Y14

NO.	ID	FUNCTION	NO.	ID	FUNCTION
1	V-	0V	10	V+	24V DC (Out. Common)
2	Y0	Output 0	11	Y1	Output 1
3	Y2	Output 2	12	Y3	Output 3
4	Y4	Output 4	13	Y5	Output 5
5	Y6	Output 6	14	Y7	Output 7
6	Y8	Output 8	15	Y9	Output 9
7	Y10	Output 10	16	Y11	Output 11
8	Y12	Output 12	17	Y13	Output 13
9	Y14	Output 14	18	Y15	Output 15

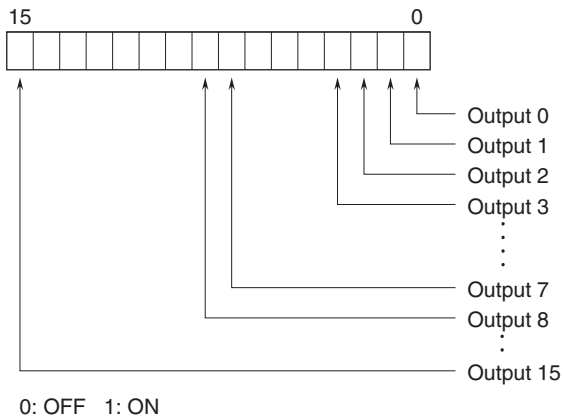
POWER SUPPLY TERMINAL ASSIGNMENT

4	5	6	7
NC	NC	+24V	0V
1	2	3	
NC	NC	FE	

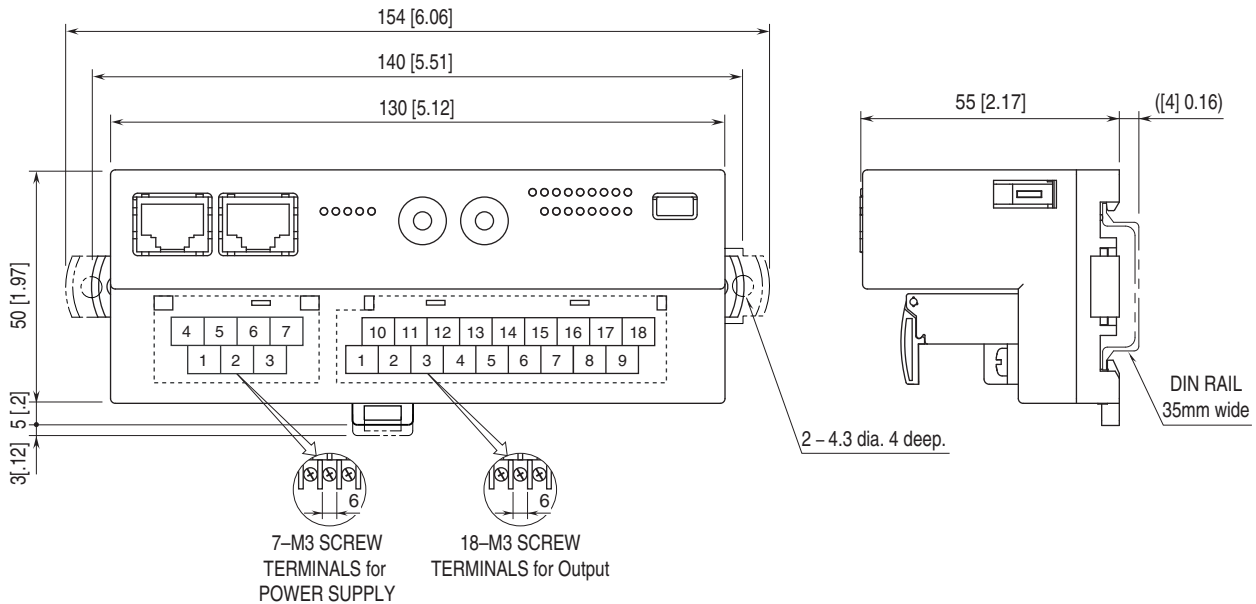
- 1. NC -
- 2. NC -
- 3. FE Functional earth
- 4. NC -
- 5. NC -
- 6. +24V Power supply (24V DC)
- 7. 0V Power supply (0V)

I/O DATA DESCRIPTIONS

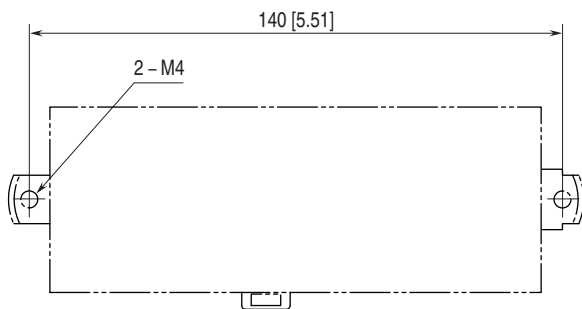
■ DISCRETE OUTPUT



EXTERNAL DIMENSIONS & TERMINAL ASSIGNMENTS unit: mm



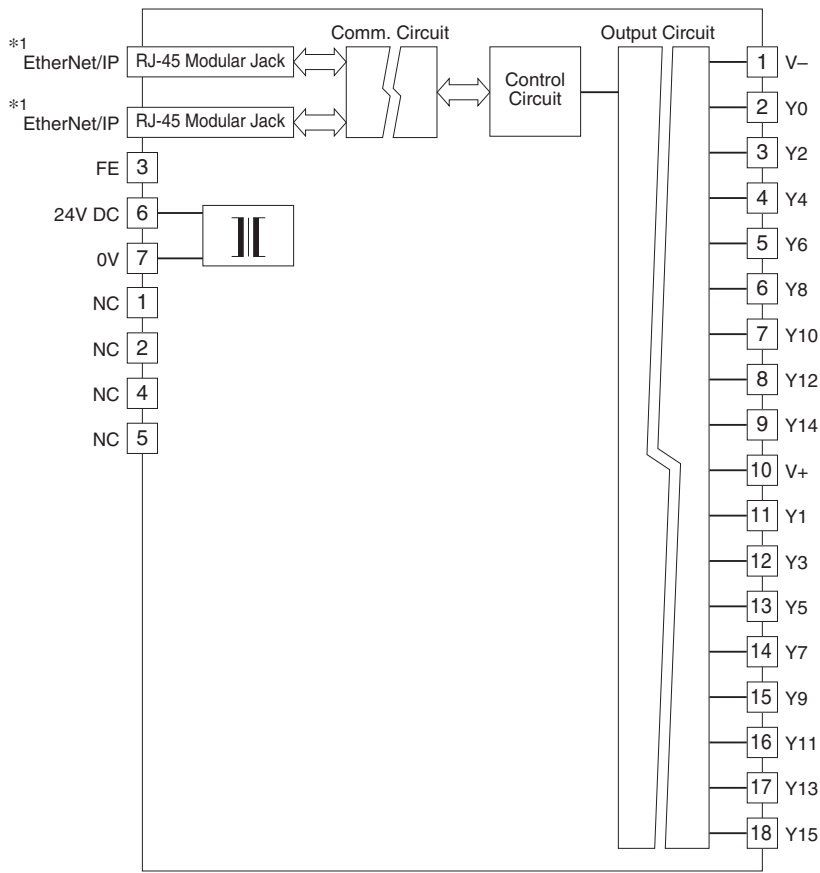
MOUNTING REQUIREMENTS unit: mm [inch]



SCHEMATIC CIRCUITRY & CONNECTION DIAGRAM

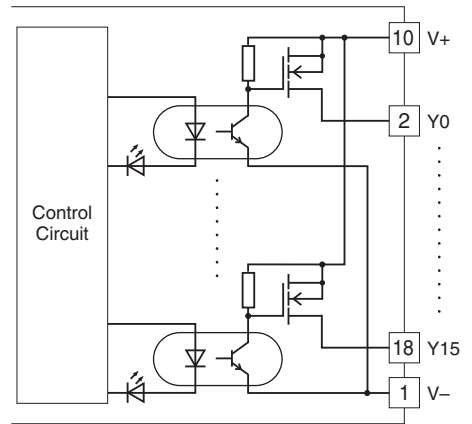
Note: In order to improve EMC performance, bond the FE terminal to ground.

Caution: FE terminal is NOT a protective conductor terminal.

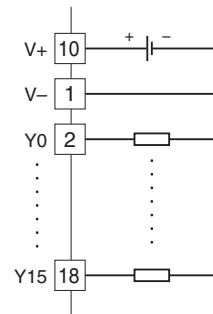


*1. The network cable can be connected to either one.

Output Circuit



Output Connection Examples



Specifications are subject to change without notice.