

Remote I/O R7I4D Series

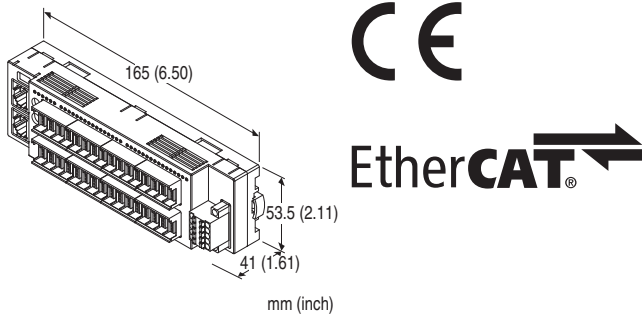
EtherCAT I/O MODULE

(NPN transistor output, 32 points each, e-CON connector)

Functions & Features

- 32 points NPN transistor output module for EtherCAT

EtherCAT® is a registered trademark and patented technology, licensed by Beckhoff Automation GmbH, Germany.



MODEL: R7I4DECT-1-DC32A-R[1]

ORDERING INFORMATION

- Code number: R7I4DECT-1-DC32A-R[1]
Specify a code from below for [1].
(e.g. R7I4DECT-1-DC32A-R/D1/Q)
- Specify the specification for option code /Q
(e.g. /C01/SET)

TERMINAL BLOCK

- 1: Tension clamp terminal block for power supply
RJ-45 Modular jack for communication
e-CON connector for I/O

I/O TYPE

DC32A: NPN transistor output, 32 points

POWER INPUT

DC Power
R: 24 V DC
(Operational voltage range 24 V \pm 10 %, ripple 10 %p-p max.)

[1] OPTIONS (multiple selections)

Wire Breakdown Detection
Blank: With
/D1: Without
Other Options

blank: none
/Q: With options (specify the specification)

SPECIFICATIONS OF OPTION: Q (multiple selections)

COATING (For the detail, refer to our web site.)
/C01: Silicone coating
/C02: Polyurethane coating
/C03: Rubber coating
EX-FACTORY SETTING
/SET: Preset according to the Ordering Information Sheet
(No. ESU-7779-DC32)

RELATED PRODUCTS

- PC configurator software (model: R7CFG)
 - ESI file
- The configurator software and ESI files are downloadable at our web site.
Use a commercially available Mini-B USB cable to connect the unit to a PC.

GENERAL SPECIFICATIONS

Connection
EtherCAT: RJ-45 Modular Jack
Power & Sensor excitation: Separable screwless spring terminal
Output: e-CON connector
Housing material: Flame-resistant resin (gray)
Isolation: Output or sensor excitation to EtherCAT or FE to power
Output at the loss of communication: Configurable via R7CFG
Status indicator LED: PWR, RUN, ERR, L/A IN, L/A OUT
(Refer to the instruction manual.)
Discrete Output status indicator LED: Green LED turns on with Output ON

EtherCAT COMMUNICATION

Standard: IEEE 802.3u
Transmission type: 100BASE-TX
Transmission speed: Full-duplex 100 Mbps
Transmission media: 100BASE-TX (STP cable; Category 5e)
Maximum internode length: 100 meters
Fixed address: Set with rotary switches
(The master must support MDP.)

OUTPUT SPECIFICATIONS

Common: Negative common (NPN) per 32 points
Maximum outputs applicable at once: No limit (at 24 V DC)
Sensor Excitation: 24 V DC \pm 10 %, ripple 5 %p-p max., \leq 5 A (including discrete output load charge); rated current

8 A

Rated output current: 0.2 A per point, 3.2 A per common

Residual voltage: ≤ 1.2 V

Leakage current:

With wire breakdown detection: ≤ 0.7 mA

Without wire breakdown detection: ≤ 0.1 mA

ON delay: ≤ 0.2 msec.

OFF delay: ≤ 0.5 msec.

Overload current protection function: Turns OFF the outputs when overcurrent is detected

Overheat protection function: Turns OFF the outputs when overheat is detected

Diagnostic function: When the overcurrent, overheat and open load (disconnection) are detected, notifies to the status bit of upper input area. Refer to the users manual for details

Note: Status is disabled with option code: /D1 (without wire breakdown detection).

(When driving an inductive load, connect a diode in parallel with the load.)

weak leakage current flows even when the output is OFF. Status bit is disabled and pull-down resistor is not mounted with option code: /D1 (without wire breakdown detection).

PC CONFIGURATOR

The following parameters can be set with using PC Configurator Software (model: R7CFG)

Refer to the users manual for the R7CFG for detailed operation of the software program.

■ CHANNEL INDIVIDUAL SETTING

PARAMETER	SETTING RANGE	DEFAULT
Unused setting (output only)	CH enabled, CH disabled	CH enabled

■ CHANNEL BATCH SETTING

PARAMETER	SETTING RANGE	DEFAULT
Output at communication error	Output hold, Output clear	Output hold

INSTALLATION

Current consumption

•DC at 24 V DC: Approx. 55 mA

Operating temperature: -10 to +55°C (14 to 131°F)

Storage temperature: -20 to +65°C (-4 to +149°F)

Operating humidity: 30 to 90 %RH (non-condensing)

Atmosphere: No corrosive gas or heavy dust

Mounting: Surface or DIN rail (35 mm rail)

Weight: 180 g (0.40 lb)

PERFORMANCE

Insulation resistance: ≥ 100 M Ω with 500 V DC

Dielectric strength: 1500 V AC @ 1 minute

(output or sensor excitation to EtherCAT or FE to power)

STANDARDS & APPROVALS

EU conformity:

EMC Directive

EMI EN 61000-6-4

EMS EN 61000-6-2

RoHS Directive

FUNCTIONS

■ WIRE BREAKDOWN DETECTION

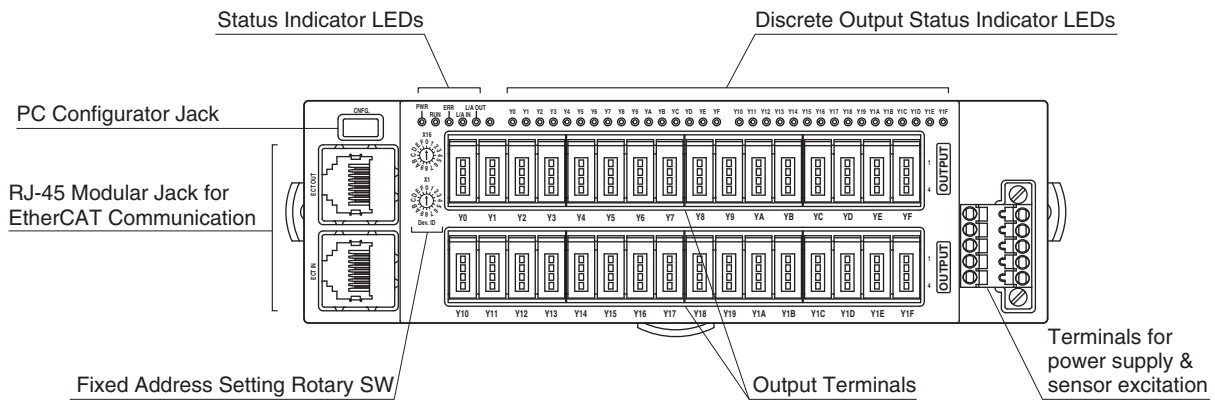
The function to notifies to the status bit of upper input area in case of open load (disconnection) of discrete output is detected.

Connect output load under 10 k Ω .

Pull-down resistor is mounted to detect disconnection so

MODEL: R7I4DECT-1-DC32A

EXTERNAL VIEW



MODEL: R7I4DECT-1-DC32A

TERMINAL ASSIGNMENTS

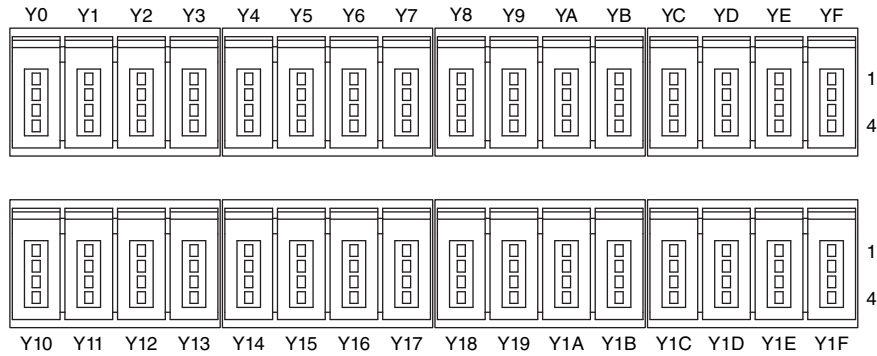
■ OUTPUT TERMINAL ASSIGNMENT

• e-CON connector

Recommended cable connector: 37104-()-000FL (3M Company)

(The cable connector is not included in the package.)

Specify wire size instead of (); refer to the specifications of the product.)



PIN No.	ID	FUNCTION	PIN No.	ID	FUNCTION
Y0	1	+24V 24V DC	Y8	1	+24V 24V DC
	2	NC Unused		2	NC Unused
	3	NC Unused		3	NC Unused
	4	Y0 Output 0		4	Y8 Output 8
Y1	1	+24V 24V DC	Y9	1	+24V 24V DC
	2	NC Unused		2	NC Unused
	3	NC Unused		3	NC Unused
	4	Y1 Output 1		4	Y9 Output 9
Y2	1	+24V 24V DC	YA	1	+24V 24V DC
	2	NC Unused		2	NC Unused
	3	NC Unused		3	NC Unused
	4	Y2 Output 2		4	YA Output 10
Y3	1	+24V 24V DC	YB	1	+24V 24V DC
	2	NC Unused		2	NC Unused
	3	NC Unused		3	NC Unused
	4	Y3 Output 3		4	YB Output 11
Y4	1	+24V 24V DC	YC	1	+24V 24V DC
	2	NC Unused		2	NC Unused
	3	NC Unused		3	NC Unused
	4	Y4 Output 4		4	YC Output 12
Y5	1	+24V 24V DC	YD	1	+24V 24V DC
	2	NC Unused		2	NC Unused
	3	NC Unused		3	NC Unused
	4	Y5 Output 5		4	YD Output 13
Y6	1	+24V 24V DC	YE	1	+24V 24V DC
	2	NC Unused		2	NC Unused
	3	NC Unused		3	NC Unused
	4	Y6 Output 6		4	YE Output 14
Y7	1	+24V 24V DC	YF	1	+24V 24V DC
	2	NC Unused		2	NC Unused
	3	NC Unused		3	NC Unused
	4	Y7 Output 7		4	YF Output 15

PIN No.	ID	FUNCTION	PIN No.	ID	FUNCTION
Y10	1	+24V 24V DC	Y18	1	+24V 24V DC
	2	NC Unused		2	NC Unused
	3	NC Unused		3	NC Unused
	4	Y10 Output 16		4	Y18 Output 24
Y11	1	+24V 24V DC	Y19	1	+24V 24V DC
	2	NC Unused		2	NC Unused
	3	NC Unused		3	NC Unused
	4	Y11 Output 17		4	Y19 Output 25
Y12	1	+24V 24V DC	Y1A	1	+24V 24V DC
	2	NC Unused		2	NC Unused
	3	NC Unused		3	NC Unused
	4	Y12 Output 18		4	Y1A Output 26
Y13	1	+24V 24V DC	Y1B	1	+24V 24V DC
	2	NC Unused		2	NC Unused
	3	NC Unused		3	NC Unused
	4	Y13 Output 19		4	Y1B Output 27
Y14	1	+24V 24V DC	Y1C	1	+24V 24V DC
	2	NC Unused		2	NC Unused
	3	NC Unused		3	NC Unused
	4	Y14 Output 20		4	Y1C Output 28
Y15	1	+24V 24V DC	Y1D	1	+24V 24V DC
	2	NC Unused		2	NC Unused
	3	NC Unused		3	NC Unused
	4	Y15 Output 21		4	Y1D Output 29
Y16	1	+24V 24V DC	Y1E	1	+24V 24V DC
	2	NC Unused		2	NC Unused
	3	NC Unused		3	NC Unused
	4	Y16 Output 22		4	Y1E Output 30
Y17	1	+24V 24V DC	Y1F	1	+24V 24V DC
	2	NC Unused		2	NC Unused
	3	NC Unused		3	NC Unused
	4	Y17 Output 23		4	Y1F Output 31

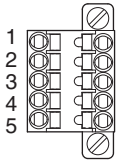
■ POWER SUPPLY, SENSOR EXCITATION

Cable connector: TFMC1,5 / 5-STF-3,5
(Phoenix Contact) (included in the package)

Applicable wire size: 0.2 – 1.5 mm²; stripped length 10 mm

Recommended solderless terminal

- AI0,25–10YE 0.25 mm² (Phoenix Contact)
- AI0,34–10TQ 0.34 mm² (Phoenix Contact)
- AI0,5–10WH 0.5 mm² (Phoenix Contact)
- AI0,75–10GY 0.75 mm² (Phoenix Contact)
- A1–10 1.0 mm² (Phoenix Contact)
- A1,5–10 1.5 mm² (Phoenix Contact)



- | | |
|--------------|-------------------|
| 1. PWR+ | Power Supply |
| 2. PWR- | Power Supply |
| 3. FE | Functional earth |
| 4. SNSR.EXC+ | Sensor excitation |
| 5. SNSR.EXC- | Sensor excitation |

Note: The numbers marked on the connector have no relationship to the pin number of the unit.
Wire according to the instruction manual of the unit.

RESPONSE TIME

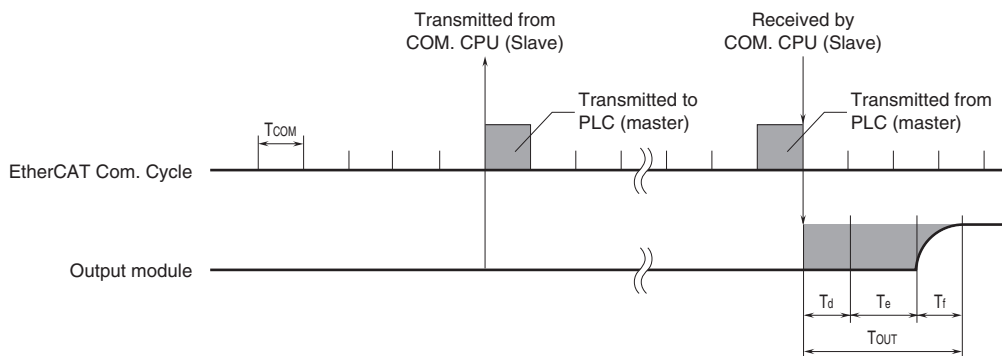
- Output module

Response time is time from when a step (0 to 100%) output signal is received by the communication CPU of the output module (slave) until when its output reaches 90% of the final value.

T_{COM} : EtherCAT communication cycle set by the host device (master)
(The cycle is determined in accordance with the system configuration and settings.)

T_{OUT} : Output module response time \leq Delay time of output internal processing (T_d) (communication cycle \times 1) + 0 msec. (T_e) + Delay time of output circuit (T_f)

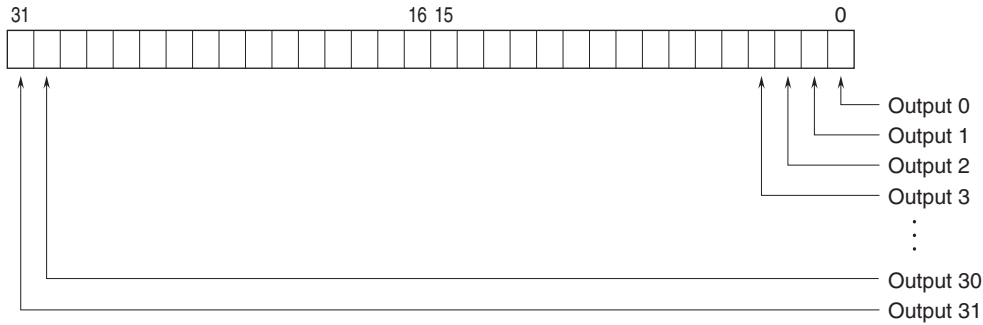
ex.) When EtherCAT communication cycle: 1 msec. and delay time of output: ON,
Output module response time(T_{OUT}): Delay time of output internal processing (1 msec.) (communication cycle \times 1) + 0 msec. + Delay time of output circuit (0.2 msec.) = 1.2 [msec.]



I/O DATA DESCRIPTIONS

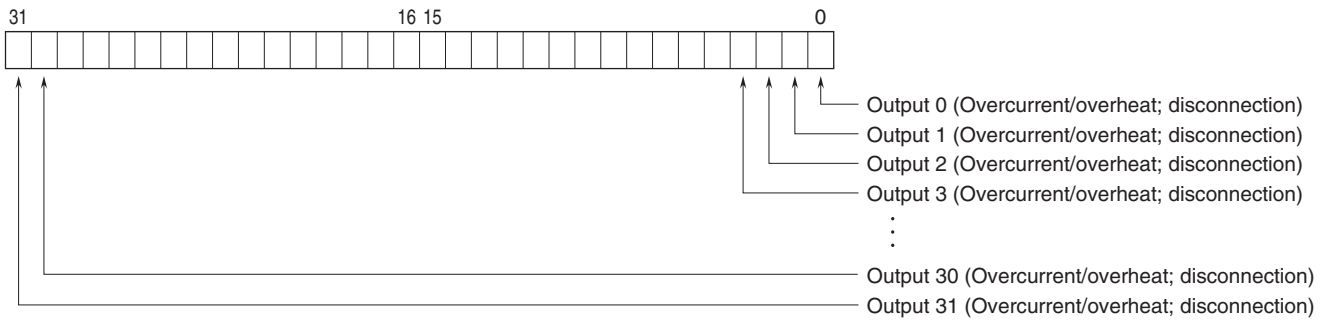
■ DESCRETE OUTPUT MODEULE

• Output Area Objects



0: OFF 1: ON

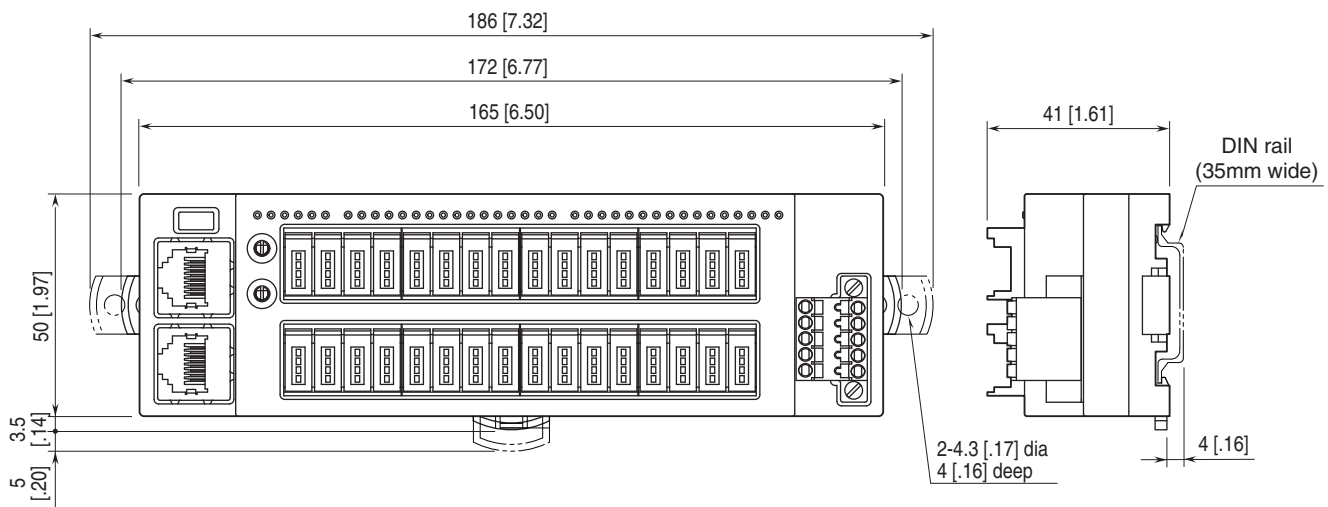
■ STATUS (Input Area Object)



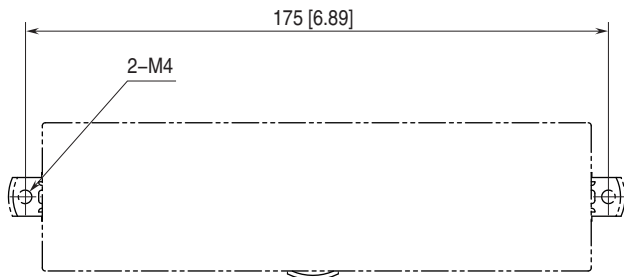
0: Normal
1: Detected the overcurrent/overheat and disconnection

Note: Status is disabled with option code: /D1 (without wire breakdown detection).

EXTERNAL DIMENSIONS unit: mm [inch]



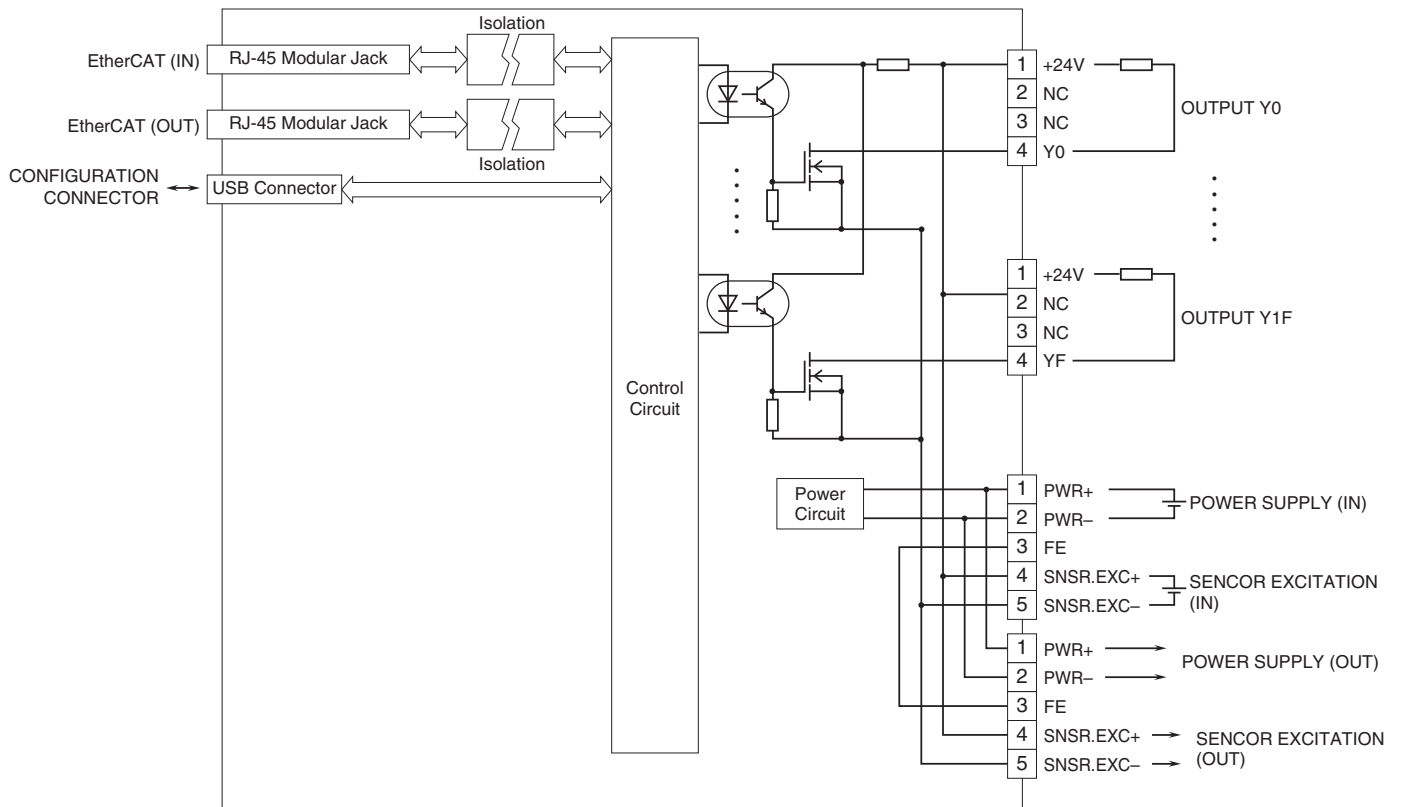
MOUNTING REQUIREMENTS unit: mm [inch]



SCHEMATIC CIRCUITRY & CONNECTION DIAGRAM

Note: In order to improve EMC performance, bond the FE terminal to ground.

Caution: FE terminal is NOT a protective conductor terminal.



Specifications are subject to change without notice.