

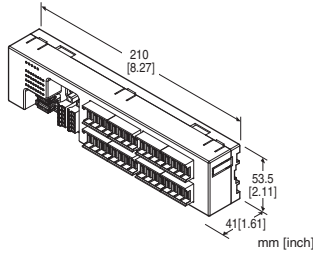
Remote I/O R7K4D Series

MECHATROLINK I/O MODULE

(PNP discrete input, PNP transistor output, 16 points each, e-CON connector, MECHATROLINK- I/- II use)

Functions & Features

- 16 points PNP discrete input & 16 points PNP transistor output module for MECHATROLINK- I/- II



MODEL: R7K4DML-B-DAC32D-R[1]

ORDERING INFORMATION

- Code number: R7K4DML-B-DAC32D-R[1]
Specify a code from below for [1].
(e.g. R7K4DML-B-DAC32D-R/Q)
- Specify the specification for option code /Q
(e.g. /C01)

TERMINAL BLOCK

B: Tension clamp terminal block for power supply
Connector for MECHATROLINK- I/- II for communication
e-CON connector for I/O

I/O TYPE

DAC32D: PNP discrete input &
PNP transistor output, 16 points each

POWER INPUT

DC Power
R: 24 V DC
(Operational voltage range 24 V \pm 10 %, ripple 10 %p-p max.)

[1] OPTIONS

blank: none
/Q: With options (specify the specification)

SPECIFICATIONS OF OPTION: Q

COATING (For the detail, refer to our web site.)
/C01: Silicone coating

/C02: Polyurethane coating

/C03: Rubber coating

GENERAL SPECIFICATIONS

Connection

MECHATROLINK: MECHATROLINK- I/- II connector

Power & Sensor excitation: Separable screwless spring terminal

I/O: e-CON connector

Housing material: Flame-resistant resin (gray)

Isolation: Input or output or sensor excitation to MECHATROLINK or FE to power

Status indicator LED: PWR, ERR, SD, RD

(Refer to the instruction manual for details)

Discrete I/O status indicator LED: Green LED turns on with I/O ON

MECHATROLINK COMMUNICATION

MECHATROLINK mode: Set with DIP switches

(MECHATROLINK-I or -II, data length; Factory setting:

MECHATROLINK-II, data length 32 byte)

(Refer to the instruction manual)

Station address: 60H - 7FH

(Function selected with Rotary SW. Factory setting: 61H).

(Refer to the instruction manual)

■ MECHATROLINK-I

Baud rate: 4 Mbps

Transmission distance: 50 m max.

Distance between stations: 30 cm min.

Transmission media: MECHATROLINK cable (Model JPMC-W6003-x-E, Yaskawa Controls Co., Ltd.)

Max. number of slaves: 15

(The maximum number of slaves might change depending on the master unit. Refer to the manual of the master unit.)

Transmission cycle: 2 msec. (fixed)

Data length: 17 byte

■ MECHATROLINK-II

Baud rate: 10 Mbps

Transmission distance: 50 m max.

Distance between stations: 50 cm min.

Transmission media: MECHATROLINK cable (Model JPMC-W6003-x-E, Yaskawa Controls Co., Ltd.)

Max. number of slaves: 30

(The maximum number of slaves might change depending on the master unit. Refer to the manual of the master unit.)

Transmission cycle: 0.25 msec., 0.5 msec., 1 msec., 1.5 msec., 2 msec., 2.5 msec., 3 msec., 4 msec., 8 msec.

Data length: 17 byte / 32 byte selectable (Must choose identical data size for all stations within the network)

INPUT SPECIFICATIONS

Common: Negative common (PNP) per 16 points
Maximum inputs applicable at once: No limit (at 24V DC)
Sensor excitation: 24 V DC $\pm 10\%$; ripple 5 %p-p max.,
 ≤ 2 A (including discrete input load charge); rated current
8 A
ON voltage / current: ≥ 15 V DC (X0 through XF to GND) /
 ≥ 3.5 mA
OFF voltage / current: ≤ 5 V DC (X0 through XF to GND) /
 ≤ 1 mA
Input current: ≤ 5.5 mA per point at 24 V DC
Input resistance: Approx. 4.4 k Ω
ON delay: ≤ 0.5 msec.
OFF delay: ≤ 1.0 msec.

STANDARDS & APPROVALS

EU conformity:
EMC Directive
EMI EN 61000-6-4
EMS EN 61000-6-2
RoHS Directive

OUTPUT SPECIFICATIONS

Common: Positive common (PNP) per 16 points
Maximum outputs applicable at once: No limit (at 24 V DC)
Sensor Excitation: 24 V DC $\pm 10\%$, ripple 5 %p-p max.,
 ≤ 2 A (including discrete output load charge); rated current
8 A
Rated output current: 0.1 A per point, 1.6 A per common
Residual voltage: ≤ 1.2 V
Leakage current: ≤ 0.1 mA
ON delay: ≤ 0.5 msec.
OFF delay: ≤ 1.0 msec.
Overload current protection function: Limits the current
value when overcurrent is detected
Overheat protection function: Turns OFF the outputs when
overheat is detected
(When driving an inductive load, connect a diode in parallel
with the load.)

INSTALLATION

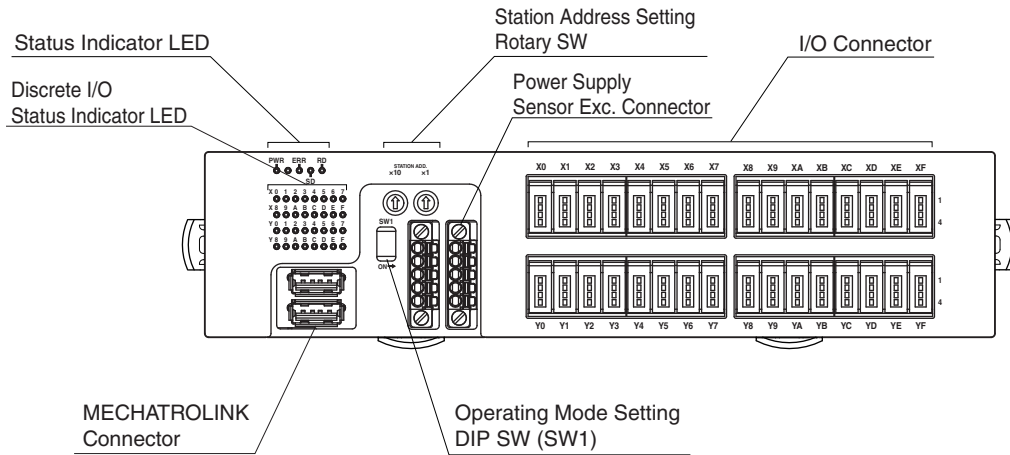
Power consumption: Approx. 75 mA (rated current 2 A)
Operating temperature: 0 to 55°C (32 to 131°F)
Storage temperature: -20 to +65°C (-4 to +149°F)
Operating humidity: 30 to 90 %RH (non-condensing)
Atmosphere: No corrosive gas or heavy dust
Mounting: Surface or DIN rail (35 mm rail)
Weight: 200 g (0.44 lb)

PERFORMANCE

Insulation resistance: ≥ 100 M Ω with 500 V DC
Dielectric strength: 1500 V AC @ 1 minute
(input or output or sensor excitation to power)
500 V AC @ 1 minute (MECHATROLINK or FE to input or
output or sensor excitation or power)

MODEL: R7K4DML-B-DAC32D

EXTERNAL VIEW



MODEL: R7K4DML-B-DAC32D

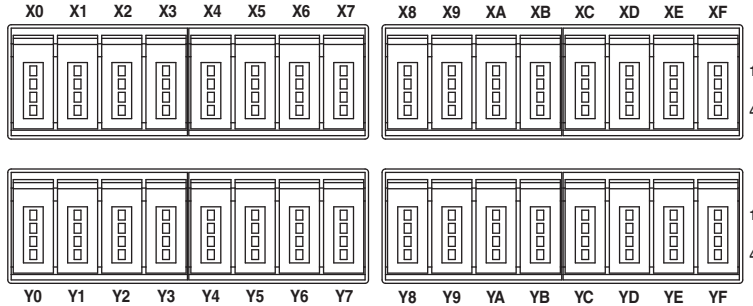
TERMINAL ASSIGNMENTS

■ I/O TERMINAL ASSIGNMENT

- e-CON connector

Recommended cable connector: 37104-()-000FL (3M Company)

(The cable connector is not included in the package. Specify wire size instead of (); refer to the specifications of the product.)



No.	ID	FUNCTION	No.	ID	FUNCTION
X0	1	+24V 24V DC	X8	1	+24V 24V DC
	2	NC Unused		2	NC Unused
	3	GND 0V		3	GND 0V
	4	X0 Input 0		4	X8 Input 8
X1	1	+24V 24V DC	X9	1	+24V 24V DC
	2	NC Unused		2	NC Unused
	3	GND 0V		3	GND 0V
	4	X1 Input 1		4	X9 Input 9
X2	1	+24V 24V DC	XA	1	+24V 24V DC
	2	NC Unused		2	NC Unused
	3	GND 0V		3	GND 0V
	4	X2 Input 2		4	XA Input 10
X3	1	+24V 24V DC	XB	1	+24V 24V DC
	2	NC Unused		2	NC Unused
	3	GND 0V		3	GND 0V
	4	X3 Input 3		4	XB Input 11
X4	1	+24V 24V DC	XC	1	+24V 24V DC
	2	NC Unused		2	NC Unused
	3	GND 0V		3	GND 0V
	4	X4 Input 4		4	XC Input 12
X5	1	+24V 24V DC	XD	1	+24V 24V DC
	2	NC Unused		2	NC Unused
	3	GND 0V		3	GND 0V
	4	X5 Input 5		4	XD Input 13
X6	1	+24V 24V DC	XE	1	+24V 24V DC
	2	NC Unused		2	NC Unused
	3	GND 0V		3	GND 0V
	4	X6 Input 6		4	XE Input 14
X7	1	+24V 24V DC	XF	1	+24V 24V DC
	2	NC Unused		2	NC Unused
	3	GND 0V		3	GND 0V
	4	X7 Input 7		4	XF Input 15

No.	ID	FUNCTION	No.	ID	FUNCTION
Y0	1	NC Unused	Y8	1	NC Unused
	2	NC Unused		2	NC Unused
	3	GND 0V		3	GND 0V
	4	Y0 Output 0		4	Y8 Output 8
Y1	1	NC Unused	Y9	1	NC Unused
	2	NC Unused		2	NC Unused
	3	GND 0V		3	GND 0V
	4	Y1 Output 1		4	Y9 Output 9
Y2	1	NC Unused	YA	1	NC Unused
	2	NC Unused		2	NC Unused
	3	GND 0V		3	GND 0V
	4	Y2 Output 2		4	YA Output 10
Y3	1	NC Unused	YB	1	NC Unused
	2	NC Unused		2	NC Unused
	3	GND 0V		3	GND 0V
	4	Y3 Output 3		4	YB Output 11
Y4	1	NC Unused	YC	1	NC Unused
	2	NC Unused		2	NC Unused
	3	GND 0V		3	GND 0V
	4	Y4 Output 4		4	YC Output 12
Y5	1	NC Unused	YD	1	NC Unused
	2	NC Unused		2	NC Unused
	3	GND 0V		3	GND 0V
	4	Y5 Output 5		4	YD Output 13
Y6	1	NC Unused	YE	1	NC Unused
	2	NC Unused		2	NC Unused
	3	GND 0V		3	GND 0V
	4	Y6 Output 6		4	YE Output 14
Y7	1	NC Unused	YF	1	NC Unused
	2	NC Unused		2	NC Unused
	3	GND 0V		3	GND 0V
	4	Y7 Output 7		4	YF Output 15

■ POWER SUPPLY, SENSOR EXCITATION


Cable connector: FMC1,5 / 5-STF-3,5

(Phoenix Contact) (included in the package)

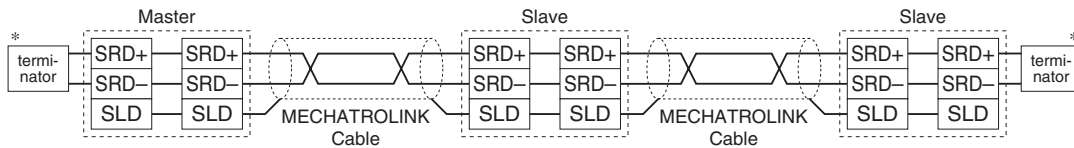
Applicable wire size: 0.2 – 1.5 mm²; stripped length 10 mm

Recommended solderless terminal

- AI0,25-10YE 0.25 mm² (Phoenix Contact)
- AI0,34-10TQ 0.34 mm² (Phoenix Contact)
- AI0,5-10WH 0.5 mm² (Phoenix Contact)
- AI0,75-10GY 0.75 mm² (Phoenix Contact)
- A1-10 1.0 mm² (Phoenix Contact)
- A1,5-10 1.5 mm² (Phoenix Contact)

	<ol style="list-style-type: none"> 1. PWR+ Power Supply (24V DC) 2. PWR- Power Supply (0V) 3. FE Functional earth 4. SNSR.EXC+ Sensor excitation (24V DC) 5. SNSR.EXC- Sensor excitation (0V)
---	---

■ MECHATROLINK CONNECTION



*Terminator

Be sure to connect the terminating resistors to the unit at both ends of transmission line.

Use the terminating resistor dedicated for MECHATROLINK: Model JEPMC-W6022, Yaskawa Controls Co., Ltd.

Certain types of Master units may have incorporated terminating resistors. Consult the instruction manual of the Master unit.

MODEL: R7K4DML-B-DAC32D

MECHATROLINK RELATED COMMANDS

R7K4DML (Simple I/O) communicates with I/O service with no processor, therefore it uses a connectionless communication protocol. There is no application layer either; the R7K4DML interchanges I/O data via data link layer.

■ MECHATROLINK DATA LINK LAYER COMMAND DESCRIPTIONS

The following tables explain the two Commands supported by the R7K4DML.

• MDS Command (04H) Data Format

BYTE	COMMAND	RESPONSE	REMARKS
0	MDS (04H)	S(0) (90H)	Message Data Search (MDS) Command: Read the ID from slave station(s) S(0): Response to MDS
1	0	ID	
2	0		
3	0		
4	0	0	All 0
5	0	0	
6	0	0	
7	0	0	
8	0	0	
9	0	0	
10	0	0	
11	0	0	
12	0	0	
13	0	0	
14	0	0	
15	0	0	
16	0	0	
17	0	0	Byte 17 through 31 are always 0 in the 32-byte mode. These bytes are unavailable for MECHATROLINK-I and MECHATROLINK-II in the 17-byte mode.
:	:	:	
31	0	0	

• CDRW Command (03H) Data Format

BYTE	COMMAND	RESPONSE	REMARKS
0	CDRW (03H)	ACK (01H)	Cyclic Data Read/Write (CDRW) Command: Link transmission Acknowledge (ACK): Positive response to CDRW
1	Out Data: Lowest	In Data: Lowest	Order of data: Little Endian
2			
3			
4			
5			
6			
7			
8			
9			
10			
11			
12			
13			
14			
15			
16			
17	(Out Data: Highest)	(In Data: Highest)	Byte 17 through 31 are unavailable for MECHATROLINK-I and MECHATROLINK-II in the 17-byte mode. (Only available for MECHATROLINK-II in the 32-byte mode)
:			
31			

MODEL: R7K4DML-B-DAC32D

I/O DATA DESCRIPTIONS

■ 17-BYTE MODE

•16 points input data

Byte	Bit7	Bit6	Bit5	Bit4	Bit3	Bit2	Bit1	Bit0
1	In7	In6	In5	In4	In3	In2	In1	In0
2	In15	In14	In13	In12	In11	In10	In9	In8
3	0	0	0	0	0	0	0	0
4	0	0	0	0	0	0	0	0
5	0	0	0	0	0	0	0	0
⋮	0	0	0	0	0	0	0	0
12	0	0	0	0	0	0	0	0
13	0	0	0	0	0	0	0	0
14	0	0	0	0	0	0	0	0
15	0	0	0	0	0	0	0	0
16	0	0	0	0	0	0	0	0

•16 points output data

Byte	Bit7	Bit6	Bit5	Bit4	Bit3	Bit2	Bit1	Bit0
1	0	0	0	0	0	0	0	0
2	0	0	0	0	0	0	0	0
3	0	0	0	0	0	0	0	0
4	0	0	0	0	0	0	0	0
5	0	0	0	0	0	0	0	0
⋮	0	0	0	0	0	0	0	0
12	0	0	0	0	0	0	0	0
13	0	0	0	0	0	0	0	0
14	0	0	0	0	0	0	0	0
15	Out7	Out6	Out5	Out4	Out3	Out2	Out1	Out0
16	Out15	Out14	Out13	Out12	Out11	Out10	Out9	Out8

■ 32-BYTE MODE

•16 points input data

Byte	Bit7	Bit6	Bit5	Bit4	Bit3	Bit2	Bit1	Bit0
1	In7	In6	In5	In4	In3	In2	In1	In0
2	In15	In14	In13	In12	In11	In10	In9	In8
3	0	0	0	0	0	0	0	0
4	0	0	0	0	0	0	0	0
5	0	0	0	0	0	0	0	0
⋮	0	0	0	0	0	0	0	0
28	0	0	0	0	0	0	0	0
29	0	0	0	0	0	0	0	0
30	0	0	0	0	0	0	0	0
31	0	0	0	0	0	0	0	0
32	0	0	0	0	0	0	0	0

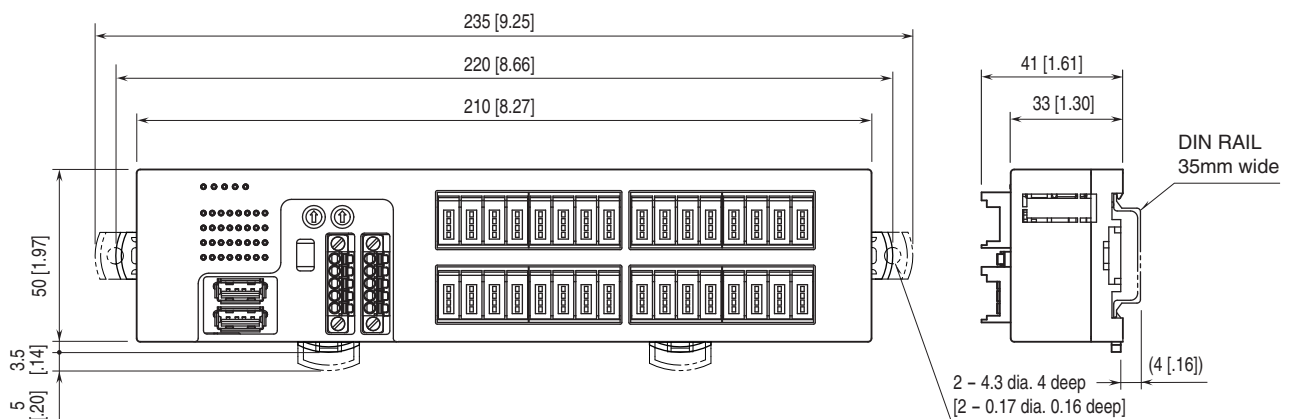
•16 points output data

Byte	Bit7	Bit6	Bit5	Bit4	Bit3	Bit2	Bit1	Bit0
1	0	0	0	0	0	0	0	0
2	0	0	0	0	0	0	0	0
3	0	0	0	0	0	0	0	0
4	0	0	0	0	0	0	0	0
5	0	0	0	0	0	0	0	0
⋮	0	0	0	0	0	0	0	0
28	0	0	0	0	0	0	0	0
29	0	0	0	0	0	0	0	0
30	0	0	0	0	0	0	0	0
31	Out7	Out6	Out5	Out4	Out3	Out2	Out1	Out0
32	Out15	Out14	Out13	Out12	Out11	Out10	Out9	Out8

0: OFF, 1: ON

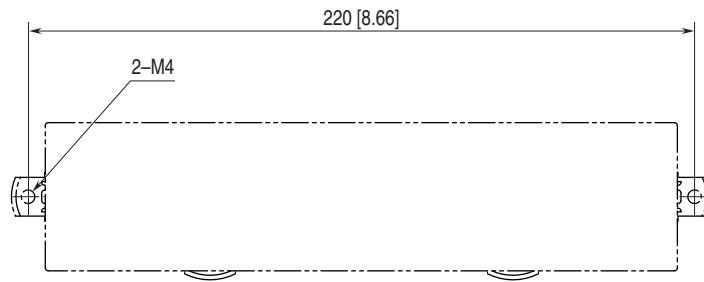
At the loss of communication, output is hold. (last data correctly received is hold)

EXTERNAL DIMENSIONS unit: mm [inch]



MODEL: R7K4DML-B-DAC32D

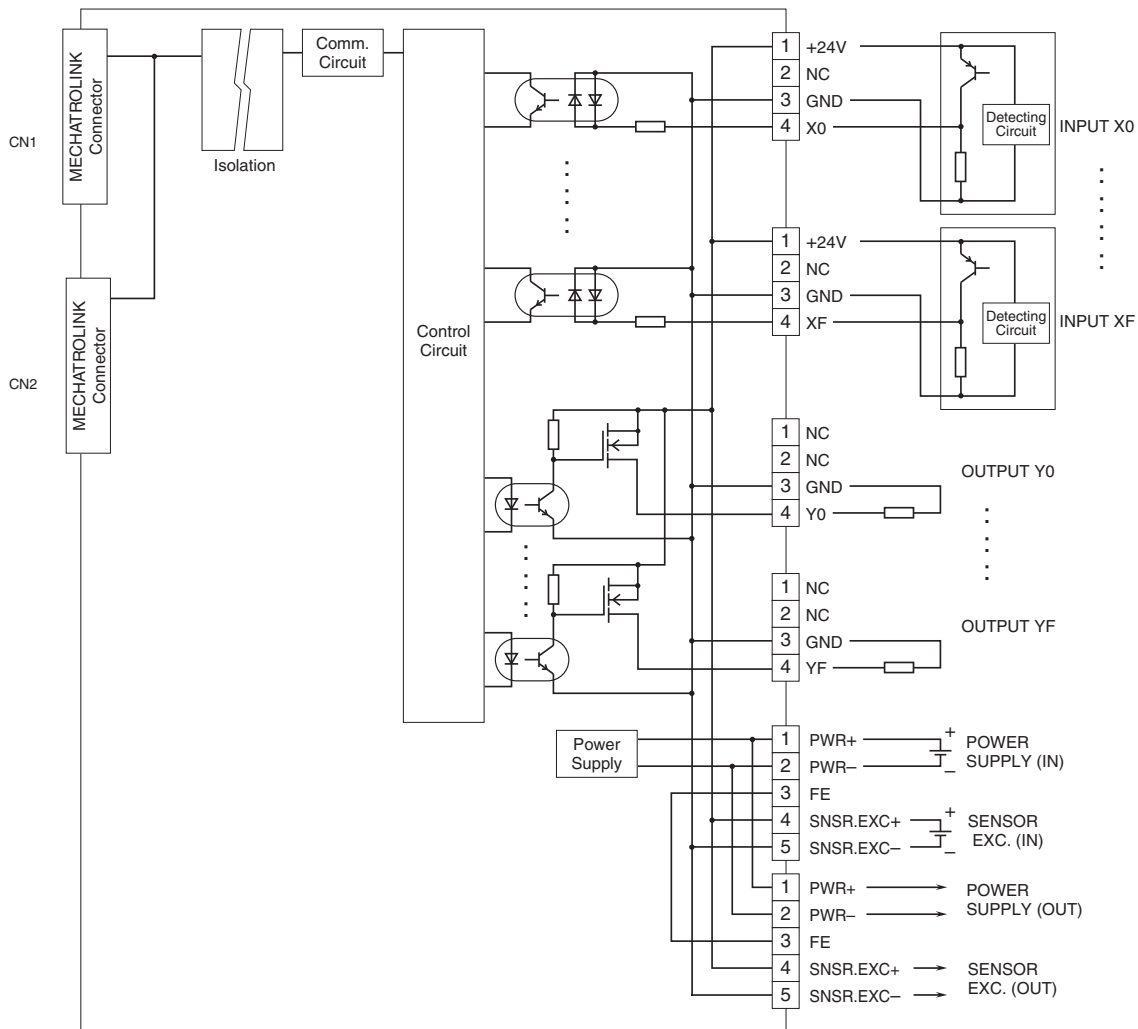
MOUNTING REQUIREMENTS unit: mm [inch]



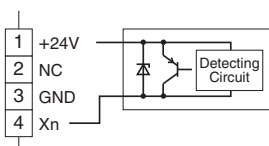
SCHEMATIC CIRCUITRY & CONNECTION DIAGRAM

Note: In order to improve EMC performance, bond the FE terminal to ground.

Caution: FE terminal is NOT a protective conductor terminal.



■ 2-Wire Sensor





Specifications are subject to change without notice.