

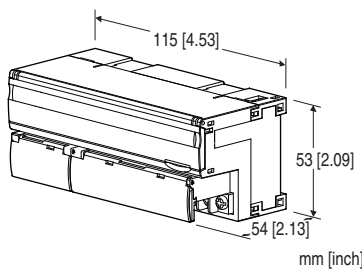
Remote I/O R7 Series

MODBUS I/O MODULE

(DC current output, 2 points, isolated)

Functions & Features

- 2 points DC current output module for Modbus
- Extension module can be connected
- Individual channels, zero adjustment, span adjustment, and scaling can be set with the configurator software (model: R7CON)



MODEL:R7M-YS2-R[1]

ORDERING INFORMATION

- Code number: R7M-YS2-R[1]
- Specify a code from below for [1].
(e.g. R7M-YS2-R/Q)
- Specify the specification for option code /Q
(e.g. /C01/SET)

I/O TYPE

YS2: DC current output, 2 points

POWER INPUT

DC Power

R: 24 V DC

(Operational voltage range 24 V \pm 10 %, ripple 10 %p-p max.)

[1] OPTIONS

Standards & Approvals

blank: CE marking

/UL: UL approval, CE marking

Other Options

blank: none

/Q: Option other than the above (specify the specification)

(UL not available)

SPECIFICATIONS OF OPTION: Q (multiple selections)

COATING (For the detail, refer to our web site.)

/C01: Silicone coating

/C02: Polyurethane coating

/C03: Rubber coating

EX-FACTORY SETTING

/SET: Preset according to the Ordering Information Sheet
(No. ESU-7803-E)

RELATED PRODUCTS

- PC Configurator cable (model: MCN-CON or COP-US)
- PC configurator software (model: R7CON)
Downloadable at our web site.
- Discrete input extension module (model: R7M-EAx)
- Discrete output extension module (model: R7M-ECx)

PACKAGE INCLUDES...

- Terminating resistor (110 Ω , 0.25 W)

GENERAL SPECIFICATIONS

Connection: M3 separable screw terminal (torque 0.5 N·m)

Solderless terminal: Refer to the drawing at the end of the section.

Recommended manufacturer: Japan Solderless Terminal MFG. Co., Ltd., Nichifu Co., Ltd.

Applicable wire size: 0.25 to 1.65 mm² (AWG 22 to 16)

Screw terminal: Nickel-plated steel

Housing material: Flame-resistant resin (gray)

Isolation: Output 0 to output 1 to Modbus or FG to power

Zero adjustments: Configurable via R7CON

Span adjustments: Configurable via R7CON

Extension: No extension (*), Discrete input 8 or 16 points,
Discrete output 8 or 16 points

Selectable with the front DIP SW

(* Factory default setting)

Output at the loss of communication:

Hold the output (*), Reset the output

Selectable with the front DIP SW

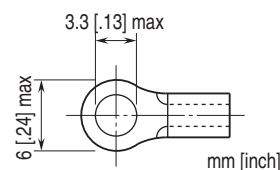
(* Factory default setting)

Status indicator LEDs: PWR, RUN, ERR, SD, RD

(Refer to the instruction manual)

Configurator connection: 2.5 dia. miniature jack

■Recommended solderless terminal



MODBUS COMMUNICATION

Standard: Conforms to TIA/EIA-485-A

Transmission distance: 500 meters max.

Transmission media: Shielded twisted-pair cable
(CPEV-S 0.9 dia.)

Communication parameter: With Configurator Software
(model: R7CON)

- **Data Mode:** RTU (default) or ASCII
- **Parity:** NONE (default), ODD or EVEN
- **Data bit:** 8: RTU (default), 7: ASCII
- **Stop bit:** 1 or 2 (default)

Baud rate setting: With rotary switch

38.4 kbps (default), 19.2 kbps, 9600 bps, 4800 bps

Node address setting: 1 - 99 (with rotary switch) (factory
default setting: 00)

OUTPUT SPECIFICATIONS

Output range: 4 to 20 mA DC

Load resistance: $\leq 600 \Omega$

Operational range: -15 to +115 % of output range

INSTALLATION

Current consumption

- DC: Approx. 140 mA

Operating temperature: -10 to +55°C (14 to 131°F)

Storage temperature: -20 to +65°C (-4 to +149°F)

Operating humidity: 30 to 90 %RH (non-condensing)

Atmosphere: No corrosive gas or heavy dust

Mounting: DIN rail (35 mm rail)

Weight: 180 g (0.40 lb)

PERFORMANCE

Conversion accuracy: $\pm 0.1 \%$

Data range: 0 - 10000 of the output range

(Scaling of converted data is configurable with the
configurator software (model: R7CON))

Temp. coefficient: $\pm 0.015 \%/^{\circ}\text{C}$ ($\pm 0.008 \%/^{\circ}\text{F}$)

Response time: 250 msec. (0 - 90 %)

Insulation resistance: $\geq 100 \text{ M}\Omega$ with 500 V DC

Dielectric strength: 1500 V AC @ 1 minute (output 0 to
output 1 to Modbus or FG to power)

STANDARDS & APPROVALS

Refer to the manuals to comply with the standards.

EU conformity:

EMC Directive

EMI EN 61000-6-4

EMS EN 61000-6-2

RoHS Directive

Approval:

UL/C-UL nonincendive Class I, Division 2,

Groups A, B, C, and D

(ANSI/UL 121201, CAN/CSA-C22.2 No.213-17)

UL/C-UL general safety requirements

(UL 61010-1, CAN/CSA-C22.2 No.61010-1)

Note: This equipment is to be supplied by a Class 2 power
supply when using as conformity with UL/C-UL.

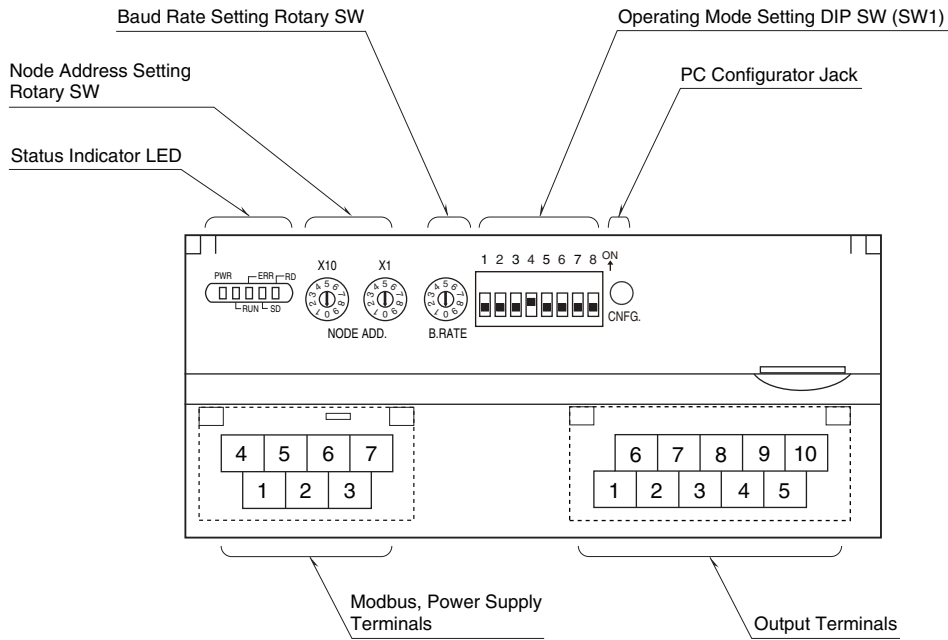
FUNCTIONS

Output hold function:

Output at the loss of communication is selectable from
output clear (fix the output at -15 %) and output hold (last
normally received data) with DIP switch.

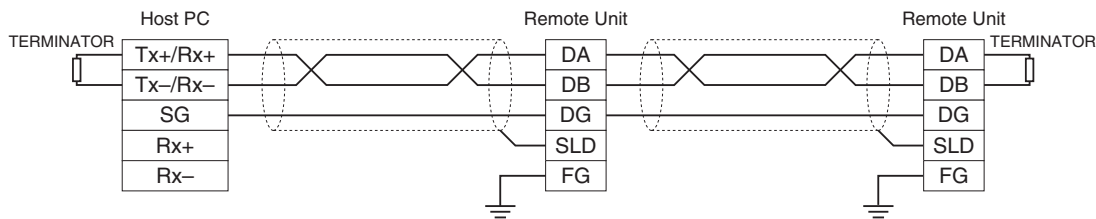
At the startup, it outputs -15 % until the communication is
established and normal data is received.

EXTERNAL VIEW



COMMUNICATION CABLE CONNECTIONS

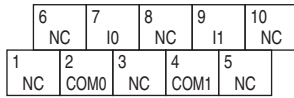
■ MASTER CONNECTION



Be sure to connect the terminating resistor included in the product package to the unit at both ends of transmission line.
 The terminator must be connected across DA and DB.
 The Host PC can be located other than at the extreme ends of transmission line.

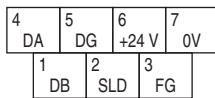
TERMINAL ASSIGNMENTS

■ **OUTPUT TERMINAL ASSIGNMENT**



NO.	ID	FUNCTION	NO.	ID	FUNCTION
1	NC	No connection	6	NC	No connection
2	COM0	Common 0	7	I0	Current 0
3	NC	No connection	8	NC	No connection
4	COM1	Common 1	9	I1	Current 1
5	NC	No connection	10	NC	No connection

■ **POWER SUPPLY, MODBUS TERMINAL ASSIGNMENT**



NO.	ID	FUNCTION, NOTES
1	DB	----
2	SLD	Shield
3	FG	FG
4	DA	-----
5	DG	----
6	+24 V	Power input (24 V DC)
7	0 V	Power input (0 V DC)

MODBUS FUNCTION CODES & SUPPORTED CODES

■ **Data and Control Functions**

CODE	NAME	
01	Read Coil Status	Digital output from the slave
02	Read Input Status	Status of digital inputs to the slave
03	Read Holding Registers	General purpose register within the slave
04	Read Input Registers	Collected data from the field by the slave
05	Force Single Coil	Digital output from the slave
06	Preset Single Register	General purpose register within the slave
08	Diagnostics	
11	Fetch Comm. Event Counter	Fetch a status word and an event counter
12	Fetch Comm. Event Log	A status word, an event counter, a message count and a field of event bytes
15	Force Multiple Coils	Digital output from the slave
16	Preset Multiple Registers	General purpose register within the slave
17	Report Slave ID	Slave type/ 'RUN' status

■ **Exception Codes**

CODE	NAME	
01	Illegal Function	Function code is not allowable for the slave
02	Illegal Data Address	Address is not available within the slave
03	Illegal Data Value	Data is not valid for the function

■ **Diagnostic Subfunctions**

CODE	NAME	
00	Return Query Data	Loop back test

MODBUS I/O ASSIGNMENT

	ADDRESS	DATA TYPE	DATA
Coil (0X)	1 – 16		Digital Output (discrete output of the basic module) (unused)
	17 – 32		Digital Output (discrete output of the extension module)
Inputs (1X)	1 – 16		Digital Input (discrete input of the basic module) (unused)
	17 – 32		Digital Input (discrete input of the extension module)
	33 – 48		Reserved (unused)
	49 – 64		Module Status
	65 – 80		Reserved (unused)
Input Registers (3X)	1 – 48	----	Analog Input (unused)
Holding Registers (4X)	1 – 2	I	Analog Output
	3 – 16	----	Reserved (unused)
	17 – 20	F	Analog Output
	21 – 48	----	Reserved (unused)

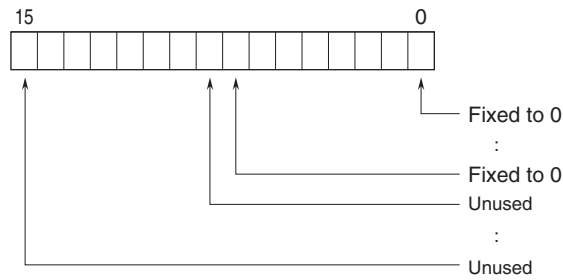
I : Integer, -1500 – +11500 (-15 – +115%)

F : Floating

Note: DO NOT access addresses other than mentioned above. Such access may cause problems such as inadequate operation.

■ STATUS

Bit 0 to 7: Fixed to 0.



DATA CONVERSION

■ OUTPUT RANGE AND DATA CONVERSION (FACTORY DEFAULT SETTING)

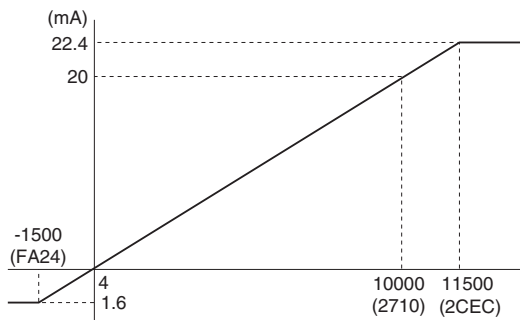
Digital output data is converted into analog representations of 0 – 100% proportional to each scaled range.

Overrange output is possible from -15 to +115% of the nominal range.

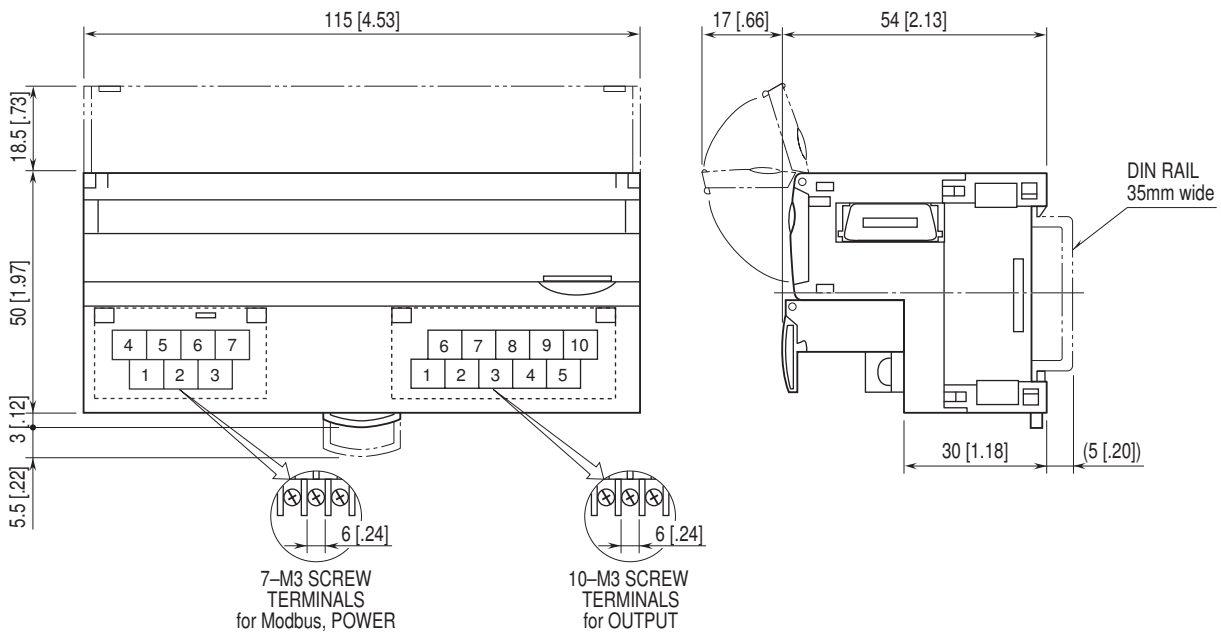
When the signal exceeds the limit, the data is fixed at -15% or +115%.

• Output Range 4 – 20 mA DC

Digital Value, Decimal	Digital Value, HEX	Output Value, Engineering Unit	Output Value, %
-1500	FA24	≤ 1.6 mA	-15%
0	0	4 mA	0%
10000	2710	20 mA	100%
11500	2CEC	≥ 22.4 mA	115%



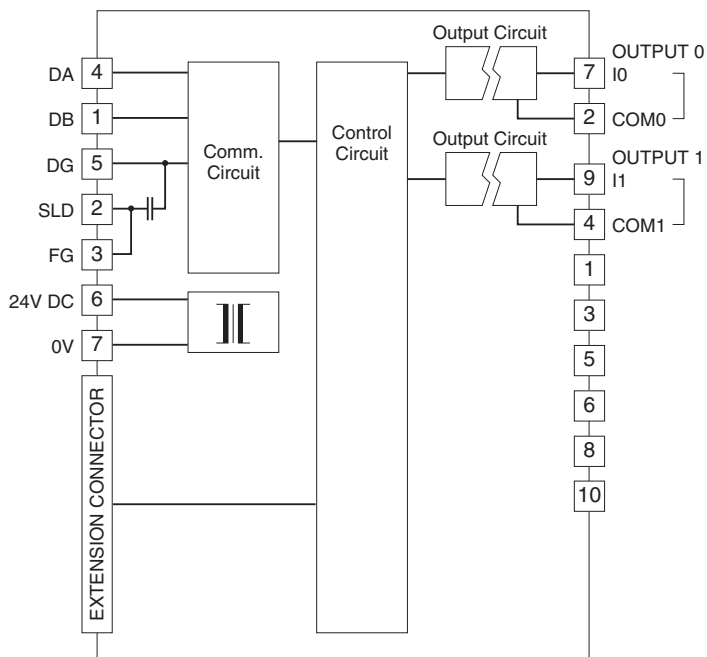
EXTERNAL DIMENSIONS & TERMINAL ASSIGNMENTS unit: mm [inch]



SCHEMATIC CIRCUITRY & CONNECTION DIAGRAM

Note: In order to improve EMC performance, bond the FG terminal to ground.

Caution: FG terminal is NOT a protective conductor terminal.



Specifications are subject to change without notice.