

SOFT-TERMINAL

(standard type, size 48 x 48 mm)

- Auxiliary device for the M-UNIT series Analog Backup Station (Model: AB2, MXAB) and Computer Backup Station (Model: CB2, MXCB)
- Easy manual operation with the front indicator
- Output indicator 4 - 20 mA
- AUTO/MANUAL Switch
- Manual operation with UP/DOWN switches
- Monitor terminal provided

MODEL: ST

ORDERING INFORMATION

- Code number: ST

PACKAGE INCLUDES...

- **Cable (1 meter; 3.3 ft) with connector**
Connector: Japan Solderless Terminal MFG.Co.Ltd
VHR-10N
Lead wire: UL1007 AWG22 (with one end cut off)

GENERAL SPECIFICATIONS

Construction: Panel flush mounting

Connection

Connector: Japan Solderless Terminal MFG.Co.Ltd
B10-PS-VH-GU

Housing material

Unit:

Material: SPCC

Coating: Melamine resin

Color: Black

Mounting bracket: SUS304

Selector Switch: AUTO/MANUAL

Isolation: Input to output

Monitor terminal: 4 - 20 mA DC monitor terminals

INPUT & OUTPUT

■ UP-DOWN COMMAND OPERATION BUTTON

AUTO-MANUAL SELECTOR SWITCH

Contact resistance: 0.05 Ω or less

Contact rating: 0.4 VA, 28 V max. for both input/output;
operational voltage 20 mV - 28 V operational current 0.1
mA - 0.1 A

■ OUTPUT INDICATOR

Input: 4 - 20 mA DC

Input resistance: 20 Ω or less

INSTALLATION

Operating temperature: 0 to 40°C (32 to 104°F)

Operating humidity: 30 to 75 % RH (non-condensing)

Mounting: Panel flush mounting

Weight: 230 g (0.51 lb)

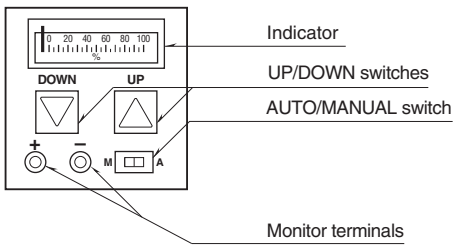
PERFORMANCE

Indicator accuracy: Class 2.5

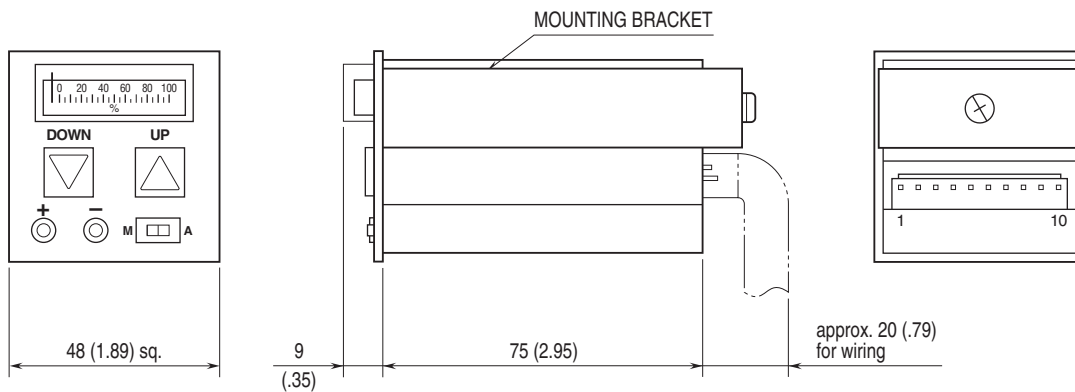
Insulation resistance: \geq 100 M Ω with 500 V DC

Dielectric strength: 1500 V AC @1 minute (input or output
to ground)

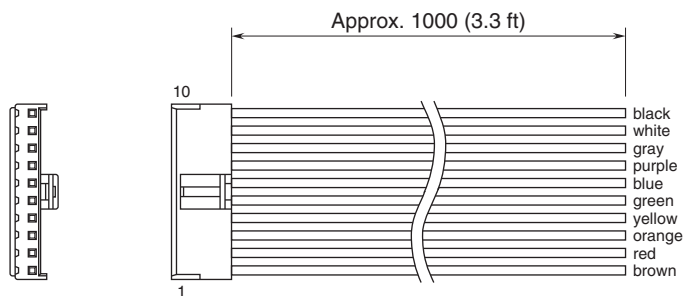
EXTERNAL VIEW



EXTERNAL DIMENSIONS unit: mm [inch]



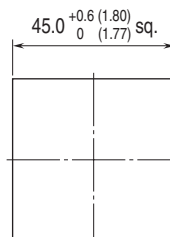
- Cable with connector



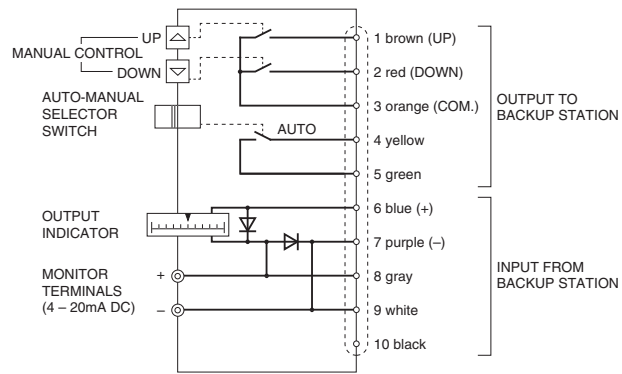
* One end of the cable is cut off.

PANEL CUTOUT unit: mm (inch)

Panel thickness: 0.5 to 6 (.02" to .24")



SCHEMATIC CIRCUITRY & CONNECTION DIAGRAM



Specifications are subject to change without notice.