

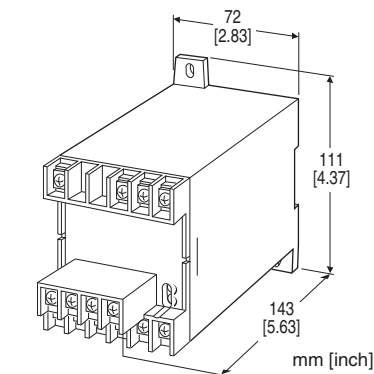
Plug-in Signal Conditioners M-UNIT

SIGNAL TRANSMITTER

(high dielectric strength)

Functions & Features

- Up to 5 kV isolation between input to output or power input
- Terminal cover
- PWB coating



MODEL: SVFH-[1][2]-R[3]

ORDERING INFORMATION

- Code number: SVFH-[1][2]-R[3]
- Specify a code from below for each of [1] through [3]. (e.g. SVFH-04W-R/Q)
- Input range (e.g. -600 - +600 V DC)
- Specify the specification for option code /Q (e.g. /C01)

[1] INPUT

Voltage

2W: -100 - +100 mV DC (Input resistance 1 MΩ min.)

4W: -10 - +10 V DC (Input resistance 1 MΩ min.)

5W: -5 - +5 V DC (Input resistance 1 MΩ min.)

0: Specify range (Please specify from the following input range.)

- -20 - +20 mV DC
- -40 - +40 mV DC
- -200 - +200 mV DC
- -250 - +250 V DC
- -500 - +500 V DC
- -600 - +600 V DC
- -700 - +700 V DC
- -1000 - +1000 V DC
- -1250 - +1250 V DC
- -1300 - +1300 V DC
- -1500 - +1500 V DC
- -2000 - +2000 V DC (CE not available)

[2] OUTPUT

Current

A: 4 - 20 mA DC (Load resistance 750 Ω max.)

D: 0 - 20 mA DC (Load resistance 750 Ω max.)

Voltage

3: 0 - 1 V DC (Load resistance 1000 Ω min.)

4: 0 - 10 V DC (Load resistance 10 kΩ min.)

5: 0 - 5 V DC (Load resistance 5000 Ω min.)

6: 1 - 5 V DC (Load resistance 5000 Ω min.)

4W: -10 - +10 V DC (Load resistance 10 kΩ min.)

5W: -5 - +5 V DC (Load resistance 5000 Ω min.)

7W: -7.5 - +7.5 V DC (Load resistance 7.5 kΩ min.)

POWER INPUT

DC Power

R: 24 V DC

(Operational voltage range 24 V ±10 %, ripple 10 %p-p max.)

[3] OPTIONS

blank: none

/Q: With options (specify the specification)

SPECIFICATIONS OF OPTION: Q

COATING (For the detail, refer to our web site.)

/C01: Silicone coating

/C02: Polyurethane coating

/C03: Rubber coating

GENERAL SPECIFICATIONS

Connection: M4 screw terminals (torque 1.2 N·m)

Screw terminal: Chrome-plated steel

Housing material: Flame-resistant resin (black)

Isolation: Input to output to power

Overrange input: -5 to +105 % (±2000V DC max.)

Zero adjustment: -0.2 to +0.2 % (front)

Span adjustment: 99.8 to 100.2 % (front)

INPUT SPECIFICATIONS

■ DC Voltage

Input resistance: 1 MΩ min. (10 kΩ min. in power failure)

Overload input 1000% 3 min. (±2000V DC max.)

Overload input 300% 5 min. (±2000V DC max.)

INSTALLATION

Power consumption

• **DC:** ≤ 3 W

Operating temperature: -10 to +60°C (14 to 140°F)

Operating humidity: 30 to 90 %RH (non-condensing)

Mounting: Surface or DIN rail

Weight: 450 g (0.99 lb)

PERFORMANCE in percentage of span

Accuracy: $\pm 0.1\%$

Temp. coefficient: $\pm 0.015\%/^{\circ}\text{C}$ ($\pm 0.008\%/^{\circ}\text{F}$)

Response time: ≤ 4 msec. (0 - 90 %)

Line voltage effect: $\pm 0.1\%$ over voltage range

Insulation resistance: $\geq 100\text{ M}\Omega$ with 500 V DC

Dielectric strength: 5000 V AC @ 1 minute (input to output or power or ground)

2000 V AC @ 1 minute (output to power to ground)

STANDARDS & APPROVALS

EU conformity:

EMC Directive

EMI EN 61000-6-4

EMS EN 61000-6-2

Low Voltage Directive

EN 61010-1

Measurement Category I (input)

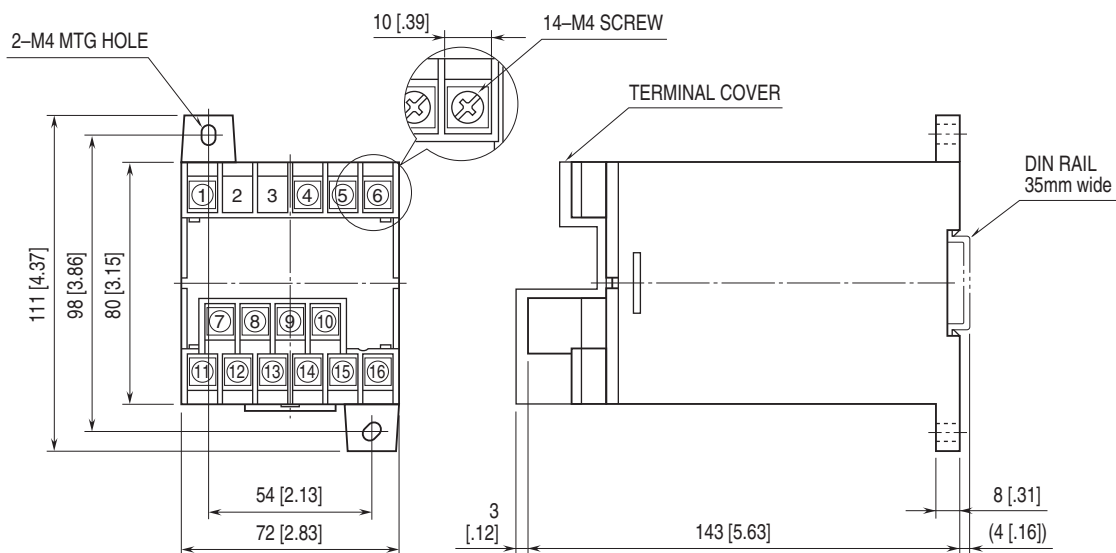
Pollution degree 2

Input to output or power: Reinforced insulation (1500 V)

Note: Input range higher than 1500 V DC is exempted from low voltage directive.

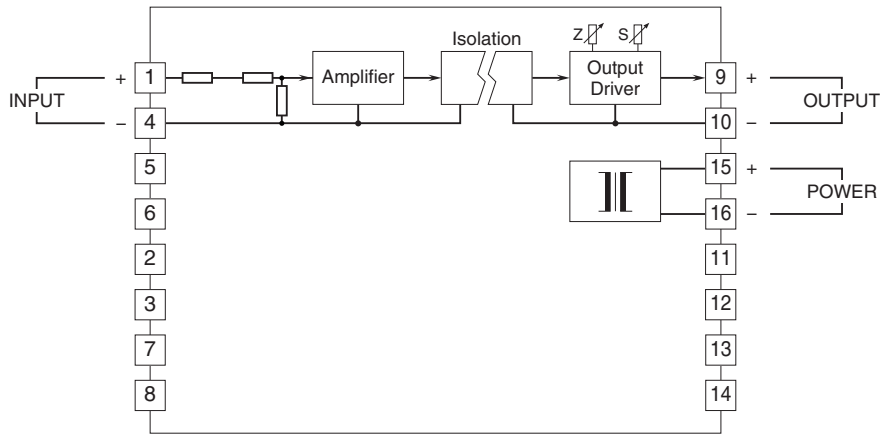
RoHS Directive

EXTERNAL DIMENSIONS & TERMINAL ASSIGNMENTS unit: mm [inch]



• When mounting, no extra space is needed between units.

SCHEMATIC CIRCUITRY & CONNECTION DIAGRAM



Specifications are subject to change without notice.