

Super-mini Two-wire Signal Conditioners T-UNIT

SIGNAL TRANSMITTER

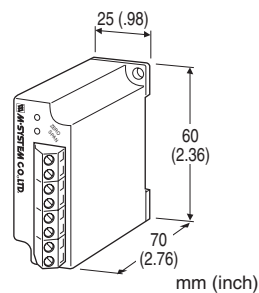
(non-isolated)

Functions & Features

- Converting a DC input into a standard 4 - 20 mA DC signal
- Monitor terminals
- High-density mounting

Typical Applications

- mV, voltage and current scaling



MODEL: TV-[1]

ORDERING INFORMATION

- Code number: TV-[1]
- Specify a code from below for [1].
(e.g. TV-6)
- Special input range (For code 0)

[1] INPUT

Voltage

- 2: 0 - 100 mV DC (Input resistance 50 kΩ min.)
- 3: 0 - 1 V DC (Input resistance 1 MΩ min.)
- 4: 0 - 10 V DC (Input resistance 2 MΩ min.)
- 5: 0 - 5 V DC (Input resistance 2 MΩ min.)
- 6: 1 - 5 V DC (Input resistance 1 MΩ min.)
- 0: Specify voltage (See INPUT SPECIFICATIONS)

GENERAL SPECIFICATIONS

Construction: Stand-alone; terminal access at the front

Connection: Euro type terminal

(applicable wire size: 0.25 to 1.5 mm², stripped length 7 mm)

Housing material: Flame-resistant resin (black)

Zero adjustment: -5 to +5 % (front)

Span adjustment: 95 to 105 % (front)

INPUT SPECIFICATIONS

Input: 0 - 300 V DC

Minimum span: 0.1 V

Offset: max. 0.25 times span

Input resistance

Input Span: Input Resistance

0.1 - 1 V : ≥ 50 kΩ

1 - 5 V : ≥ 1 MΩ

≥ 5 V : ≥ 2 MΩ

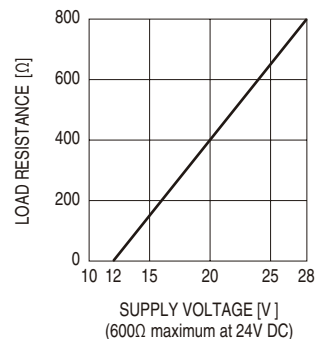
OUTPUT SPECIFICATIONS

Output: 4 - 20 mA DC

Load resistance vs. supply voltage:

Load Resistance (Ω) = (Supply Voltage (V) - 12 (V)) ÷ 0.02

(A) (including leadwire resistance)



INSTALLATION

Supply voltage: 12 - 28 V DC

Operating temperature: -5 to +60°C (23 to 140°F)

Operating humidity: 30 to 90 %RH (non-condensing)

Mounting: Surface or DIN rail

Weight: 120 g (0.26 lb)

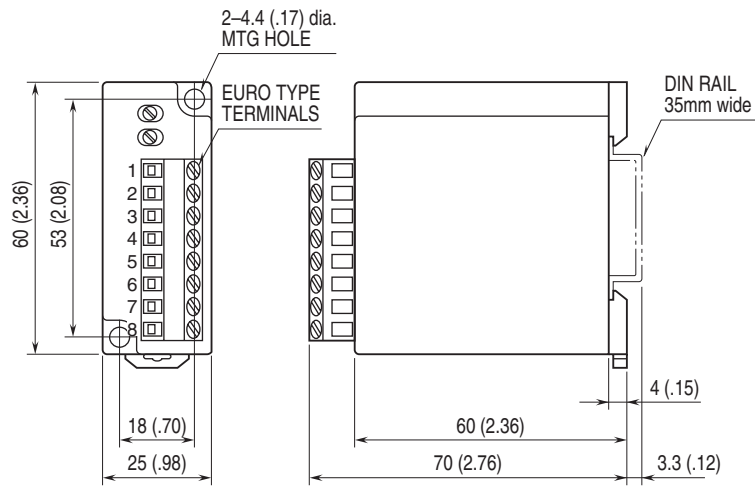
PERFORMANCE in percentage of span

Accuracy: ±0.1 %

Temp. coefficient: ±0.015 %/°C (±0.008 %/°F)

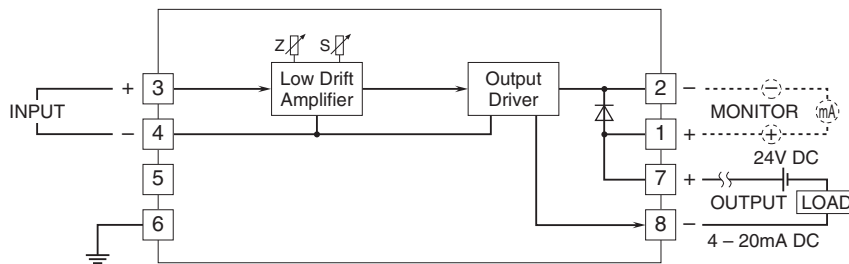
Response time: ≤ 0.5 sec. (0 - 90 %)

EXTERNAL DIMENSIONS & TERMINAL ASSIGNMENTS unit: mm [inch]



•When mounting, no extra space is needed between units.

SCHEMATIC CIRCUITRY & CONNECTION DIAGRAM



Specifications are subject to change without notice.