

**Position Sensors**

**CLAMP SET**

**Functions & Features**

- Clamp set connecting the Position Transmitter (e.g. model VOS2T) to a linear motion valve
- Includes a clamp holding the valve (actuator stem) and a lever connecting it to the Position Transmitter

**MODEL: VOCP**

**ORDERING INFORMATION**

- Code number: VOCP

**GENERAL SPECIFICATIONS**

**Material**

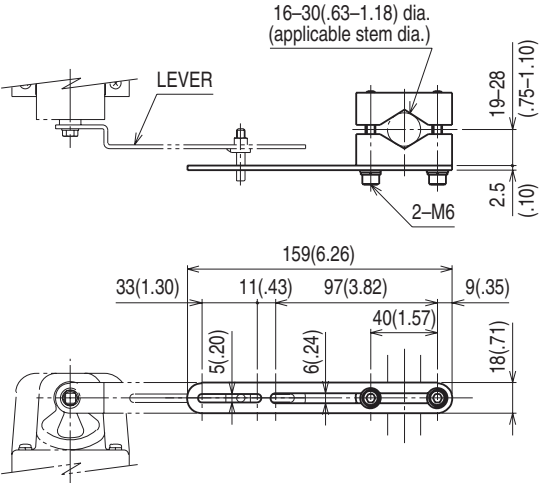
- Clamp:** Carbon steel
- Other parts:** Stainless steel
- Coating on the clamp:** Chromate

**Maximum stroke:** 330 mm (with the position transmitter input -22.5 to +22.5°)

**INSTALLATION**

**Weight:** 310 g (0.68 lb)

**DIMENSIONS unit: mm (inch)**



Specifications are subject to change without notice.