

Position Sensors

LINK SET

Functions & Features

- Link set connecting the Position Transmitter (e.g. model VOS2T-R) to a 90-degree rotary valve
- Includes a clamp holding the valve (actuator stem) and a lever connecting it to the Position Transmitter

MODEL: VOLK-[1]

ORDERING INFORMATION

- Code number: VOLK-[1]

Specify a code from below for [1].

(e.g. VOLK-B1)

[1] LINK TYPE

A: Type A

B: Type B

B1: Type B1

C: Type C

GENERAL SPECIFICATIONS

Material

Clamp:

VOLK-A: Zinc-Aluminum alloy

VOLK-B, B1, C: Cast iron or steel

Other parts: Stainless steel

Coating on the clamp:

VOLK-A: Black chromate

VOLK-B, B1, C: Chromate

INSTALLATION

Weight

VOLK-A: 310 g (0.68 lb)

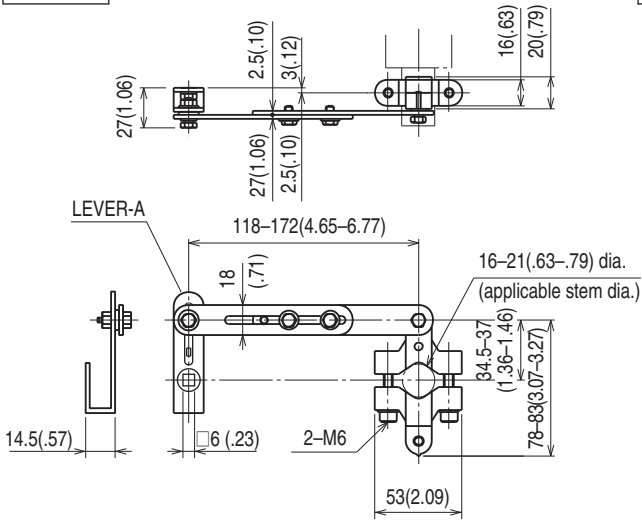
VOLK-B: 540 g (1.19 lb)

VOLK-B1: 450 g (0.99 lb)

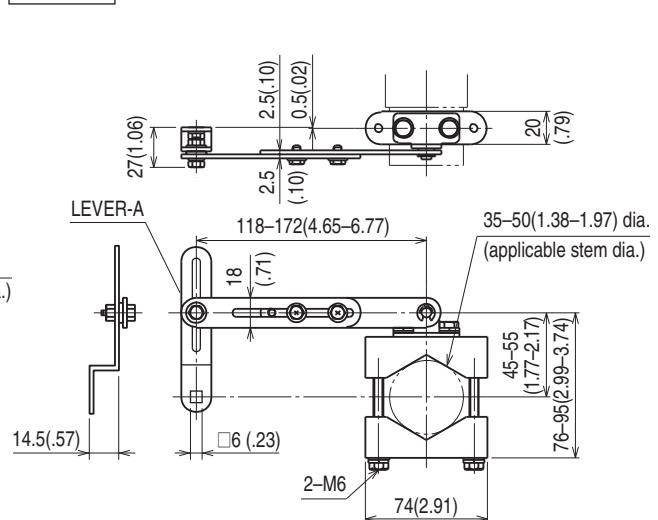
VOLK-C: 550 g (1.21 lb)

DIMENSIONS unit: mm (inch)

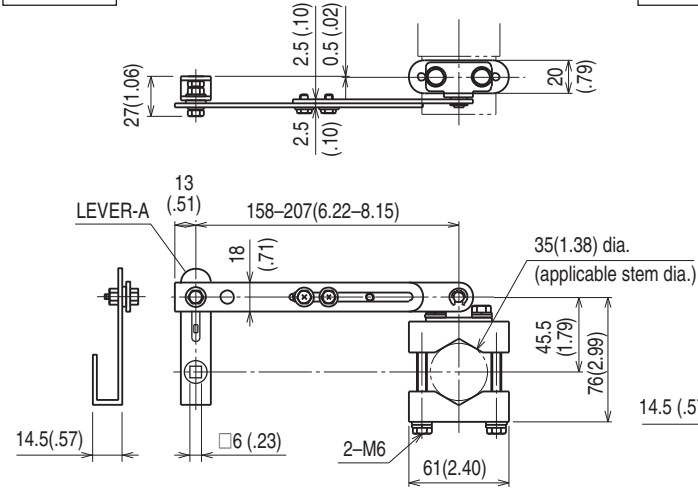
VOLK-A



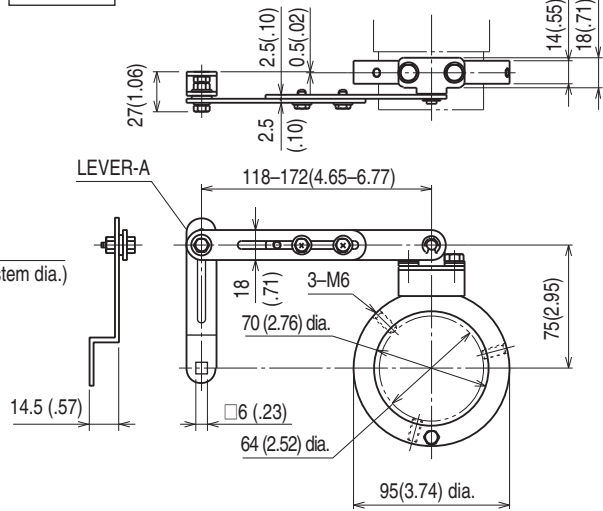
VOLK-B



VOLK-B1



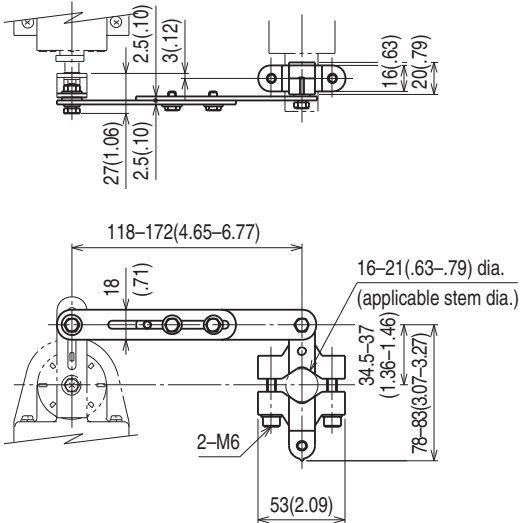
VOLK-C



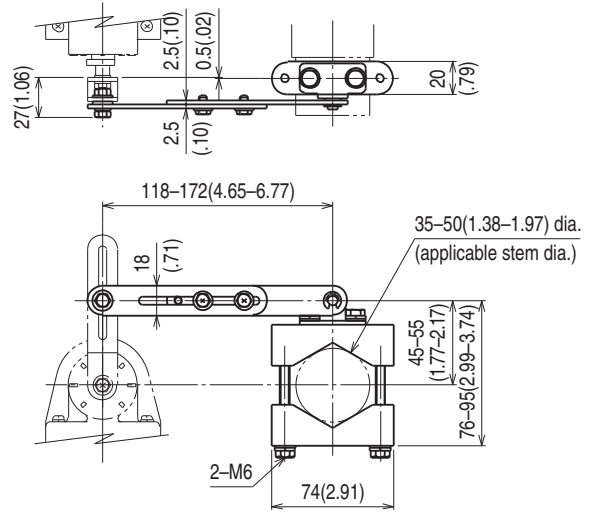
INSTALLATION EXAMPLE unit: mm (inch)

- Example of installation with our rotary motion type position transmitter
- In this case, remove lever-A of the Link Set.

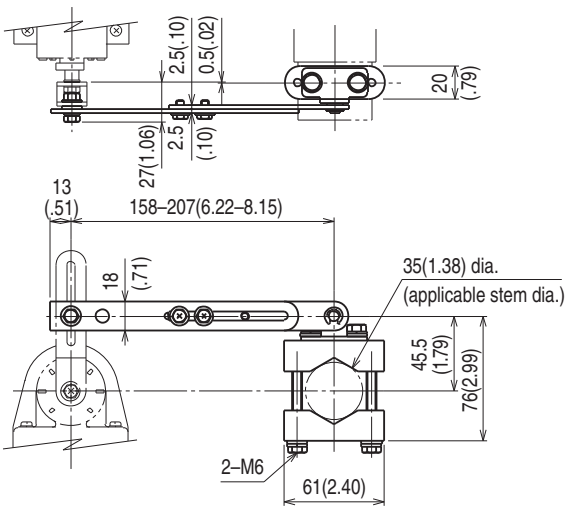
VOLK-A



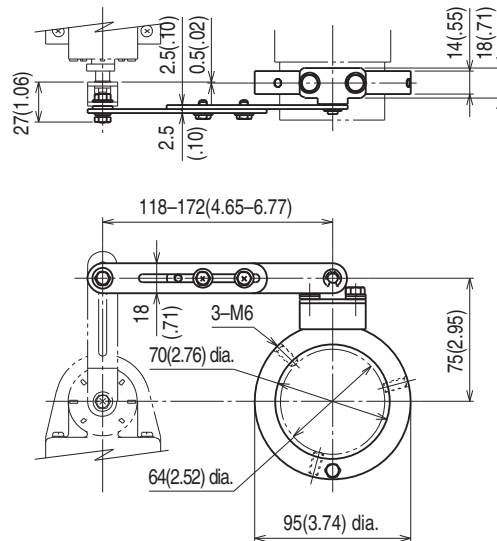
VOLK-B



VOLK-B1



VOLK-C



Specifications are subject to change without notice.