

Dual Output Plug-in Signal Conditioners W-UNIT

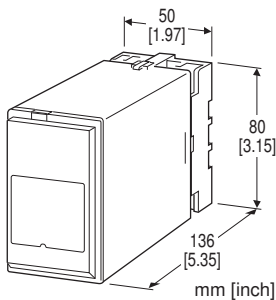
PHASE ANGLE TRANSDUCER

Functions & Features

- Providing a DC output signal in proportion to phase angle
- DC output containing little ripple is ideal for computer input
- Isolation up to 2000 V AC
- High-density mounting

Typical Applications

- Centralized monitoring and control of power management system in a manufacturing facility or building
- Measuring phase angle for a motor



MODEL: WEPA-1[1][2][3][4]-[5][6]

ORDERING INFORMATION

- Code number: WEPA-1[1][2][3][4]-[5][6]
- Specify a code from below for each of [1] through [6].
(e.g. WEPA-11MA5W-C/Q)
- Special output ranges (For codes Z & 0)
- Specify the specification for option code /Q
(e.g. /C01/S01)

Note: When the user requires a current and a voltage output, specify the current to be the Output 1 which allows a greater load.

CONFIGURATION

1: 3-phase / 3-wire

[1] INPUT (balanced load)

- 1: 110 V / 5 A AC
- 2: 110 V / 1 A AC
- 3: 220 V / 1 A AC
- 4: 220 V / 5 A AC

[2] OUTPUT SIGNAL POLARITY

- P: Negative in lag, positive in lead
- M: Negative in lead, positive in lag

[3] OUTPUT 1

Current

- A: 4 - 20 mA DC (Load resistance 600 Ω max.)
- B: 2 - 10 mA DC (Load resistance 1200 Ω max.)
- C: 1 - 5 mA DC (Load resistance 2400 Ω max.)
- D: 0 - 20 mA DC (Load resistance 600 Ω max.)
- E: 0 - 16 mA DC (Load resistance 750 Ω max.)
- F: 0 - 10 mA DC (Load resistance 1200 Ω max.)
- G: 0 - 1 mA DC (Load resistance 12 kΩ max.)
- GW: -1 - +1 mA DC (Load resistance 10 kΩ max.)
- Z: Specify current (See OUTPUT SPECIFICATIONS)

Voltage

- 1: 0 - 10 mV DC (Load resistance 10 kΩ min.)
- 2: 0 - 100 mV DC (Load resistance 100 kΩ min.)
- 3: 0 - 1 V DC (Load resistance 1000 Ω min.)
- 4: 0 - 10 V DC (Load resistance 10 kΩ min.)
- 5: 0 - 5 V DC (Load resistance 5000 Ω min.)
- 6: 1 - 5 V DC (Load resistance 5000 Ω min.)
- 1W: -10 - +10 mV DC (Load resistance 10 kΩ min.)
- 2W: -100 - +100 mV DC (Load resistance 100 kΩ min.)
- 3W: -1 - +1 V DC (Load resistance 1000 Ω min.)
- 4W: -10 - +10 V DC (Load resistance 10 kΩ min.)
- 5W: -5 - +5 V DC (Load resistance 5000 Ω min.)
- 0: Specify voltage (See OUTPUT SPECIFICATIONS)

[4] OUTPUT 2

Current

- A: 4 - 20 mA DC (Load resistance 350 Ω max.)
- B: 2 - 10 mA DC (Load resistance 700 Ω max.)
- C: 1 - 5 mA DC (Load resistance 1400 Ω max.)
- D: 0 - 20 mA DC (Load resistance 350 Ω max.)
- E: 0 - 16 mA DC (Load resistance 430 Ω max.)
- F: 0 - 10 mA DC (Load resistance 700 Ω max.)
- G: 0 - 1 mA DC (Load resistance 7000 Ω max.)
- GW: -1 - +1 mA DC (Load resistance 7000 Ω max.)
- Z: Specify current (See OUTPUT SPECIFICATIONS)

Voltage

Same range availability as Output 1

[5] POWER INPUT

AC Power
B: 100 V AC
C: 110 V AC
D: 115 V AC
F: 120 V AC
G: 200 V AC
H: 220 V AC
J: 240 V AC
 DC Power
S: 12 V DC
R: 24 V DC
V: 48 V DC
P: 110 V DC

[6] OPTIONS

blank: none
/Q: With options (specify the specification)

SPECIFICATIONS OF OPTION: Q (multiple selections)

COATING (For the detail, refer to our web site.)
/C01: Silicone coating
/C02: Polyurethane coating
/C03: Rubber coating
TERMINAL SCREW MATERIAL
/S01: Stainless steel

GENERAL SPECIFICATIONS

Construction: Plug-in
Connection: M3.5 screw terminals
Screw terminal: Chromated steel (standard) or stainless steel
Housing material: Flame-resistant resin (black)
Isolation: Voltage input to current input to output 1 to output 2 to power
Overrange output: Approx. -10 to +120 % at 1 - 5 V
Zero adjustment: -5 to +5 % (front)
Span adjustment: 95 to 105 % (front)
 Adjustable individually for each output 1 and output 2.

INPUT SPECIFICATIONS

Frequency: 50 or 60 Hz
Current Input
Input burden: 0.1 VA (input 1 A)
 0.5 VA (input 5 A)
Operational range: 10 - 120 % of rating
Overload capacity: 1000 % of rating for 3 sec., 200 % for 10 sec., 120 % continuous
Voltage Input
Input burden: Approx. 0.5 VA

Operational range: 85 - 120 % of rating
Overload capacity: 150 % of rating for 10 sec., 120 % continuous

■ **Input range:**
 Lag 60° - 0 - lead 60°
 Lead 60° - 0 - lag 60°

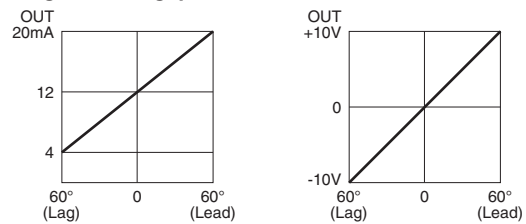
OUTPUT SPECIFICATIONS

■ **DC Current:** 0 - 20 mA DC and ± 1 mA
Minimum span: 1 mA
Offset: Max. 1.5 times span
Load resistance: Output drive 12 V max. for Output 1; 10 V for $[\pm]$ output; 7 V max. for Output 2
 ■ **Voltage Output**
Output voltage range: -10 to +10V DC
Span: 5mV to 22V
Offset: ≤ 1.5 times span
Load resistance: Resistance value with load current of ≤ 1 mA

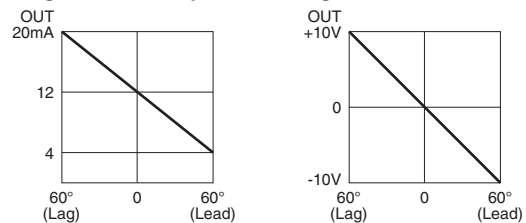
(at output of ≥ 0.5 V)

■ OPERATION DIAGRAM (example)

• Negative in lag, positive in lead



• Negative in lead, positive in lag



Note: When there is no input voltage or 5% or less of the rated input current, the output may become unstable (hunting).

INSTALLATION

Power input

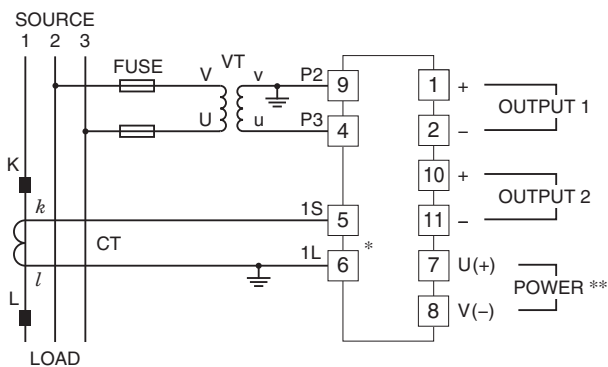
• **AC:** Operational voltage range: rating ± 10 %, 50/60 ± 2 Hz, approx. 3 VA
 • **DC:** Operational voltage range: rating ± 10 %, or 85 - 150 V for 110 V rating, ripple 10 %p-p max., approx. 3 W (27 mA at 110 V)
Operating temperature: -5 to +55°C (23 to 131°F)
Operating humidity: 30 to 90 %RH (non-condensing)
Mounting: Surface or DIN rail
Weight: 500 g (1.1 lb)

PERFORMANCE in percentage of span

- Accuracy:** $\pm 2\%$ with balanced load
- Temp. coefficient:** $\pm 0.2\%/^{\circ}\text{C}$ ($\pm 0.11\%/^{\circ}\text{F}$)
- Response time:** ≤ 1 sec. (0 - 90 %)
- Ripple:** 0.5 %p-p max. (50/60 Hz)
- Line voltage effect:** $\pm 0.1\%$ over voltage range
- Insulation resistance:** $\geq 100\text{ M}\Omega$ with 500 V DC
- Dielectric strength:** 2000 V AC @ 1 minute
(voltage input to current input to output 1 or output 2 to power to ground)
- 1000 V AC @ 1 minute (output 1 to output 2)

CONNECTION DIAGRAM

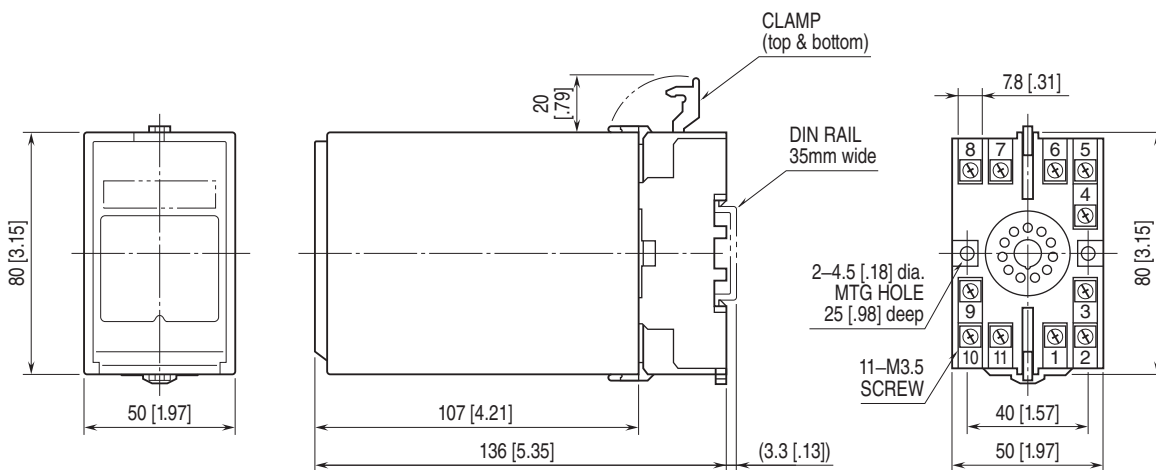
■ 3-PHASE/3-WIRE



* CT Protector (model: CTM) attached to this terminal.

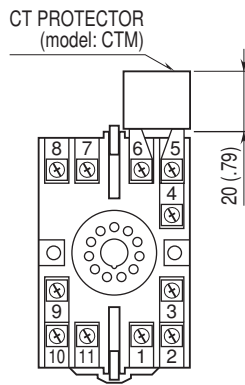
** The transducer can be powered from the input voltage when the voltage is sufficiently stable and meets other supply voltage requirements.

EXTERNAL DIMENSIONS unit: mm [inch]



• When mounting, no extra space is needed between units.

TERMINAL ASSIGNMENTS unit: mm [inch]



Specifications are subject to change without notice.