

Dual Output Plug-in Signal Conditioners W-UNIT

oval flowmeter).

FREQUENCY TRANSMITTER

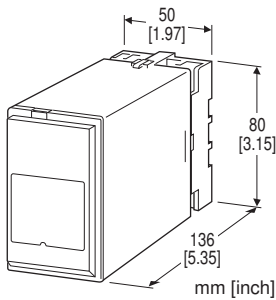
(field-programmable)

Functions & Features

- Converting the output from a pulse-type transducer into standard process signal
- Micro-processor based
- Field-programmable frequency range
- Linearization available for flow compensation
- Averaging non-uniform pulses
- Excitation
- Isolation up to 2000 V AC
- Loop testing via hand-held programmer PU-2x
- High-density mounting

Typical Applications

- Positive displacement flowmeters, turbine flowmeters and vortex flowmeters
- Proximity switches
- Oval flowmeters



MODEL: WJPA-[1][2][3]-[4][5]

ORDERING INFORMATION

• Code number: WJPA-[1][2][3]-[4][5]

Specify a code from below for each of [1] through [5].

- (e.g. WJPA-2AA-B/Q)
- Frequency range (e.g. 0 - 152.3 Hz)
- Special output ranges (For codes Z & 0)
- Linearization data (max. 16 points)

Use Ordering Information Sheet (No. ESU-1673) to specify linearization data when the I/O signals are non-linear.

- Specify the specification for option code /Q (e.g. /C01/S01)

Note 1: When the user requires a current and a voltage output, specify the current to be the Output 1 which allows a greater load.

Note 2: Consult factory on applications with a sensor handling periodically (& quickly) changing frequency (e.g.

[1] INPUT

- 1: Open collector (Excitation: 12 V @ 30 mA)
- 2: Voltage pulse (Excitation: 12 V @ 30 mA)
- 3: Mechanical contact (Excitation: 12 V @ 30 mA)

[2] OUTPUT 1

Current

- A: 4 - 20 mA DC (Load resistance 600 Ω max.)
 - B: 2 - 10 mA DC (Load resistance 1200 Ω max.)
 - C: 1 - 5 mA DC (Load resistance 2400 Ω max.)
 - D: 0 - 20 mA DC (Load resistance 600 Ω max.)
 - E: 0 - 16 mA DC (Load resistance 750 Ω max.)
 - F: 0 - 10 mA DC (Load resistance 1200 Ω max.)
 - G: 0 - 1 mA DC (Load resistance 12 kΩ max.)
 - Z: Specify current (See OUTPUT SPECIFICATIONS)
- Voltage
- 1: 0 - 10 mV DC (Load resistance 10 kΩ min.)
 - 2: 0 - 100 mV DC (Load resistance 100 kΩ min.)
 - 3: 0 - 1 V DC (Load resistance 1000 Ω min.)
 - 4: 0 - 10 V DC (Load resistance 10 kΩ min.)
 - 5: 0 - 5 V DC (Load resistance 5000 Ω min.)
 - 6: 1 - 5 V DC (Load resistance 5000 Ω min.)
 - 4W: -10 - +10 V DC (Load resistance 10 kΩ min.)
 - 5W: -5 - +5 V DC (Load resistance 5000 Ω min.)
 - 0: Specify voltage (See OUTPUT SPECIFICATIONS)

[3] OUTPUT 2

Current

- A: 4 - 20 mA DC (Load resistance 350 Ω max.)
 - B: 2 - 10 mA DC (Load resistance 700 Ω max.)
 - C: 1 - 5 mA DC (Load resistance 1400 Ω max.)
 - D: 0 - 20 mA DC (Load resistance 350 Ω max.)
 - E: 0 - 16 mA DC (Load resistance 430 Ω max.)
 - F: 0 - 10 mA DC (Load resistance 700 Ω max.)
 - G: 0 - 1 mA DC (Load resistance 7000 Ω max.)
 - Z: Specify current (See OUTPUT SPECIFICATIONS)
- Voltage
- Same range availability as Output 1

[4] POWER INPUT

AC Power
B: 100 V AC
C: 110 V AC
D: 115 V AC
F: 120 V AC
G: 200 V AC
H: 220 V AC
J: 240 V AC
 DC Power
S: 12 V DC
R: 24 V DC
V: 48 V DC

[5] OPTIONS

blank: none
/Q: With options (specify the specification)

SPECIFICATIONS OF OPTION: Q (multiple selections)

COATING (For the detail, refer to our web site.)

/C01: Silicone coating
/C02: Polyurethane coating
/C03: Rubber coating
 TERMINAL SCREW MATERIAL
/S01: Stainless steel

RELATED PRODUCTS

- Programming Unit (model: PU-2x)
- PC configurator software (model: JXCON)

Downloadable at our web site.

A dedicated cable is required to connect the module to the PC. Please refer to the internet software download site or the users manual for the PC configurator for applicable cable types.

GENERAL SPECIFICATIONS

Construction: Plug-in
Connection: M3.5 screw terminals
Screw terminal: Chromated steel (standard) or stainless steel
Housing material: Flame-resistant resin (black)
Isolation: Input to output 1 to output 2 to power
Overrange output: -10 - +120 % at 1 - 5 V
 (0 - 120 % when 0 % input equals to 0 Hz.)
Zero adjustment: -5 to +5 % (front)
Span adjustment: 95 to 105 % (front)
 Adjustable individually for each output 1 and output 2.
Linearization: 16 points max. represented as percentage of full-scale
Adjustments: Programming Unit (model: PU-2x); input

range, low-end cutout, zero and span, simulating output, averaging nonuniform pulses, linearization data, etc. (Refer to the users manual of JXCON for the adjustments configurable with JXCON.)

Low-end cutout: 0 - 100 % adjustable (factory set to 0 %); hysteresis fixed to 1 %
 (% of the range from 0 Hz to 100 % frequency.)

INPUT SPECIFICATIONS

Excitation: 12 V DC @30 mA; shortcircuit protection

Pulse width (time) requirement: 10 msec. min. at < 20 Hz; duty ratio 20 - 80 % at ≥ 20 Hz

Offset: Max. 3 times span

■ **Open Collector**

Frequency range: 0 - 0.01 Hz through 25 kHz

(0 - 1 kHz will be used if not otherwise specified)

Sensing: Approx. 12 V DC @ 3 mA

ON/OFF level: ≤ 800 Ω / 2 V for ON,
 ≥ 1.2 kΩ / 3.6 V for OFF

■ **Mechanical Contact**

Frequency range: 0 - 0.01 Hz through 5 Hz

(0 - 5 Hz will be used if not otherwise specified)

Sensing: Approx. 12 V DC @ 3 mA

ON/OFF level: ≤ 800 Ω / 2 V for ON,
 ≥ 1.2 kΩ / 3.6 V for OFF

■ **Voltage Pulse:** Square or sine waveforms

Frequency range: 0 - 0.01 Hz through 25 kHz

(0 - 1 kHz will be used if not otherwise specified.)

Input amplitude: 2 - 50 Vp-p

Input impedance: 10 kΩ min.

OUTPUT SPECIFICATIONS■ **DC Current:** 0 - 20 mA DC

Minimum span: 1 mA

Offset: Max. 1.5 times span

Load resistance: Output drive 12 V max. for Output 1;
 7 V max. for Output 2

■ **DC Voltage:** -10 - +10 V DC

Minimum span: 5 mV

Offset: Max. 1.5 times span

Load resistance: Output drive 1 mA max.; at ≥ 0.5 V

INSTALLATION

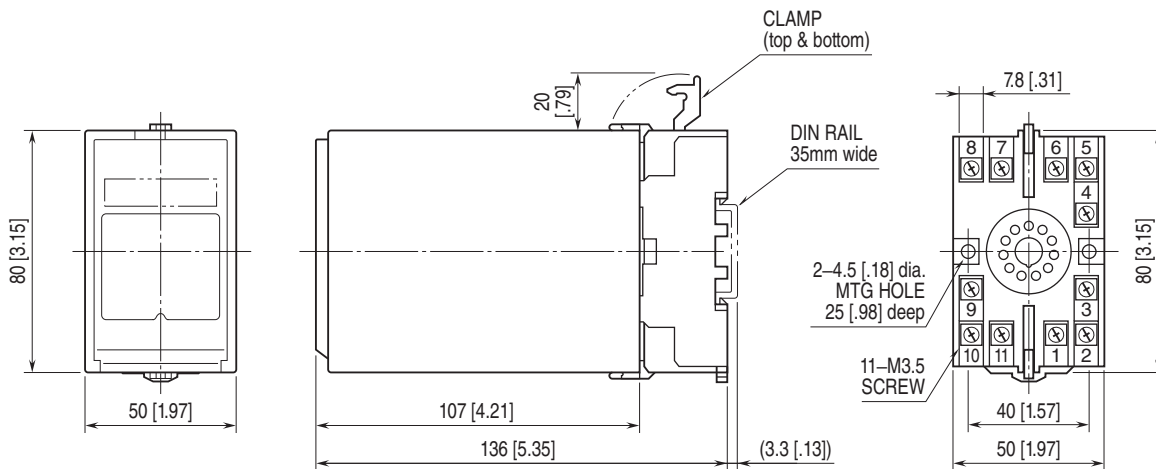
Power input

- AC: Operational voltage range: rating $\pm 10\%$,
50/60 ± 2 Hz, approx. 3.5 VA
- DC: Operational voltage range: rating $\pm 10\%$
ripple 10 %p-p max., approx. 2.6 W (110 mA at 24 V)
- Operating temperature:** -5 to +55°C (23 to 131°F)
- Operating humidity:** 30 to 90 %RH (non-condensing)
- Mounting:** Surface or DIN rail
- Weight:** 400 g (0.88 lb)

PERFORMANCE in percentage of span

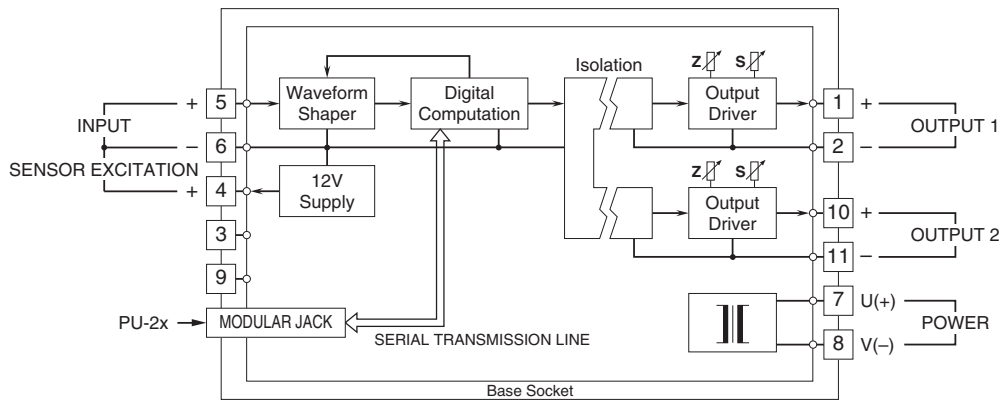
- Accuracy:** $\pm 0.1\%$ with segment gain ≤ 1 [$\pm 0.1\% \times$ gain]
with segment gain > 1
- Temp. coefficient:** $\pm 0.015\%/^{\circ}\text{C}$ ($\pm 0.008\%/^{\circ}\text{F}$)
- Response time:** 0.5 sec. + 1 pulse cycle (0 - 90 %)
- Line voltage effect:** $\pm 0.1\%$ over voltage range
- Insulation resistance:** $\geq 100\text{ M}\Omega$ with 500 V DC
- Dielectric strength:** 2000 V AC @1 minute
(input to output to power to ground)
1000 V AC @ 1 minute (output 1 to output 2)

EXTERNAL DIMENSIONS & TERMINAL ASSIGNMENTS unit: mm [inch]



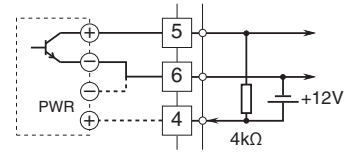
• When mounting, no extra space is needed between units.

SCHEMATIC CIRCUITRY & CONNECTION DIAGRAM

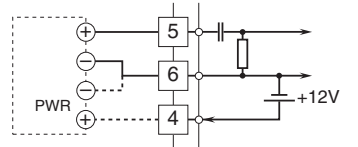


Input Connection Examples

■ Open Collector or Relay Contact



■ Voltage Pulse



Specifications are subject to change without notice.