

Dual Output Plug-in Signal Conditioners W-UNIT

SELF-SYNCH TRANSMITTER

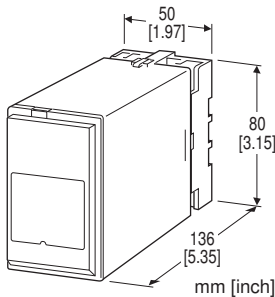
(field-programmable)

Functions & Features

- Converting position signal from a self-synchronizing motor into DC signal proportional to the rotating shaft position
- Micro-processor based
- Linearization
- Loop testing via hand-held programmer PU-2x
- Offset adjustable via front multi-turn screwdriver adjustment
- High-density mounting

Typical Applications

- Position indicator using self-synch
- Tank gauge
- Sounding level meter



MODEL: WJS-1[1][2]-[3][4]

ORDERING INFORMATION

- Code number: WJS-1[1][2]-[3][4]
- Specify a code from below for each of [1] through [4].
(e.g. WJS-1AA-B/Q)
- Input range (e.g. 270°)
 - Special output ranges (For codes Z & 0)
 - Linearization data (max. 16 points)
- Use Ordering Information Sheet (No. ESU-1669) to specify linearization data when the I/O signals are nonlinear.
- Specify the specification for option code /Q (e.g. /C01/S01)
- Note: When the user requires a current and a voltage output, specify the current to be the Output 1 which allows a greater load.

INPUT

1: Self-synch signal

[1] OUTPUT 1

- Current
- A: 4 - 20 mA DC (Load resistance 600 Ω max.)
 - B: 2 - 10 mA DC (Load resistance 1200 Ω max.)
 - C: 1 - 5 mA DC (Load resistance 2400 Ω max.)
 - D: 0 - 20 mA DC (Load resistance 600 Ω max.)
 - E: 0 - 16 mA DC (Load resistance 750 Ω max.)
 - F: 0 - 10 mA DC (Load resistance 1200 Ω max.)
 - G: 0 - 1 mA DC (Load resistance 12 kΩ max.)
 - Z: Specify current (See OUTPUT SPECIFICATIONS)
- Voltage
- 1: 0 - 10 mV DC (Load resistance 10 kΩ min.)
 - 2: 0 - 100 mV DC (Load resistance 100 kΩ min.)
 - 3: 0 - 1 V DC (Load resistance 1000 Ω min.)
 - 4: 0 - 10 V DC (Load resistance 10 kΩ min.)
 - 5: 0 - 5 V DC (Load resistance 5000 Ω min.)
 - 6: 1 - 5 V DC (Load resistance 5000 Ω min.)
 - 4W: -10 - +10 V DC (Load resistance 10 kΩ min.)
 - 5W: -5 - +5 V DC (Load resistance 5000 Ω min.)
 - 0: Specify voltage (See OUTPUT SPECIFICATIONS)

[2] OUTPUT 2

- Current
- A: 4 - 20 mA DC (Load resistance 350 Ω max.)
 - B: 2 - 10 mA DC (Load resistance 700 Ω max.)
 - C: 1 - 5 mA DC (Load resistance 1400 Ω max.)
 - D: 0 - 20 mA DC (Load resistance 350 Ω max.)
 - E: 0 - 16 mA DC (Load resistance 430 Ω max.)
 - F: 0 - 10 mA DC (Load resistance 700 Ω max.)
 - G: 0 - 1 mA DC (Load resistance 7000 Ω max.)
 - Z: Specify current (See OUTPUT SPECIFICATIONS)
- Voltage
- Same range availability as Output 1

[3] POWER INPUT

- AC Power
- B: 100 V AC
 - C: 110 V AC
 - D: 115 V AC
 - F: 120 V AC
 - G: 200 V AC
 - H: 220 V AC
 - J: 240 V AC

[4] OPTIONS

- blank: none
- /Q: With options (specify the specification)

SPECIFICATIONS OF OPTION: Q (multiple selections)

COATING (For the detail, refer to our web site.)

/C01: Silicone coating

/C02: Polyurethane coating

/C03: Rubber coating

TERMINAL SCREW MATERIAL

/S01: Stainless steel

RELATED PRODUCTS

- Programming Unit (model: PU-2x)
- PC configurator software (model: JXCON)

Downloadable at our web site.

A dedicated cable is required to connect the module to the PC. Please refer to the internet software download site or the users manual for the PC configurator for applicable cable types.

GENERAL SPECIFICATIONS

Construction: Plug-in

Connection: M3.5 screw terminals

Screw terminal: Chromated steel (standard) or stainless steel

Housing material: Flame-resistant resin (black)

Isolation: Input to output 1 to output 2 to power

Offset adjustment: 0 to 360°(front)

Zero adjustment: -5 to +5 % (front)

Span adjustment: 95 to 105 % (front)

Adjustable individually for each output 1 and output 2.

Linearization: 16 points max. within the range of -15.00 - +115.00 % input or output; represented as percentage of full-scale

Adjustments: Programming Unit (model: PU-2x); input range, offset, linearization data, zero and span, input angle & coordinates, etc.

(Refer to the users manual of JXCON for the adjustments configurable with JXCON.)

INPUT SPECIFICATIONS

Input: Self-synch signal

Range: 0 - 360°

Minimum span: 60°

(Default input range is 270° if not otherwise specified)

Input resistance: 1 MΩ minimum

Rated input voltage: 90 V AC

OUTPUT SPECIFICATIONS

■ **DC Current:** 0 - 20 mA DC

Minimum span: 1 mA

Offset: Max. 1.5 times span

Load resistance: Output drive 12 V max. for Output 1;

7 V max. for Output 2

■ **DC Voltage:** -10 - +10 V DC

Minimum span: 5 mV

Offset: Max. 1.5 times span

Load resistance: Output drive 1 mA max.; at ≥ 0.5 V

INSTALLATION

Power input

• **AC:** Operational voltage range: rating ± 10 %, 50/60 ± 2 Hz, approx. 3.5 VA

Operating temperature: -5 to +55°C (23 to 131°F)

Operating humidity: 30 to 90 %RH (non-condensing)

Mounting: Surface or DIN rail

Weight: 400 g (0.88 lb)

PERFORMANCE in percentage of span

Accuracy: ± 0.2 % or $\pm 0.5^\circ$, whichever is greater (gain ≤ 1)
accuracy = $[\pm 0.2\%(\pm 0.5^\circ) \times \text{gain}]$ with the gain > 1

Temp. coefficient: ± 0.015 %/°C (± 0.008 %/°F)

Response time: Approx. 2 sec. (0 - 90 %)

Line voltage effect: ± 0.1 % over voltage range

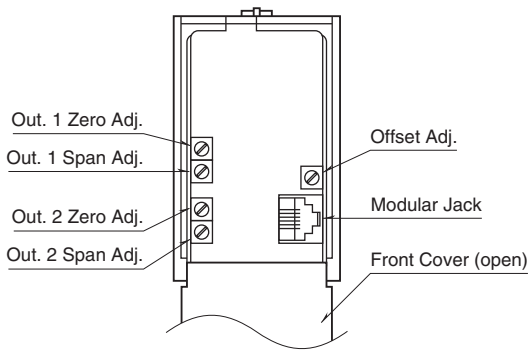
Insulation resistance: ≥ 100 MΩ with 500 V DC

Dielectric strength: 2000 V AC @1 minute

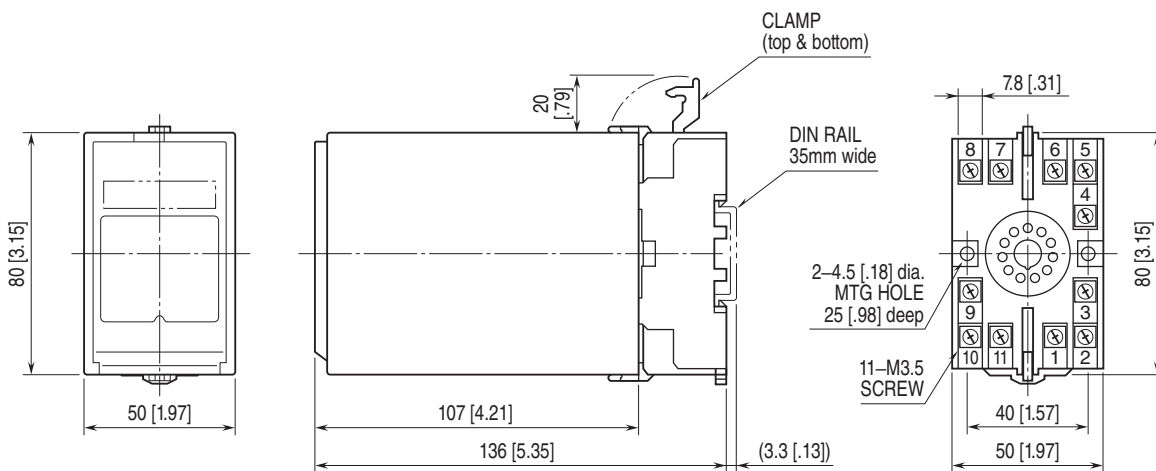
(input to output to power to ground)

1000 V AC @ 1 minute (output 1 to output 2)

EXTERNAL VIEW

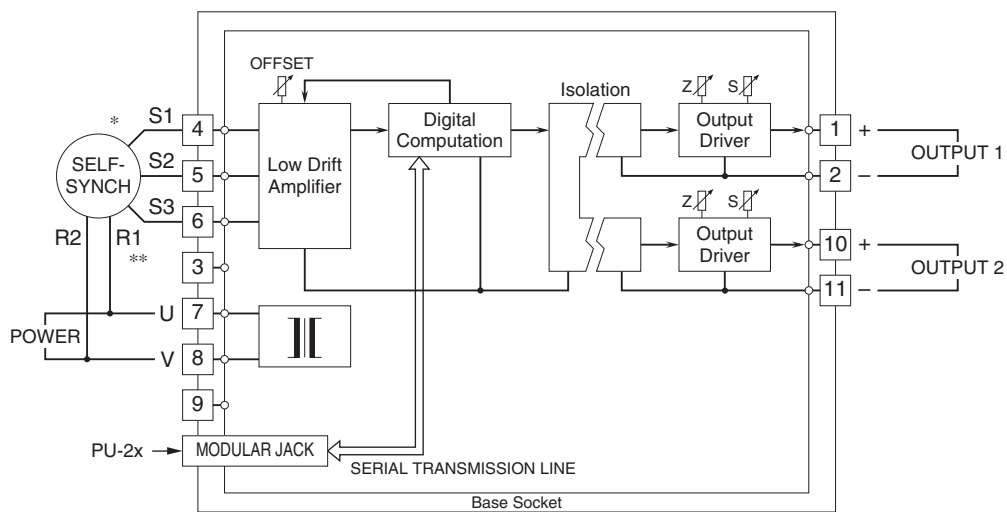


EXTERNAL DIMENSIONS & TERMINAL ASSIGNMENTS unit: mm [inch]



• When mounting, no extra space is needed between units.

SCHEMATIC CIRCUITRY & CONNECTION DIAGRAM



- * The output increases when the self-synch rotates clockwise. For changing the operation to counterclockwise, replace the connection of the S2 and S3.
- ** Be sure that the polarity of the power input to the WJS matches to the self-synch input polarity. When the connection is reversed, the WJS output will be shifted by 180°.



Specifications are subject to change without notice.