

Dual Output Plug-in Signal Conditioners W-UNIT

POTENTIOMETER TRANSMITTER

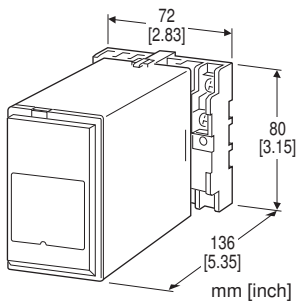
(CE)

Functions & Features

- Providing two DC outputs proportional to a potentiometer or slidewire position input
- Constant voltage excitation allows the connection of pots with total resistance from 100 Ω - 10 kΩ without affecting accuracy
- 50 % zero/span adjustments with minimal interaction
- Signal isolation
- Fast response type available
- High-density mounting

Typical Applications

- Tank levels
- Positions



MODEL: WMS2-[1][2]-[3][4]

ORDERING INFORMATION

- Code number: WMS2-[1][2]-[3][4]
- Specify a code from below for each of [1] through [4].
(e.g. WMS2-A6-B/K/Q)
- Special output ranges (For codes Z & 0)
 - Specify the specification for option code /Q
(e.g. /C01/S01)
- Note: When the user requires a current and a voltage output, specify the current to be the Output 1 which allows a greater load.

INPUT POTENTIOMETER

Total resistance 100 Ω - 10 kΩ

[1] OUTPUT 1

Current

- A: 4 - 20 mA DC (Load resistance 600 Ω max.)
- B: 2 - 10 mA DC (Load resistance 1200 Ω max.)
- C: 1 - 5 mA DC (Load resistance 2400 Ω max.)

- D: 0 - 20 mA DC (Load resistance 600 Ω max.)
 - E: 0 - 16 mA DC (Load resistance 750 Ω max.)
 - F: 0 - 10 mA DC (Load resistance 1200 Ω max.)
 - G: 0 - 1 mA DC (Load resistance 12 kΩ max.)
 - Z: Specify current (See OUTPUT SPECIFICATIONS)
- Voltage

- 1: 0 - 10 mV DC (Load resistance 10 kΩ min.)
- 2: 0 - 100 mV DC (Load resistance 100 kΩ min.)
- 3: 0 - 1 V DC (Load resistance 1000 Ω min.)
- 4: 0 - 10 V DC (Load resistance 10 kΩ min.)
- 5: 0 - 5 V DC (Load resistance 5000 Ω min.)
- 6: 1 - 5 V DC (Load resistance 5000 Ω min.)
- 4W: -10 - +10 V DC (Load resistance 10 kΩ min.)
- 5W: -5 - +5 V DC (Load resistance 5000 Ω min.)
- 0: Specify voltage (See OUTPUT SPECIFICATIONS)

[2] OUTPUT 2

Current

- A: 4 - 20 mA DC (Load resistance 350 Ω max.)
 - B: 2 - 10 mA DC (Load resistance 700 Ω max.)
 - C: 1 - 5 mA DC (Load resistance 1400 Ω max.)
 - D: 0 - 20 mA DC (Load resistance 350 Ω max.)
 - E: 0 - 16 mA DC (Load resistance 430 Ω max.)
 - F: 0 - 10 mA DC (Load resistance 700 Ω max.)
 - G: 0 - 1 mA DC (Load resistance 7000 Ω max.)
 - Z: Specify current (See OUTPUT SPECIFICATIONS)
- Voltage
- Same range availability as Output 1

[3] POWER INPUT

AC Power

- B: 100 V AC
 - C: 110 V AC
 - D: 115 V AC
 - F: 120 V AC
 - G: 200 V AC
 - H: 220 V AC
 - J: 240 V AC
- DC Power
- S: 12 V DC
 - R: 24 V DC
 - V: 48 V DC

[4] OPTIONS (multiple selections)

Response Time (0 - 90 %)

blank: Standard (≤ 0.5 sec.)

/K: Fast Response (Approx. 25 msec.)

Other Options

blank: none

/Q: Option other than the above (specify the specification)

SPECIFICATIONS OF OPTION: Q (multiple selections)

COATING (For the detail, refer to our web site.)

/C01: Silicone coating

/C02: Polyurethane coating

/C03: Rubber coating

TERMINAL SCREW MATERIAL

/S01: Stainless steel

GENERAL SPECIFICATIONS

Construction: Plug-in

Connection: M3.5 screw terminals

Screw terminal: Chromated steel (standard) or stainless steel

Housing material: Flame-resistant resin (black)

Isolation: Input to output 1 to output 2 to power

Zero adjustment: 0 - 50 % of total resistance (front)

Span adjustment: 50 - 100 % of total resistance (front)

INPUT SPECIFICATIONS

Minimum span: 50 % of total resistance

Excitation: 0.5 V DC

OUTPUT SPECIFICATIONS

■ **DC Current:** 0 - 20 mA DC

Minimum span: 1 mA

Offset: Max. 1.5 times span

Load resistance: Output drive 12 V max. for Output 1;
7 V max. for Output 2

■ **DC Voltage:** -10 - +12 V DC

Minimum span: 5 mV

Offset: Max. 1.5 times span

Load resistance: Output drive 1 mA max. at ≥ 0.5 V

INSTALLATION

Power input

•**AC:** Operational voltage range: rating ± 10 %, 50/60 ± 2 Hz, approx. 3 VA

•**DC:** Operational voltage range: rating ± 10 % ripple 10 %p-p max., approx. 3 W (125 mA at 24 V)

Operating temperature: -5 to +55°C (23 to 131°F)

Operating humidity: 30 to 90 %RH (non-condensing)

Mounting: Surface or DIN rail

Weight: 400 g (0.88 lb)

PERFORMANCE in percentage of span

Accuracy: ± 0.1 %

Temp. coefficient: ± 0.015 %/°C (± 0.008 %/°F)

Line voltage effect: ± 0.1 % over voltage range

Insulation resistance: ≥ 100 M Ω with 500 V DC

Dielectric strength: 2300 V AC @ 1 minute

(input or output to power to ground)

1350 V AC @ 1 minute (input to output)

1000 V AC @ 1 minute (output 1 to output 2)

STANDARDS & APPROVALS

EU conformity:

EMC Directive

EMI EN 61000-6-4

EMS EN 61000-6-2

Low Voltage Directive

EN 61010-1

Installation Category II

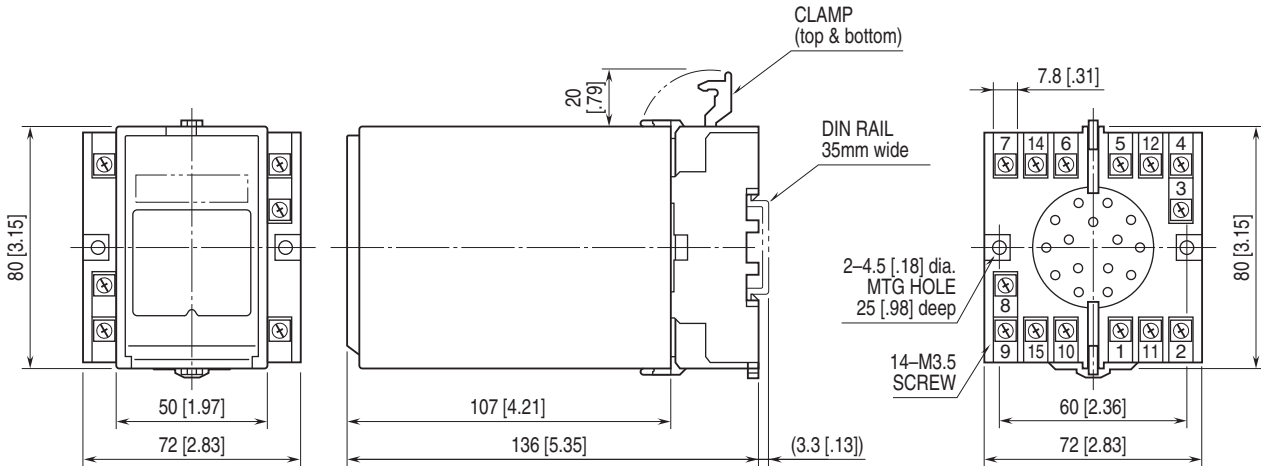
Pollution Degree 2

Input or output to power: Reinforced insulation (300 V)

Input to output: Basic insulation (300 V)

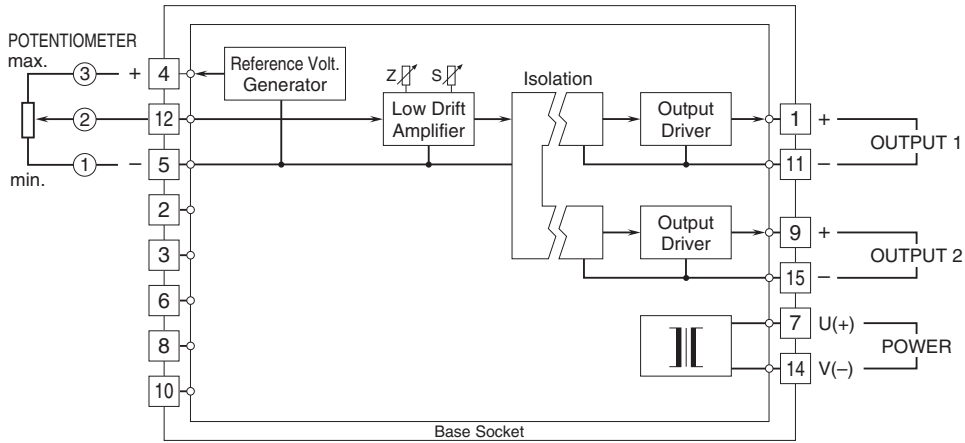
RoHS Directive


EXTERNAL DIMENSIONS & TERMINAL ASSIGNMENTS unit: mm [inch]



• When mounting, no extra space is needed between units.

SCHEMATIC CIRCUITRY & CONNECTION DIAGRAM



 Specifications are subject to change without notice.