

Space-saving Dual Output Signal Conditioners Mini-MW Series

CURRENT LOOP SUPPLY

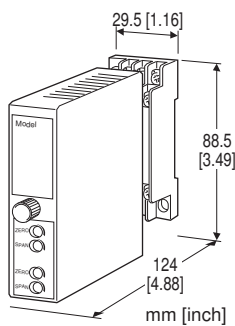
(applicable to HART signal)

Functions & Features

- Powers a 4 - 20 mA DC current loop
- Isolates and relays HART signals
- Shortcircuit protection
- High-density mounting

Typical Applications

- 2-wire HART transmitters



MODEL: W2DYH-24A[1]-[2][3]

ORDERING INFORMATION

- Code number: W2DYH-24A[1]-[2][3]
- Specify a code from below for each of [1] through [3].
(e.g. W2DYH-24AA-M2/Q)
- Specify the specification for option code /Q
(e.g. /C01/S01)

SUPPLY OUTPUT

24: 24 V DC

INPUT

Current

4 - 20 mA DC (Input resistance 250 Ω)

OUTPUT 1

Current

A: 4 - 20 mA DC (Load resistance 600 Ω max.)
225 - 600 Ω for HART communication

[1] OUTPUT 2

Y: None

Current

A: 4 - 20 mA DC (Load resistance 350 Ω max.)

[2] POWER INPUT

AC Power

M2: 100 - 240 V AC (Operational voltage range 85 - 264 V,
47 - 66 Hz)

DC Power

R: 24 V DC

(Operational voltage range 24 V ±10 %, ripple 10 %p-p max.)

R2: 11 - 27 V DC

(Operational voltage range 11 - 27 V, ripple 10 %p-p max.)

P: 110 V DC

(Operational voltage range 85 - 150 V, ripple 10 %p-p max.)

[3] OPTIONS

blank: none

/Q: With options (specify the specification)

SPECIFICATIONS OF OPTION: Q (multiple selections)

COATING (For the detail, refer to our web site.)

/C01: Silicone coating

/C02: Polyurethane coating

/C03: Rubber coating

TERMINAL SCREW MATERIAL

/S01: Stainless steel

GENERAL SPECIFICATIONS

Construction: Plug-in

Connection: M3 screw terminals (torque 0.8 N·m)

Screw terminal: Chromated steel (standard) or stainless steel

Housing material: Flame-resistant resin (black)

Isolation: Input to output 1 to output 2 to power

Overrange output: Approx. -10 to +110 %

Zero adjustment: -5 to +5 % (front)

Span adjustment: 95 to 105 % (front)

Adjustable individually for each output 1 and output 2.

SUPPLY OUTPUT

(across the terminals 1 - 4)

Output voltage: 24 - 28 V DC with no load

18 V DC min. at 20 mA

Current rating: ≤ 22 mA DC

• Shortcircuit Protection

Current limited: 30 mA max.

Protected time duration: No limit

INPUT SPECIFICATIONS

- **DC Current:** Input resistor incorporated

HART COMMUNICATION

Frequency band: 500 Hz - 10 kHz (within -10 dB)
Transmission gain: Approx. -3 dB (within 1 - 3 kHz)
 measured with 250 Ω at output
Loop impedance: 250 Ω ±10 %
Communication directions: Bidirectional
 (HART communication not available for Output 2)

INSTALLATION

Power Consumption

•AC:

Approx. 5 VA at 100 V
 Approx. 6 VA at 200 V
 Approx. 7 VA at 240 V

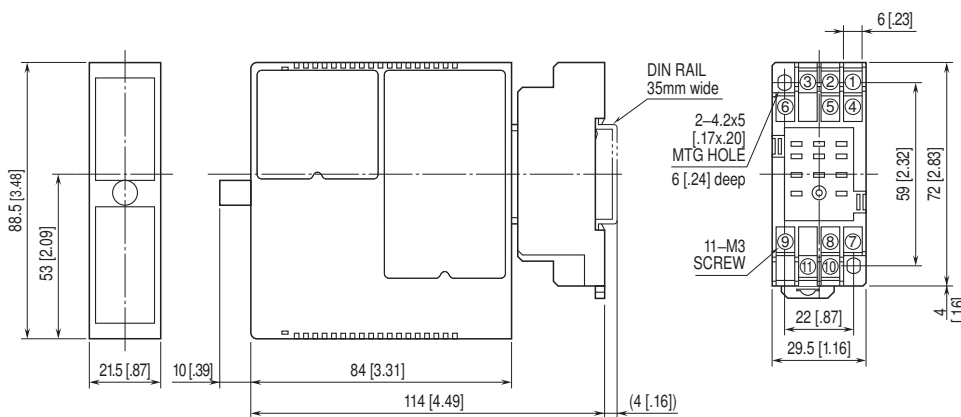
•DC: Approx. 3 W

Operating temperature: -5 to +55°C (23 to 131°F)
Operating humidity: 30 to 90 %RH (non-condensing)
Mounting: Surface or DIN rail
Weight: 200 g (0.44 lb)

PERFORMANCE in percentage of span

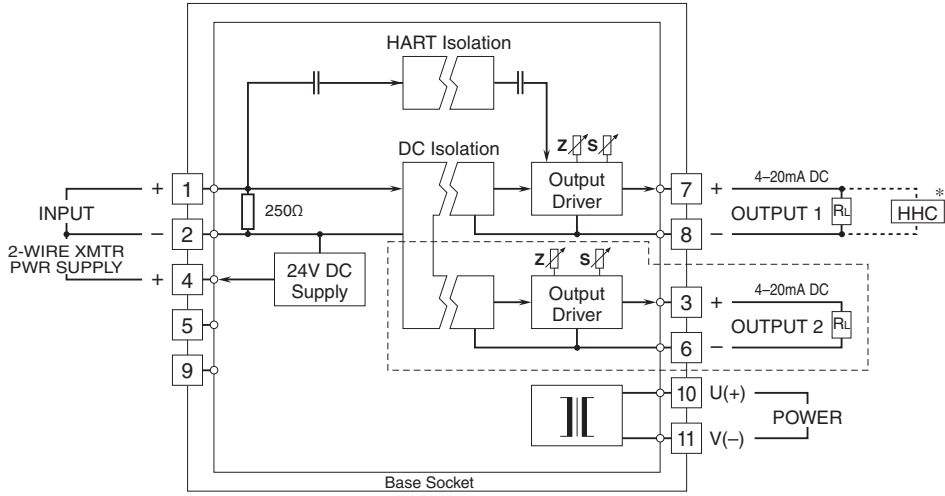
Accuracy: ±0.1 %
Temp. coefficient: ±0.015 %/°C (±0.008 %/°F)
Response time
 Output signal 1: ≤ 0.5 sec. (0 - 90 %)
 Output signal 2: ≤ 0.2 sec. (0 - 90 %)
Line voltage effect
Supply output: ±3 % over voltage range
Output signal: ±0.1 % over voltage range
Insulation resistance: ≥ 100 MΩ with 500 V DC
Dielectric strength: 2000 V AC @1 minute (input to output
 1 to output 2 to power to ground)

EXTERNAL DIMENSIONS & TERMINAL ASSIGNMENTS unit: mm [inch]



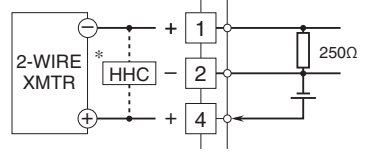
• When mounting, no extra space is needed between units.

SCHEMATIC CIRCUITRY & CONNECTION DIAGRAM

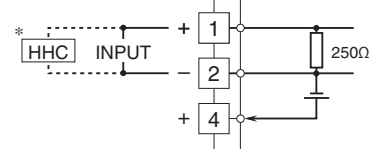


*Hand-held communicator
 Note: The section enclosed by broken line is only with 2nd output option.

■ When Used as DC Supply



■ When Used as Isolator



Specifications are subject to change without notice.