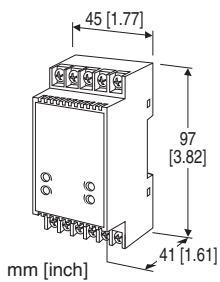


Terminal Block Dual Output Signal Conditioners W5-UNIT

POTENTIOMETER TRANSMITTER

Functions & Features

- Provides two isolated DC outputs proportional to a potentiometer or slidewire position input
- Constant voltage excitation
- Two independent output ranges
- Four-way isolation (input to output 1 to output 2 to power)
- Fast response type available
- High-density mounting



MODEL: W5MS-[1][2]-[3][4]

ORDERING INFORMATION

- Code number: W5MS-[1][2]-[3][4]
- Specify a code from below for each of [1] through [4].
(e.g. W5MS-A6-R/K/Q)
- Special output ranges (For codes Z & 0)
- Specify the specification for option code /Q
(e.g. /C01/V01/S01)

INPUT

Total resistance 100 Ω - 10 kΩ

[1] OUTPUT 1

Current

- A: 4 - 20 mA DC (Load resistance 550 Ω max.)
- B: 2 - 10 mA DC (Load resistance 1100 Ω max.)
- C: 1 - 5 mA DC (Load resistance 2200 Ω max.)
- D: 0 - 20 mA DC (Load resistance 550 Ω max.)
- E: 0 - 16 mA DC (Load resistance 685 Ω max.)
- F: 0 - 10 mA DC (Load resistance 1100 Ω max.)
- G: 0 - 1 mA DC (Load resistance 11 kΩ max.)
- Z: Specify current (See OUTPUT SPECIFICATIONS)

Voltage

- 1: 0 - 10 mV DC (Load resistance 10 kΩ min.)
- 2: 0 - 100 mV DC (Load resistance 100 kΩ min.)
- 3: 0 - 1 V DC (Load resistance 100 Ω min.)
- 4: 0 - 10 V DC (Load resistance 1000 Ω min.)
- 5: 0 - 5 V DC (Load resistance 500 Ω min.)

- 6: 1 - 5 V DC (Load resistance 500 Ω min.)
- 4W: -10 - +10 V DC (Load resistance 2000 Ω min.)
- 5W: -5 - +5 V DC (Load resistance 1000 Ω min.)
- 0: Specify voltage (See OUTPUT SPECIFICATIONS)

[2] OUTPUT 2

Same range availability as Output 1

Y: None

[3] POWER INPUT

AC Power

M: 85 - 264 V AC (Operational voltage range 85 - 264 V, 47 - 66 Hz)

(CE not available)

DC Power

R: 24 V DC

(Operational voltage range 24 V ±10 %, ripple 10 %p-p max.)

R2: 11 - 27 V DC

(Operational voltage range 11 - 27 V, ripple 10 %p-p max.)

(CE not available)

P: 110 V DC

(Operational voltage range 85 - 150 V, ripple 10 %p-p max.)

(CE not available)

[4] OPTIONS (multiple selections)

Response Time (0 - 90 %)

blank: Standard (≤ 0.5 sec.)

/K: Fast Response (Approx. 25 msec.)

Other Options

blank: none

/Q: Option other than the above (specify the specification)

SPECIFICATIONS OF OPTION: Q (multiple selections)

COATING (For the detail, refer to our web site.)

/C01: Silicone coating

/C02: Polyurethane coating

/C03: Rubber coating

ADJUSTMENT

/V01: Multi-turn fine adjustment

TERMINAL SCREW MATERIAL

/S01: Stainless steel

GENERAL SPECIFICATIONS

Construction: Terminal block

Connection

Input: M3.5 screw terminals (torque 0.8 N·m)

Output & power: M3 screw terminals (torque 0.8 N·m)

Screw terminal: Nickel-plated steel (standard) or stainless steel

Housing material: Flame-resistant resin (black)

Isolation: Input to output 1 to output 2 to power
Overrange output: Approx. -10 to +120 % at 1 - 5 V
Zero adjustment (front)
Output 1: 0 - 30 % of the total resistance (Zero for the input potentiometer can be adjusted with the Zero Adj. for the Output 1)
Output 2: -2 to +2 %
Span adjustment (front)
Output 1: 70 - 100 % of the total resistance (Span for the input potentiometer can be adjusted with the Span Adj. for the Output 1)
Output 2: ± 98 to 102 %

STANDARDS & APPROVALS

EU conformity:
EMC Directive
EMI EN 61000-6-4
EMS EN 61000-6-2
RoHS Directive

INPUT SPECIFICATIONS

Minimum span: 70 % of total resistance
Excitation: 0.5 V DC

OUTPUT SPECIFICATIONS

■ **DC Current:** 0 - 20 mA DC
Minimum span: 1 mA
Offset: Max. 1.5 times span
Load resistance: Output drive 11 V max.
■ **DC Voltage:** -10 - +12 V DC
Spans: Min. 5 mV, max. 20 V
Offset: Max. 1.5 times span
Load resistance: Output drive 10 mA max.; 5 mA for negative voltage output; at ≥ 0.5 V

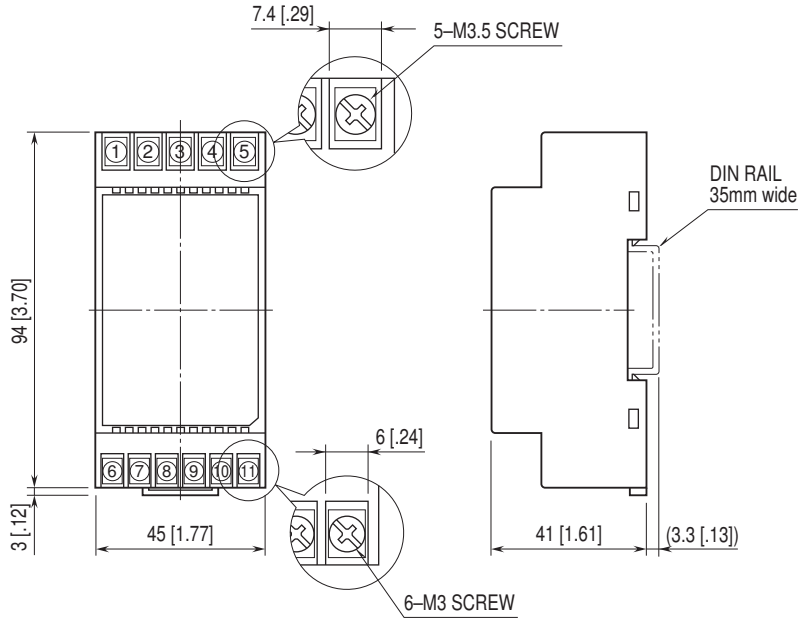
INSTALLATION

Power Consumption
• **AC:**
Approx. 4 VA at 100 V
Approx. 5 VA at 200 V
Approx. 6 VA at 264 V
• **DC:** Approx. 3 W
Operating temperature: -5 to +55°C (23 to 131°F)
Operating humidity: 0 to 90 %RH (non-condensing)
Mounting: DIN rail
Weight: 130 g (0.29 lb)

PERFORMANCE in percentage of span

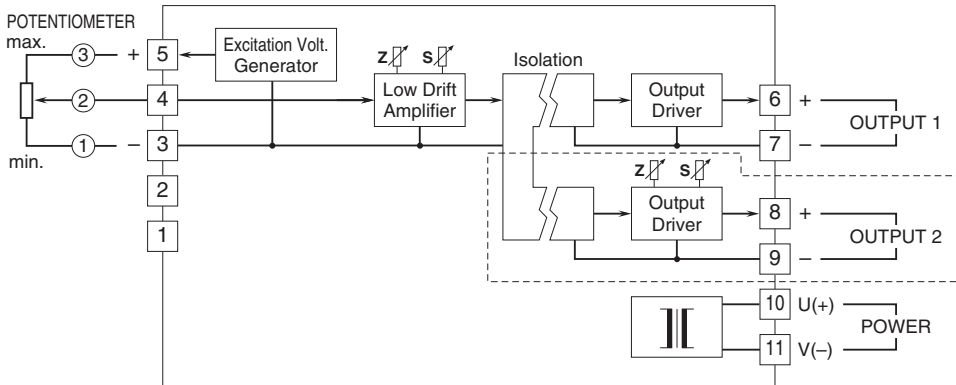
Accuracy: ± 0.1 %
Temp. coefficient: ± 0.015 %/°C (± 0.008 %/°F)
Line voltage effect: ± 0.1 % over voltage range
Insulation resistance: ≥ 100 M Ω with 500 V DC
Dielectric strength:
2000 V AC @1 minute (input to output 1 or output 2 to power to ground)
1000 V AC @1 minute (output 1 to output 2)

EXTERNAL DIMENSIONS & TERMINAL ASSIGNMENTS unit: mm [inch]




• When mounting, no extra space is needed between units.

SCHEMATIC CIRCUITRY & CONNECTION DIAGRAM



Note 1: The section enclosed by broken line is only with 2nd output option.
 Note 2: DO NOT connect to the terminals 1 – 2.

 Specifications are subject to change without notice.