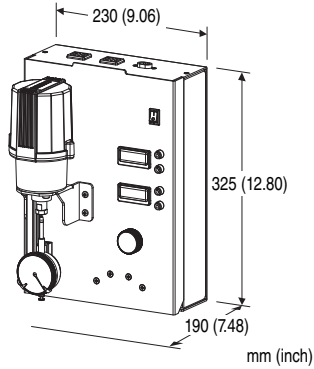


## Educational Series

### 1/1000 RESOLUTION DEMO KIT

#### Functions & Features

- Demonstrates the performance of STEPTOP Electronic Actuator MSP5 driven by a stepping motor.



### MODEL: MSPKITA[1]

#### ORDERING INFORMATION

- Code number: MSPKITA[1]

Specify a code from below for [1].

(e.g. MSPKITA/TR)

#### [1] OPTIONS

- ◆ TR30 set for MSPKITA

**Blank:** Without

**/TR:** With

(Use in Japan only since it includes wireless router for Japan only.)

#### INSTALLATION

**Power input:** 100 - 240 V AC

**Power cable:** For power supply above 125 V AC, use a cable with a plug that fits the outlet and complies with the voltage in your area (rated current of 3A or above).

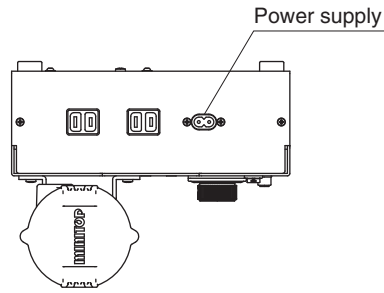
**Operating temperature:** 0 to 35°C (32 to 95°F)

**Operating humidity:** 30 to 90 %RH (non-condensing)

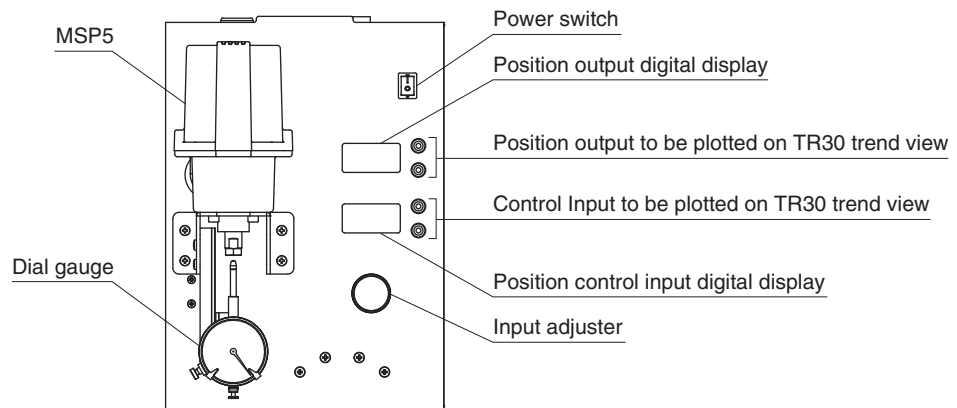
**Weight:** Approx. 7.0 kg (15.43 lb) including the housing box  
+Approx. 1.2 kg (2.65 lb) with TR30 set

## EXTERNAL VIEW

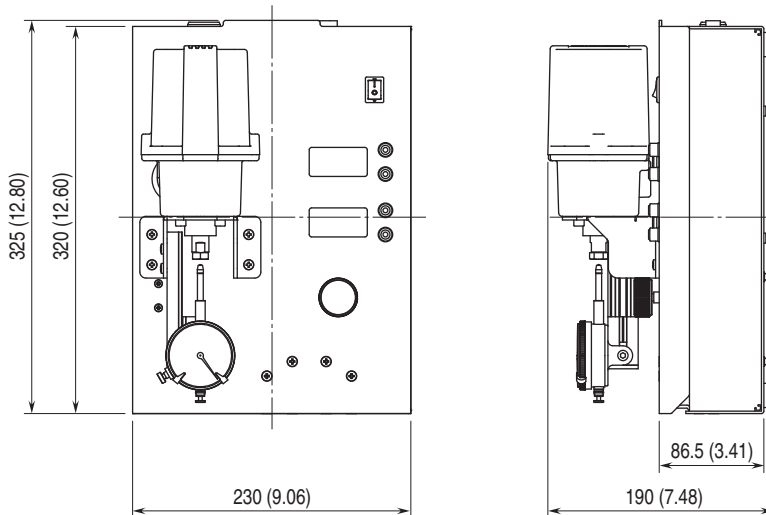
### ■ TOP VIEW



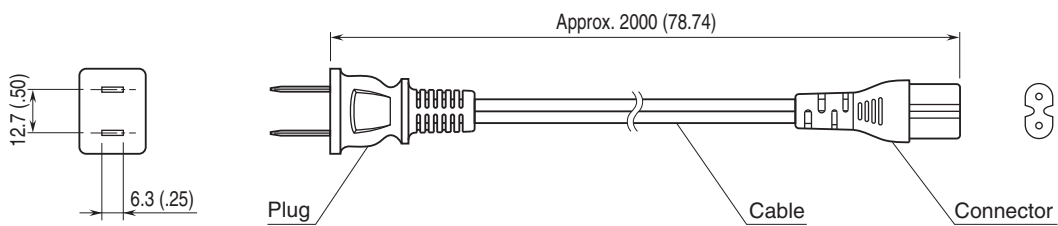
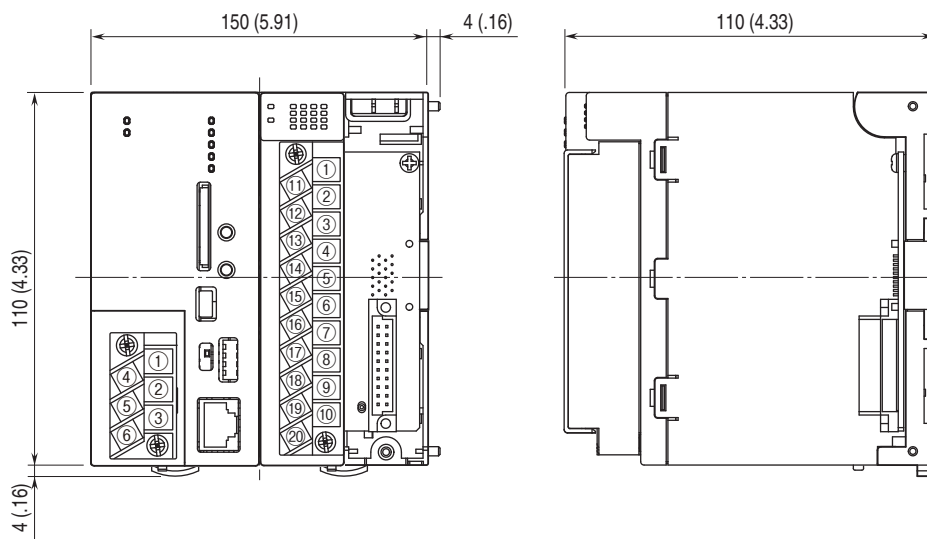
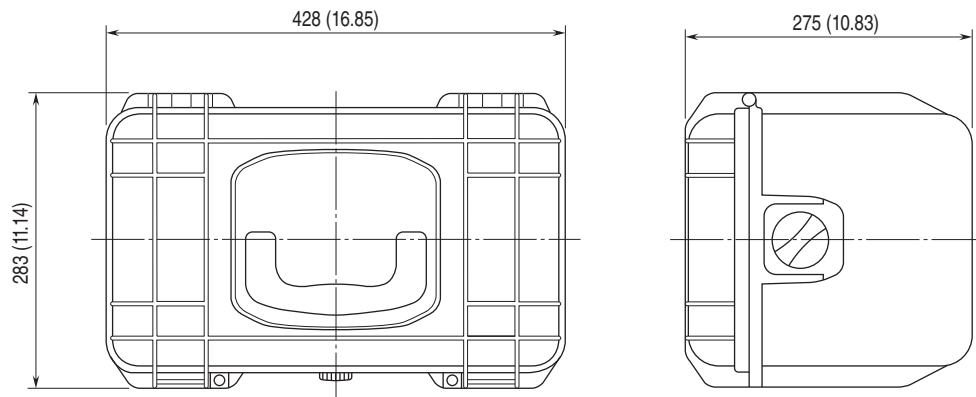
### ■ FRONT VIEW



## DIMENSIONS unit: mm (inch)



# MODEL: MSPKITA



Specifications are subject to change without notice.