

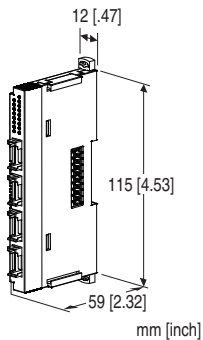
Remote I/O R8 Series

DISCRETE INPUT MODULE

(4 points)

Functions & Features

- Discrete input module (positive common) with 4 channels



MODEL: R8-DA4A[1]

ORDERING INFORMATION

- Code number: R8-DA4A[1]
Specify a code from below for [1].
(e.g. R8-DA4A/Q)
- Specify the specification for option code /Q
(e.g. /C01)

[1] OPTIONS

blank: none

/Q: With options (specify the specification)

SPECIFICATIONS OF OPTION: Q

COATING (For the detail, refer to our web site.)

/C01: Silicone coating

/C02: Polyurethane coating

GENERAL SPECIFICATIONS

Connection

- Input:** 4-pin e-CON connector
Unit side connector XN2D-1474-S002 (Omron)
Recommended cable side connector XN2A-1470 (Omron)
Applicable wire size: 0.08 - 0.5 mm² (AWG28 - 20)
Outer sheath diameter: max. 1.5 dia
(The cable connector is not included in the package.
Refer to the specifications of the product.)
- Excitation supply, internal bus:**
Connected to internal bus connector
- Internal power:** Supplied from internal bus connector
- Isolation:** Input or exc. supply to internal bus or internal

power

Module address: With rotary switch

Terminating resistor: Built-in (DIP Switch, default: disable)
Status indicator: Bi-color (red/green) LED; Refer to the instruction manual.

Discrete input status indicators: Green LED; Refer to the instruction manual.

INPUT SPECIFICATIONS

Common: Positive common (NPN)

Number of inputs: 4

Rated input voltage: 24 V DC $\pm 10\%$; ripple 5 %p-p max.

ON voltage / current: ≥ 15 V DC (input - 24V) / ≥ 2.3 mA

OFF voltage / current: ≤ 5 V DC (input - 24V) / ≤ 1 mA

Input current: ≤ 4.5 mA per point at 24 V DC

Input resistance: Approx. 5.7 k Ω

ON delay: ≤ 2.0 msec.

OFF delay: ≤ 2.0 msec.

INSTALLATION

Max. current consumption: 80 mA

Operating temperature: -10 to +55°C (14 to 131°F)

Operating humidity: 30 to 90 %RH (non-condensing)

Atmosphere: No corrosive gas or heavy dust

Mounting: DIN rail

Weight: 60 g (2.12 oz)

PERFORMANCE

Data allocation: 1

Module addresses in use: 1

Power output (input connector): Rated current 0.5 A DC per channel (rated current 3 A for internal fuse (slow blow fuse i^2t (A²sec.) max. 0.31); Total: 2 A DC

Max. consumption current: 80 mA

Insulation resistance: ≥ 100 M Ω with 500 V DC

Dielectric strength: 1500 V AC @ 1 minute

(input or exc. supply to internal bus or internal power to ground)

STANDARDS & APPROVALS

EU conformity:

EMC Directive

EMI EN 61000-6-4

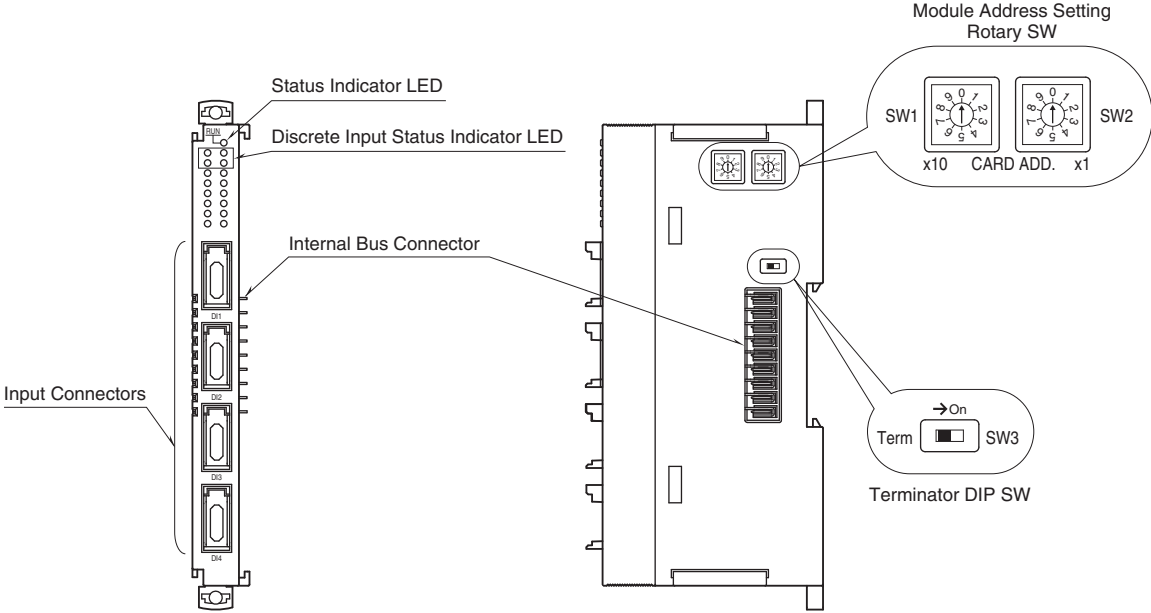
EMS EN 61000-6-2

RoHS Directive

EXTERNAL VIEW

■ FRONT VIEW

■ SIDE VIEW

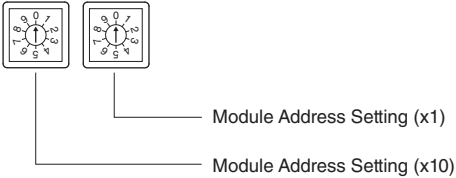


OPERATING MODE SETTING

(*) Factory setting

■ Module Address

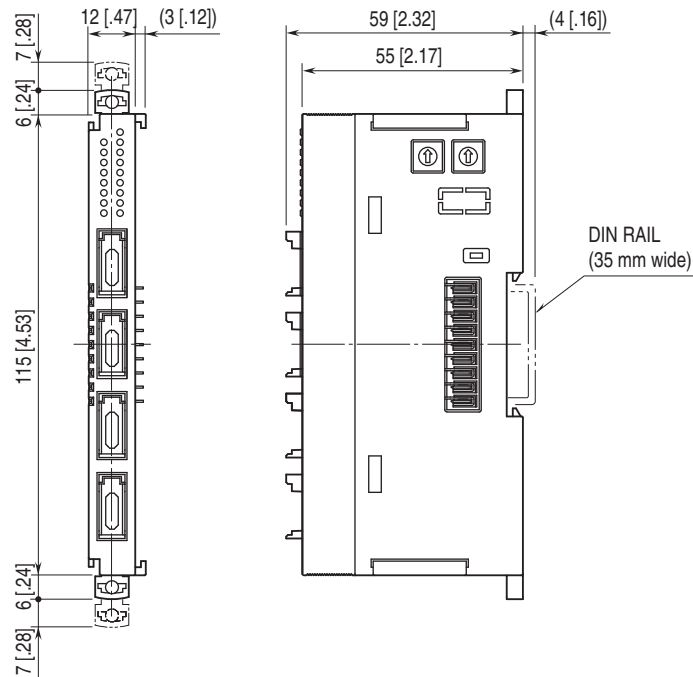
The left switch determines the tenth place digit, while the right switch does the ones place digit of the address. Address is selected between 0 to 31. (Factory setting: 0)



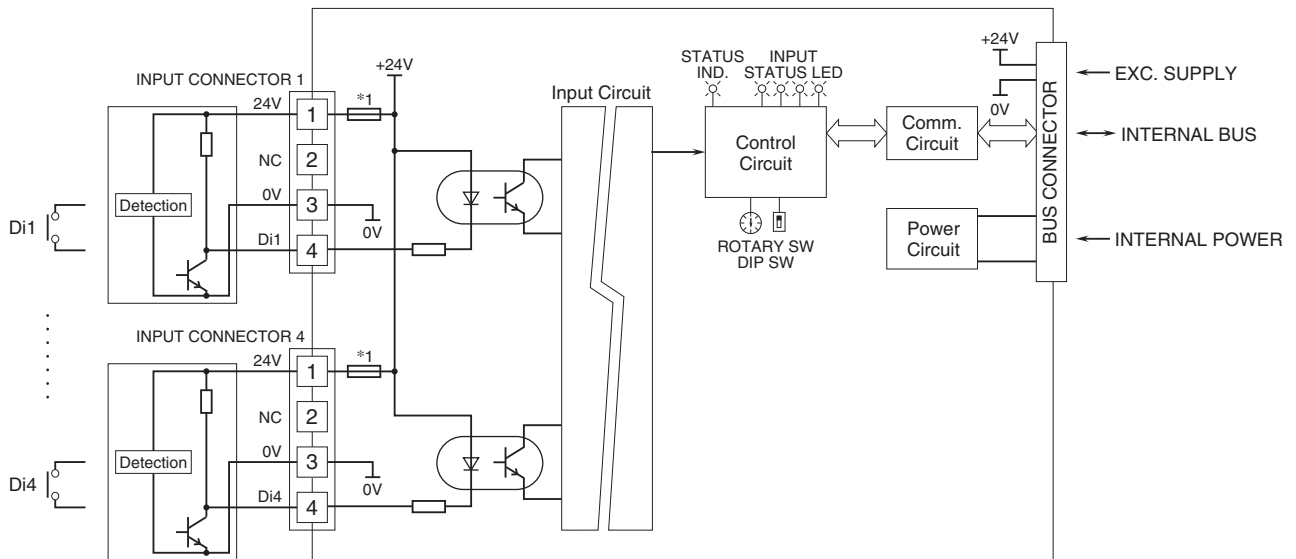
■ Terminator DIP SW

| | |
|---------------|-----|
| TERMINATOR SW | SW3 |
| Without (*) | OFF |
| With | ON |

EXTERNAL DIMENSIONS unit: mm [inch]



SCHEMATIC CIRCUITRY & CONNECTION DIAGRAM



*1. Fuse in not replaceable.
 Note: For dry contact input, connect it across the terminals 3 and 4.



Specifications are subject to change without notice.