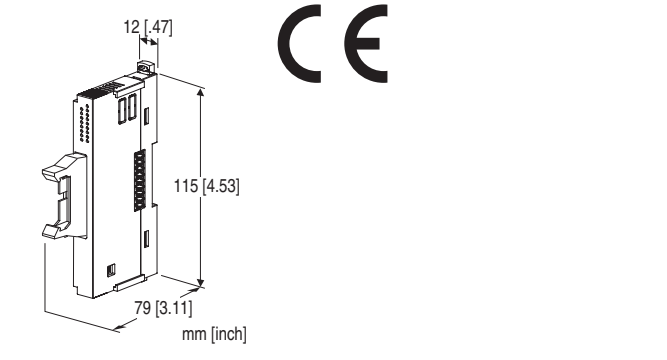


Remote I/O R8 Series

DISCRETE INPUT MODULE, 16 points

Functions & Features

- 16 channels for discrete input, compact size remote I/O module
- 20 pin MIL connector



MODEL: R8-DAM16A[1]

ORDERING INFORMATION

- Code number: R8-DAM16A[1]
Specify a code from below for [1].
(e.g. R8-DAM16A/Q)
- Specify the specification for option code /Q
(e.g. /C01)

[1] OPTIONS

blank: none

/Q: With options (specify the specification)

SPECIFICATIONS OF OPTION: Q

COATING (For the detail, refer to our web site.)

/C01: Silicone coating

/C02: Polyurethane coating

GENERAL SPECIFICATIONS

Connection

- **Input:** 20-pin MIL connector
PWB connector (mounted)
Recommended socket XG5N-201 (Omron)
Recommended contact XG5W-0231 (Omron)
Applicable wire size AWG22, number of conductor 17, diameter of conductor 0.16 mm (The socket and contact are not included in the package. Refer to the specifications of the product.)
- **Excitation supply, internal bus:**
Connected to internal bus connector
- **Internal power:** Supplied from internal bus connector

Isolation: Input or exc. supply to internal bus or internal power

Module address: With rotary switch

Terminating resistor: Built-in (DIP Switch, default: disable)

Status indicator: Bi-color (red/green) LED; Refer to the instruction manual.

Discrete input status indicators: Green LED; Refer to the instruction manual.

INPUT SPECIFICATIONS

Common: Positive common (NPN)

Number of input: 16 points

Maximum inputs applicable at once: No limit (at 24 V DC)

Rated input voltage: 24 V DC $\pm 10\%$; ripple 5 %p-p max.

ON voltage / current: ≥ 15 V DC (input - 24 V) / ≥ 2.3 mA

OFF voltage / current: ≤ 5 V DC (input - 24 V) / ≤ 1 mA

Input current: ≤ 4.5 mA per point at 24 V DC

Input resistance: Approx. 5.7 k Ω

ON delay: ≤ 2.0 msec.

OFF delay: ≤ 2.0 msec.

INSTALLATION

Max. current consumption: 100 mA

Operating temperature: -10 to +55°C (14 to 131°F)

Operating humidity: 30 to 90 %RH (non-condensing)

Atmosphere: No corrosive gas or heavy dust

Mounting: DIN rail

Weight: 65 g (2.3 oz)

PERFORMANCE

Data allocation: 1

Module addresses in use: 1

Power output (input connector): Rated current 3 A DC (rated current 3 A for internal fuse (slow blow fuse i^2t (A²sec.) max. 5.04)

Insulation resistance: ≥ 100 M Ω with 500 V DC

Dielectric strength: 1500 V AC @ 1 minute

(input or exc. supply to internal bus or internal power to ground)

STANDARDS & APPROVALS

EU conformity:

EMC Directive

EMI EN 61000-6-4

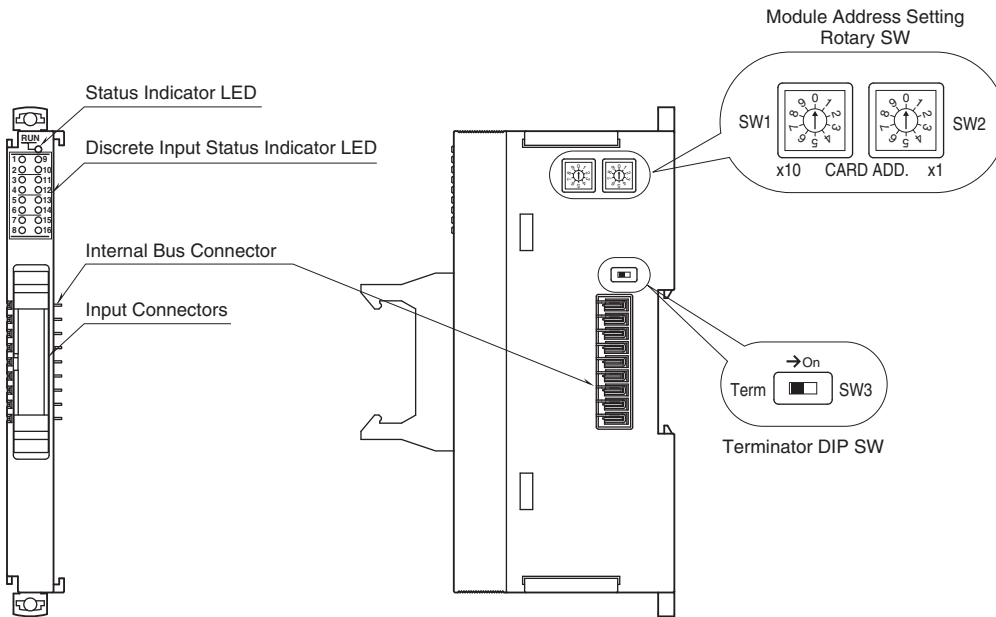
EMS EN 61000-6-2

RoHS Directive

EXTERNAL VIEW

FRONT VIEW

SIDE VIEW



OPERATING MODE SETTING

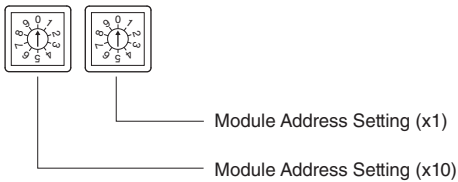
(*) Factory setting

Module Address

The left switch determines the tenth place digit, while the right switch does the ones place digit of the address.

Address is selected between 0 to 31.

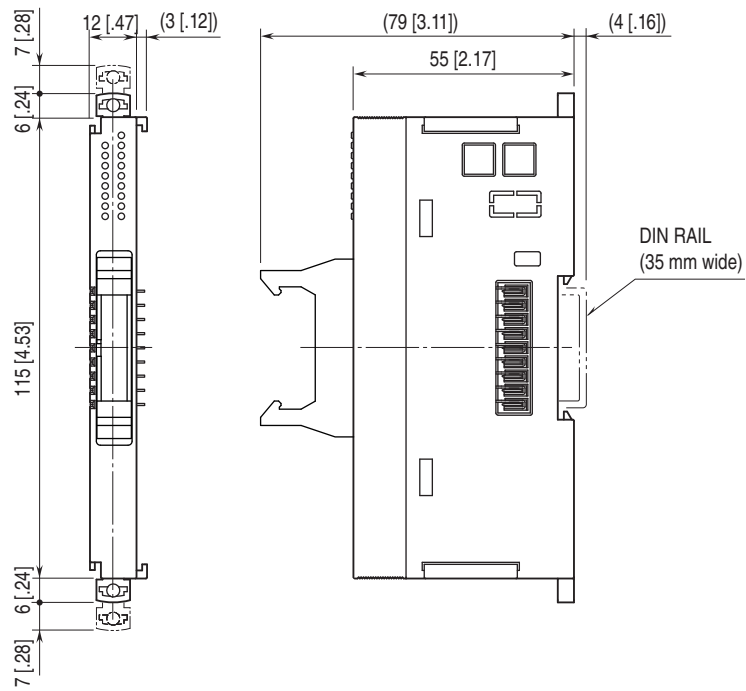
(Factory setting: 0)



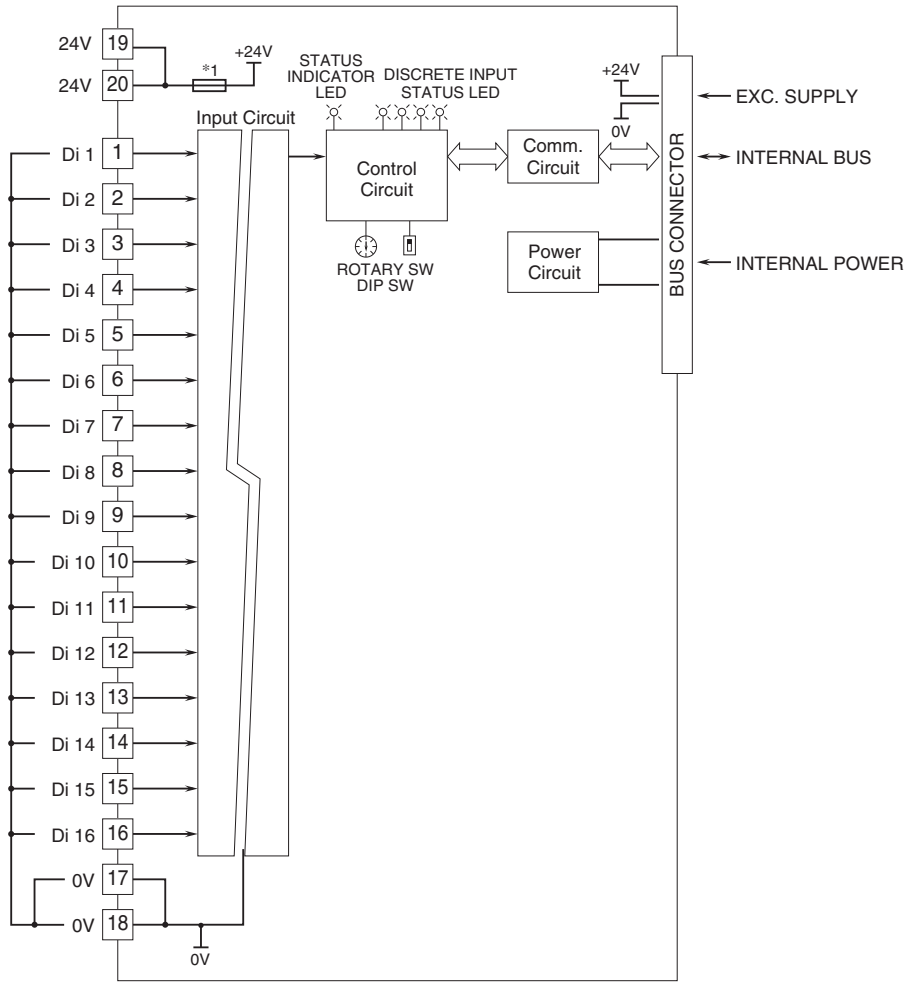
Terminator DIP SW

TERMINATOR SW	SW3
Without (*)	OFF
With	ON

EXTERNAL DIMENSIONS unit: mm [inch]

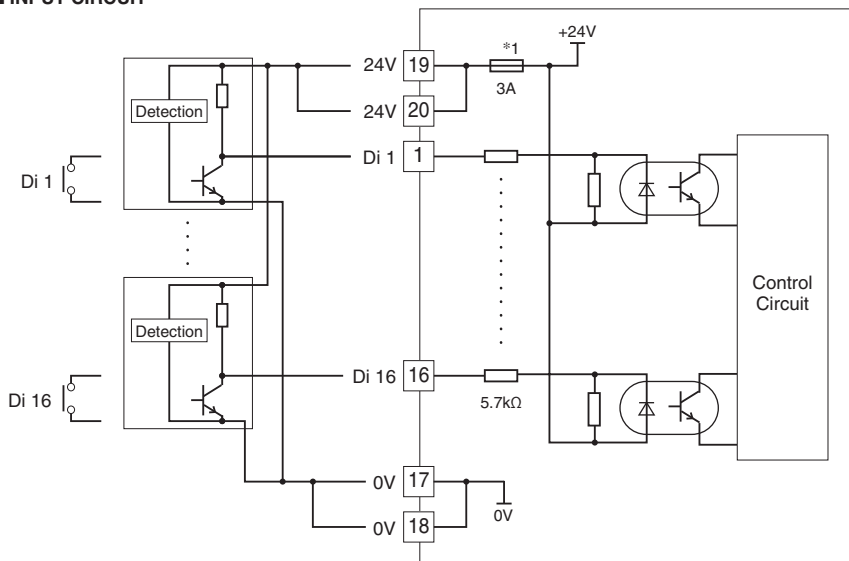


SCHEMATIC CIRCUITRY & CONNECTION DIAGRAM



*1. Fuse is not replaceable.

■ INPUT CIRCUIT





Specifications are subject to change without notice.